

# GLA-TR-100-A by Steinel

## Automatic ON Power Pack



Item No.	63103
Voltage	120/230/277 VAC, 50/60 Hz
Output	24 VDC +/- 5% 250 mA (class 2)
Load	20 A @ 120/230/277 VAC 50/60 Hz - ballast and incandescent load 1 hp @ 120-240 VAC, 50/60 Hz 15 A @ 120 VAC, 50/60 Hz - receptacle load
Environment	IP20 rated, -4°F to +130°F, -20°C to +55°C
Dimensions (LxWxD)	2.4 x 3.2 x 1.5 in 60 x 81 x 39 mm
Threaded Nipple Dimensions	.83 x .83 in 21 x 21 mm
Warranty	5 years
Certifications	C-UL-US Listed RoHS Compliant, UL 2043 Plenum Rated

The TR 100-A is a full featured power pack that provides power to STEINEL low voltage occupancy sensors and other control devices. They are Class 2 output power supplies, suitable for parallel interconnection.

The power packs switch the load(s) ON and OFF in response to signals from the control devices.

All wires have UL Style 1659, 250°C, 600V insulation:

- 18 AWG: Black for Line and White for Neutral
- 12 AWG: two Red wires for normally open dry contact from the 20A relay
- 22 AWG: 4 low voltage conductors: Red (+24VDC), Black (-24VDC), Blue (Control Input), Gray (Momentary Switch Input)

### Key Features:

- Automatic ON / OFF operation
- LED status indicator
- Switching is performed at, or close to, the zero-cross of the AC waveform in order to improve relay performance
- 1/2 inch threaded nipple and two lock nuts are used to secure to a standard 1/2" knockout
- Low voltage momentary switch input allows for manual control
- Power supply provides up to 250mA of 24VDC to low voltage controls
- 15 A receptacle load control rated

120/230/  
277V

Voltage

UL  
2043

UL 2043 Plenum Rated

IP20

IP 20 Rated

20 Amp  
1 Hp

Load

Auto/On

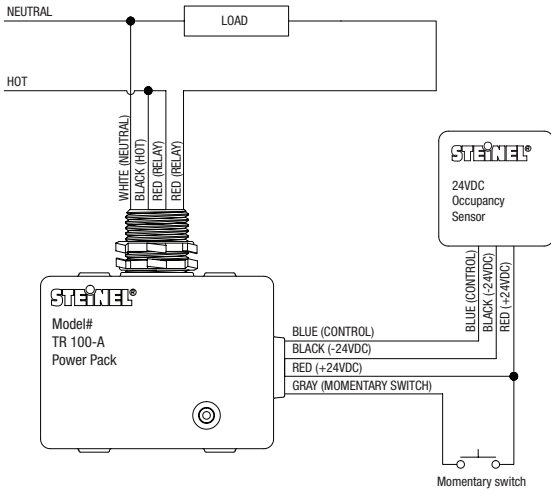
Operating Modes

# GLA-TR-100-A by Steinel

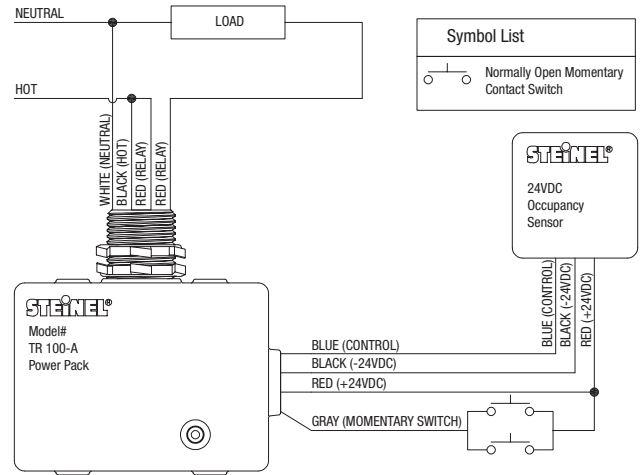
Automatic ON Power Pack



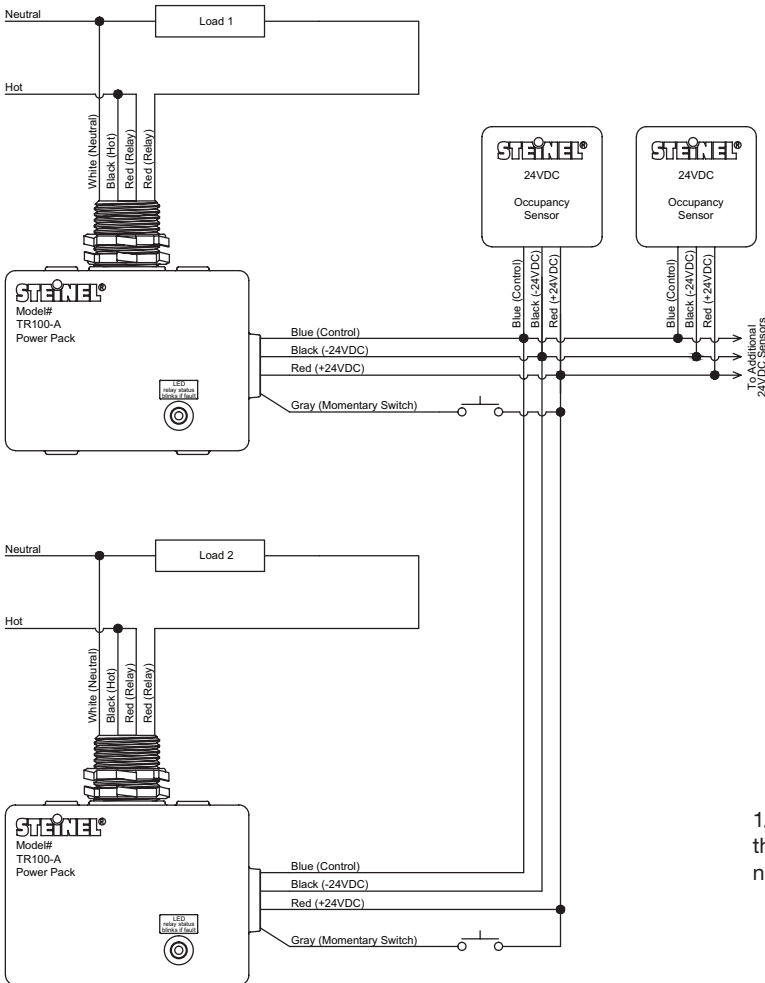
## Wiring



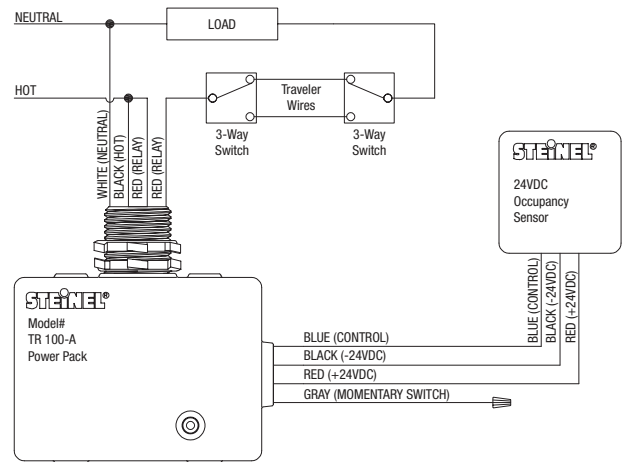
## Low Voltage 3-Way Wiring



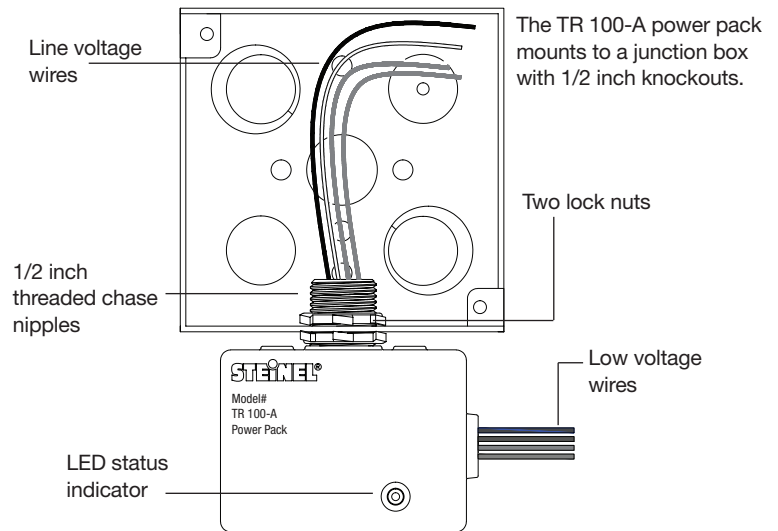
## Low Voltage Automatic ON A/B Switching



## Line Voltage 3-Way Wiring



## Product Overview & Mounting



Symbol List	
	Normally Open Momentary Contact Switch