



**.AV Framework™**  
Design Guide

# Connect. Configure. Go.

## AV Framework™

Set up any space quickly, affordably, and completely—scheduling, signage, wired and wireless presentation capability—with just a web browser.



Built in to Crestron products and built to provide a consistent, simple experience for everyone—from deployment to presentation. That's .AV Framework™.

### Built for speed and scalability.

- Open a web browser, configure a space.
- Built into a full range of Crestron products.
- No programming, No special software.
- Roll out systems quickly and easily at scale.

### Built for the bottom line.

- Deploy and update without spending limited budget on programming.
- Optimize your resources by empowering staff to support.
- Gain more business by covering more spaces.
- Maximize budget without sacrificing effectiveness.

### Built for consistency.

- Automatically generate a simple consistent GUI.
- Every room works the same and provides the same easy access.
- Streamlined collaboration and simple updates.



## Control

**Control a full room system, displays, endpoints, media player – With just configuration**

## Share

**Present content wired or wirelessly from up to 8 inputs**

## Display

**Switch and display content from up to 8 different sources on up to 4 different displays.**

## Manage

**It's simple to manage and update devices from just a web browser**

# Products Supported by .AV Framework

AVF Controllers

Touch Screens & Interfaces

Wireless Presentation

Room Scheduling

I/O Modules

Switchers, Transmitters and  
Receivers

Cable Management

Occupancy Sensor

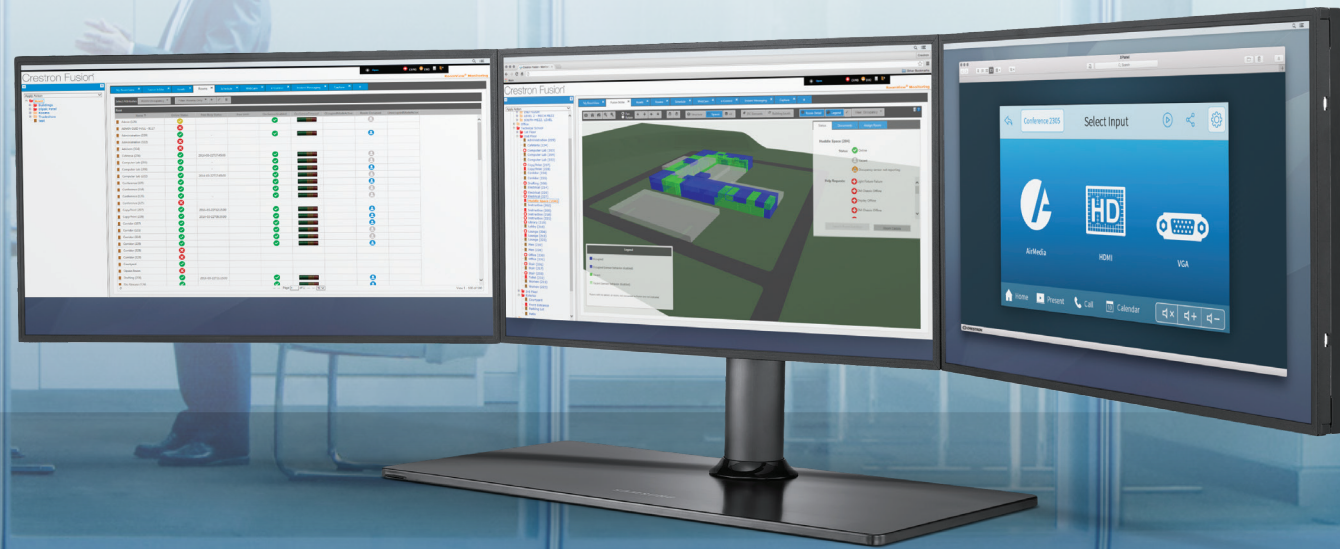
3rd Party Devices

For full list of support product model numbers visit:  
<https://www.crestron.com/en-US/Products/Featured-Solutions/AV-Framework>



# Crestron FUSION<sup>®</sup>

## Monitoring & Scheduling Software



Crestron integrates systems and technologies that typically operate in silos, so they work together as a single system. Crestron Fusion monitoring and scheduling software adds a layer of intelligence to turn an organization into a high-performance enterprise. It's easier than ever to get all the powerful tools clients really want, including network room scheduling, remote help desk, global device monitoring, and data collection and reporting.

### Room Scheduling

Crestron Fusion network room scheduling integrates with popular calendaring programs you're already using to improve workflow and room usage.

### Help Desk and Support

AV and IT staff get alerts to remotely resolve events quickly to maximize uptime.

### Global Device Monitoring

Real-time alerts allow support staff to proactively manage events, so rooms are fully functional and ready for the next meeting.

### Data and Reporting

Collecting data and generating reports helps organizations optimize investments in people, spaces, and technology.

# Crestron VIRTUAL CONTROL

Crestron® Virtual Control (VC-4 Series) is a server-based control platform for enterprise applications that can supplant individual hardware-based Crestron control systems. The platform runs programs to control multiple rooms over the network from a single centralized location.

## Key Features

- Offers a centralized server-based alternative to individual hardware-based control systems in every room
- Provides a virtual control system for each room over a network
- Streamlines deployment, maintenance, and management
- Supports Crestron XiO Cloud™ cloud-based deployment, management, and monitoring
- Employs enterprise-grade security to ensure maximum reliability and privacy

**NOTE:** A Crestron XiO Cloud™ service account is required to license the VC-4 server. A single device license must be purchased for each VC-4 server in Crestron XiO Cloud.



# Budget Friendly

## USE CASE

- Deploy this simple design across and enterprise or universities that is easy to use by end users such as professors, teachers and students

## BENEFITS

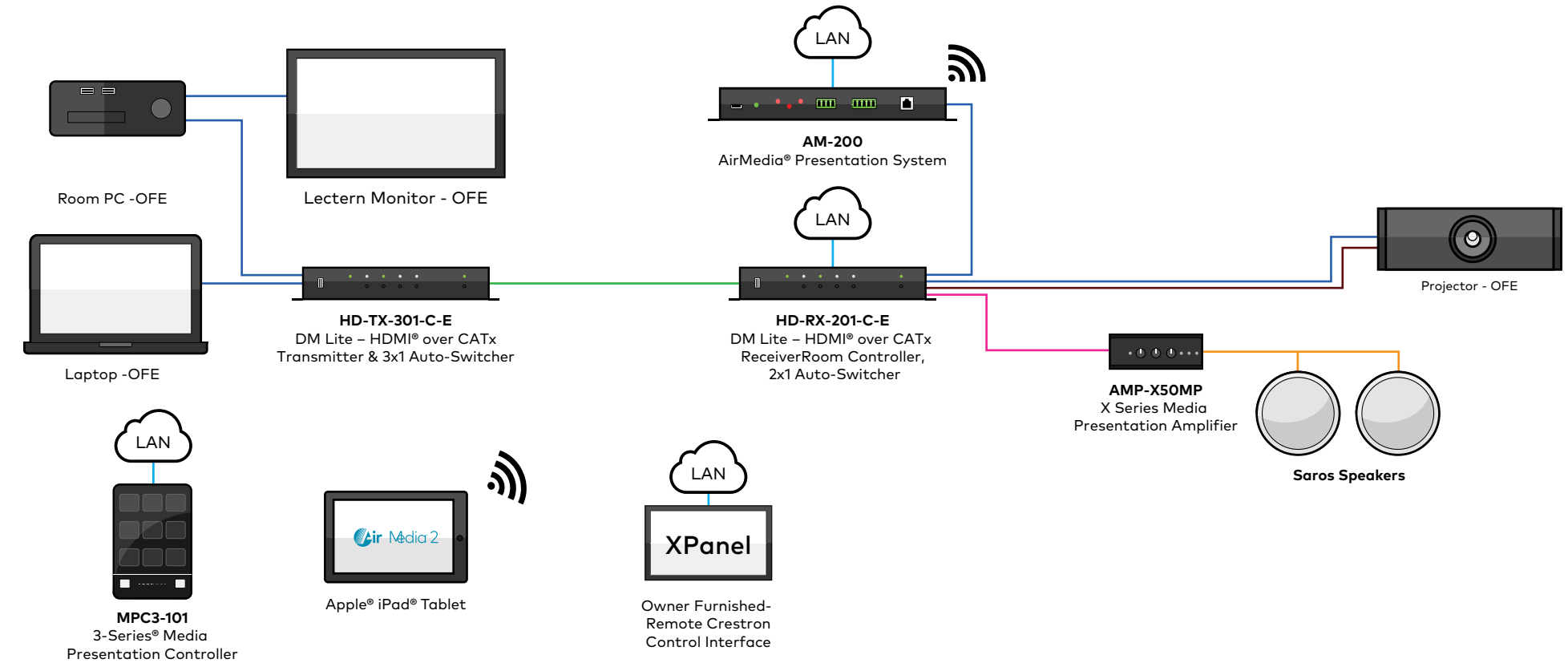
- Extend up to 4K signal using DM Lite® endpoints
- Easily source and control content with the MPC3-101 with built in 3-Series® control processor
- Hear videos and other content using native brand ceiling speakers, AMP-X50MP and DSP-860
- Wirelessly present using the AM-200
- Enterprise grade security

## CONCLUSION

- Easy to use, budget friendly design that is completely web configurable with minimal SKUs

## BOM EXAMPLE

QNTY	PRODUCT NAME
1	AM-200
1	AMP-X50MP
1	HD-MD-400-C-E KIT
1	MPC3-101
2	SAROS ICE6T-W-T-EACH



Key: ● Cat5/6 ● HDMI® Cables ● DM Lite™ Cables ● Speaker ● Audio ● RS-232

# Single Display

## USE CASE

- Scale this single display design across an entire enterprise or university for a simple solution that is easy to configure and manage

## BENEFITS

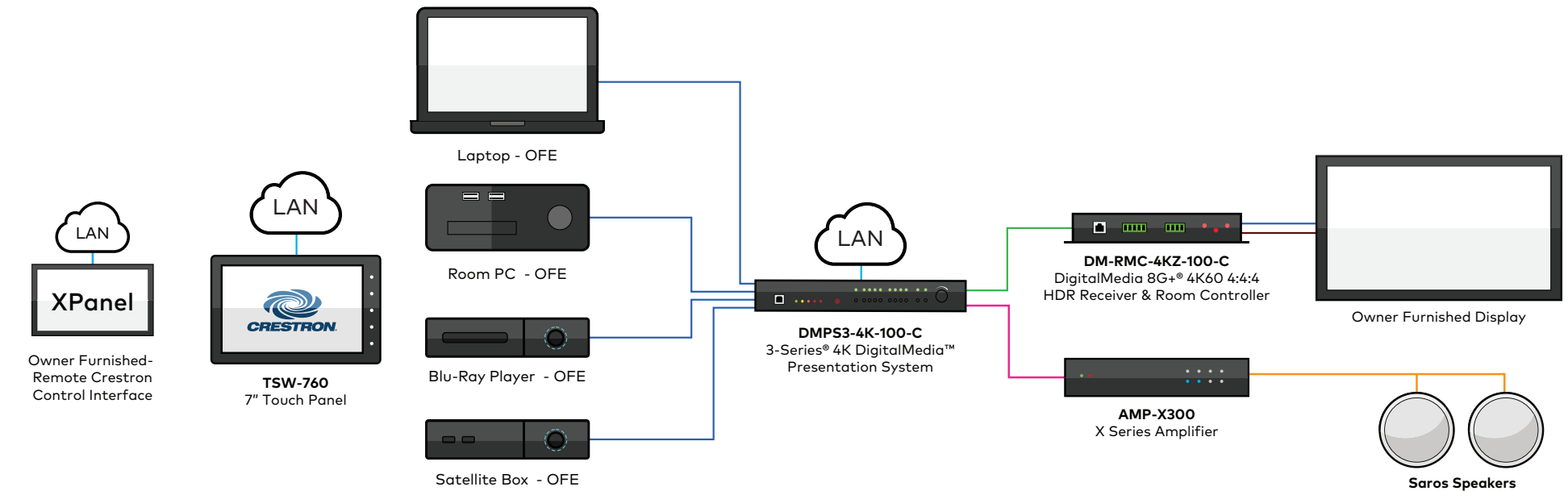
- Switch content from different owner furnished sources using the all in one DMPS presentation switcher
- Easily source and control content with a commercial grade and purpose built touch screen
- Extend up to 4K signal using DM Lite® endpoints
- Hear videos and other content using native brand ceiling speakers
- Managed and provisioned via Crestron XiO Cloud™ service
- Enterprise grade security

## CONCLUSION

- Scalable single display design that is completely web configurable and easily deployed, managed and monitored

## BOM EXAMPLE

QNTY	PRODUCT NAME
1	AMP-X300
1	DMPS3-4K-100C
1	DM-RMC-4KZ-100-C
4	SAROS IC6T-W-T-EACH
1	TSW-760
1	TSW-760-TTK



Key: ● Cat5/6 ● HDMI® Cables ● DM™ Cables ● Speaker ● Audio ● RS-232



# Dual Display

## USE CASE

- Scale this dual display design across an entire enterprise or university for a simple solution that is easy to configure and manage

## BENEFITS

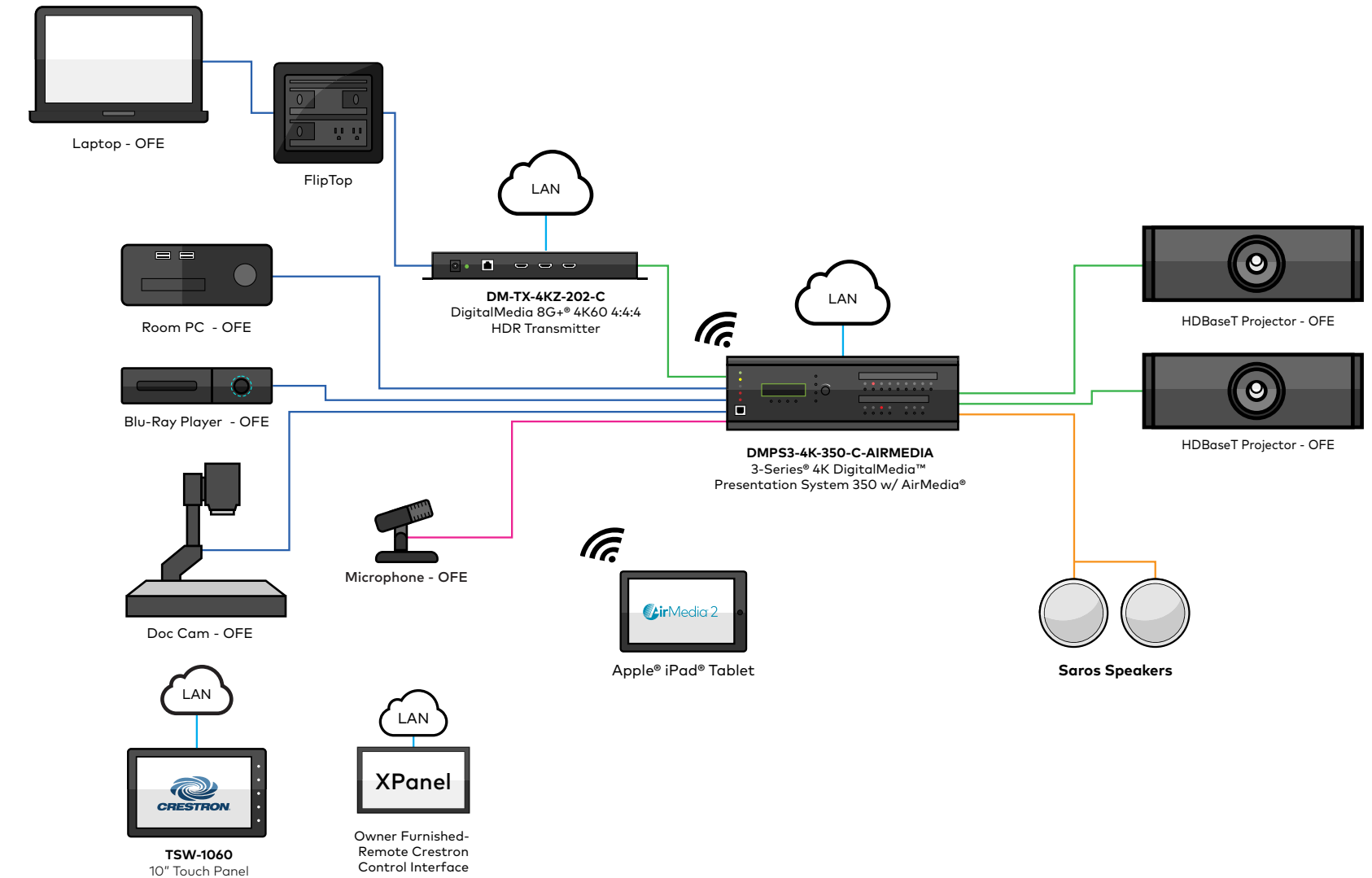
- Switch content from different owner furnished sources using the all in one DMPS presentation switcher and wirelessly present using built in AirMedia® wireless presentation
- Students can easily connect different sources and share content using FlipTop™ cable management systems
- Route content easily using a commercial grade and purpose built touch screen
- Route different types of content simultaneously on two different projectors
- Managed and provisioned via Crestron XiO Cloud™ service
- Hear content with audio on native brand speakers

## CONCLUSION

- Scalable dual display design that is completely web configurable and easily deployed, managed and monitored

## BOM EXAMPLE

QNTY	PRODUCT NAME
1	DMPS3-4K-350-C-AIRMEDIA
1	DM-TX-4KZ-202-C
2	FT2-700-MECH-B
1	FT2A-CBL-PT-4K-HD
1	FT2A-CBL-PT-CAT6
1	FT2A-PWR-US-2
1	FT2A-PLT-BLANK-10
4	SAROS IC6LPT-W-T-EACH



Key: ● Cat5/6 ● HDMI® Cables ● DM™ Cables ● Speaker ● Audio

# Simple Room

## USE CASE

- Deploy minimal SKU's and integrate with Owner Furnished Equipment (OFE) displays for a simple, web configurable solution

## BENEFITS

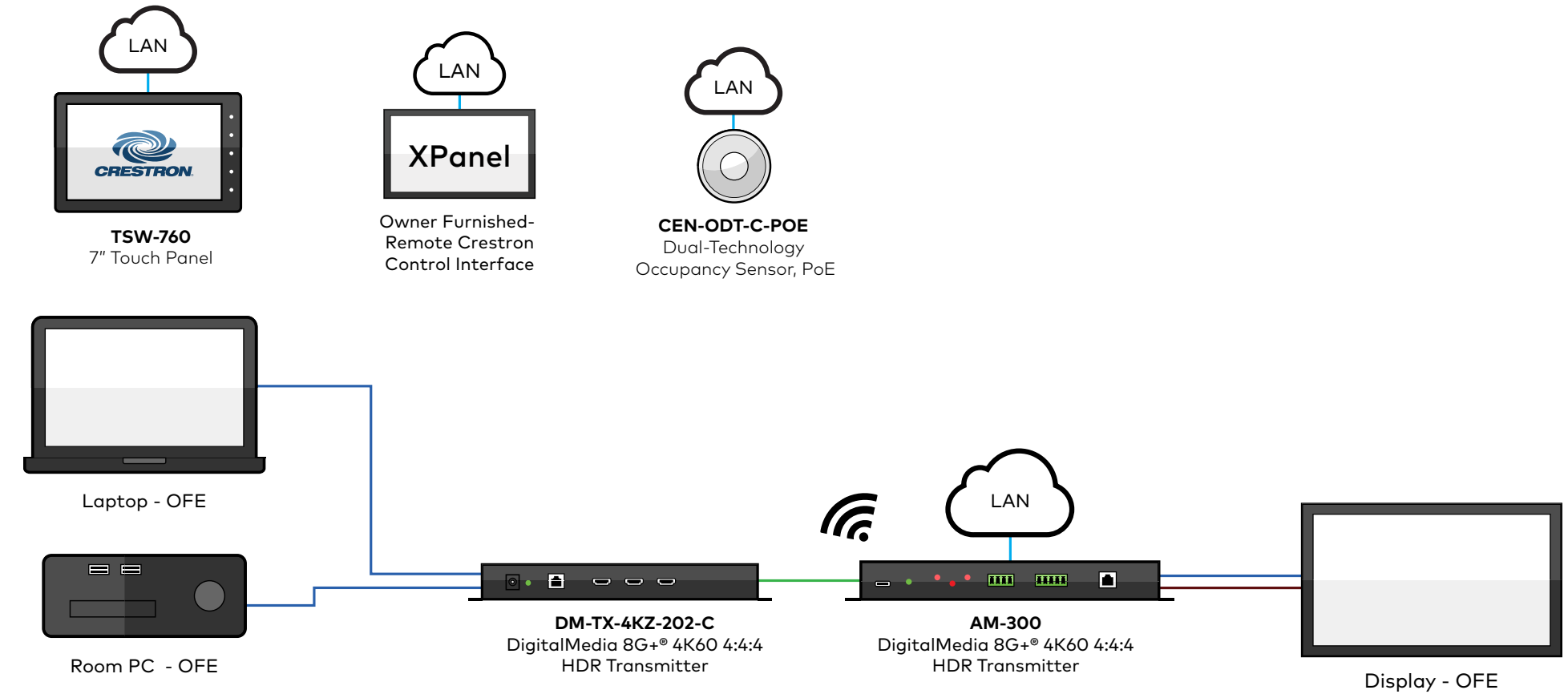
- Simple design with less SKU's
- Auto switch 4K60 content using DM® transmitter
- Source and route content using a commercial grade and purpose built touch screen
- Wirelessly present using the AM-300
- Enterprise grade security
- Provision and manage the room via Crestron XiO Cloud™ service

## CONCLUSION

- Simple, scalable room solution that is easily web configurable with easy deployment

## BOM EXAMPLE

QNTY	PRODUCT NAME
1	AM-300
1	CEN-ODT-C-POE
1	DM-TX-4KZ-202-C
1	TSW-760
1	TSW-760-TTK



Key: ● Cat5/6 ● HDMI® Cables ● DM™ Cables ● RS-232

# All-In-One

## USE CASE

- Use for all spaces requiring less SKU's with form factor and all in one devices

## BENEFITS

### • Top Pro-Performance:

- True 4K/60/444 low latency video
- Enhanced Audio quality & capabilities: amplification, routing, mixing, extraction

### • Simplicity:

- More built-in/all-in-one options: AV-I/O's, Amp, Network-Switch, Control-Ports
- More wall-plate/transmitter compatible options
- Easy to Install & Stock: Less boxes & wiring

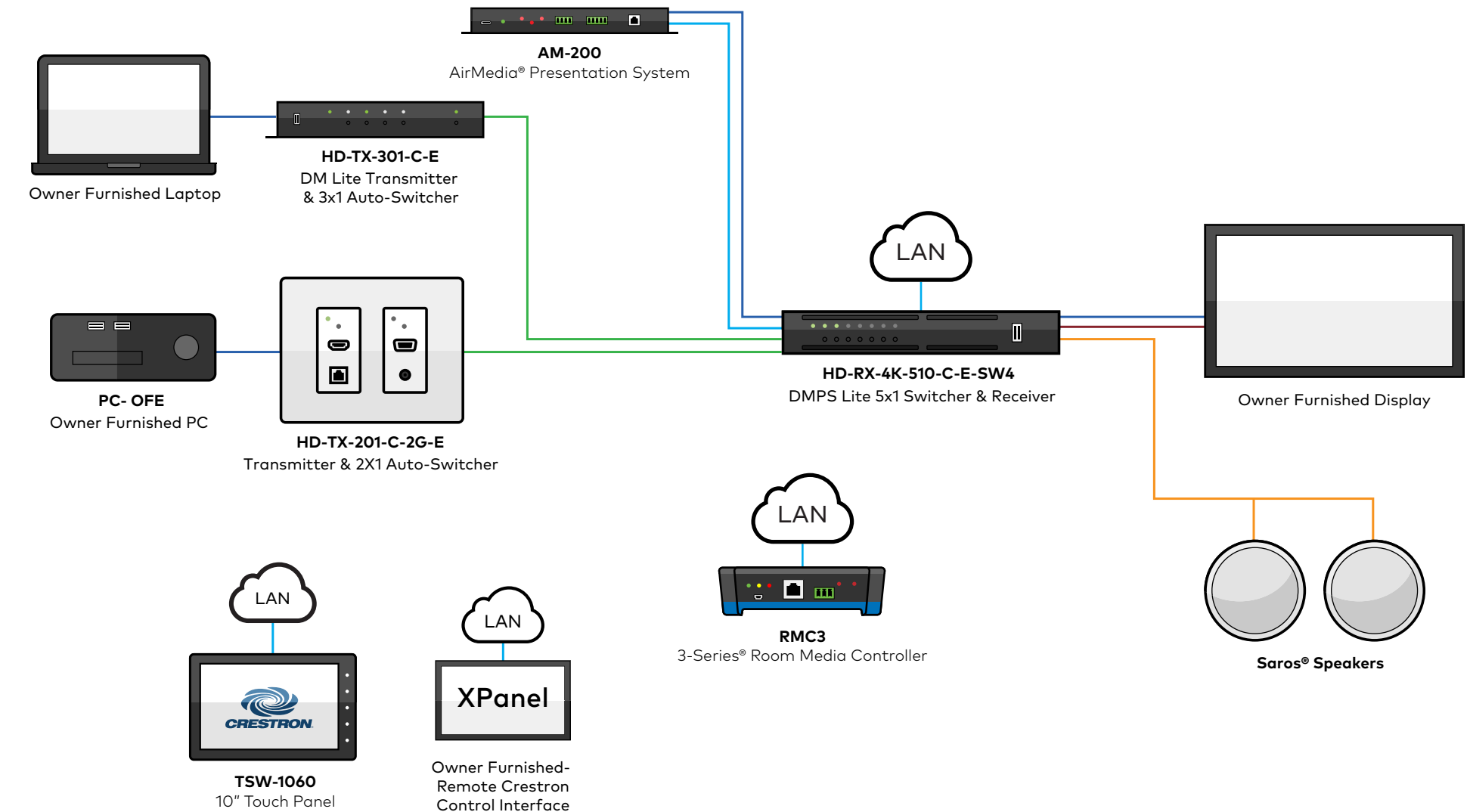
### • Lowest Overall Total Cost of Ownership

## CONCLUSION

- An all in one room with a form factor processor, all in one 4K content switcher, and native brand speakers that can be easily deployed throughout a building with web configuration

## BOM EXAMPLE

QNTY	PRODUCT NAME
1	HD-TX-301-C-E
1	HD-TX-201-C-2G-E
1	HD-RX-4K-510-C-E-SW4
1	RMC3
2	SAROS ICI6T-W-T-EACH



Key: ● Cat5/6 ● HDMI® Cables ● DM Lite™ Cables ● Speaker ● Audio ● RS-232



# Display Only

## USE CASE

- Scalable display only room that can be controlled via VC-4 and expanded easily across the enterprise or university

## BENEFITS

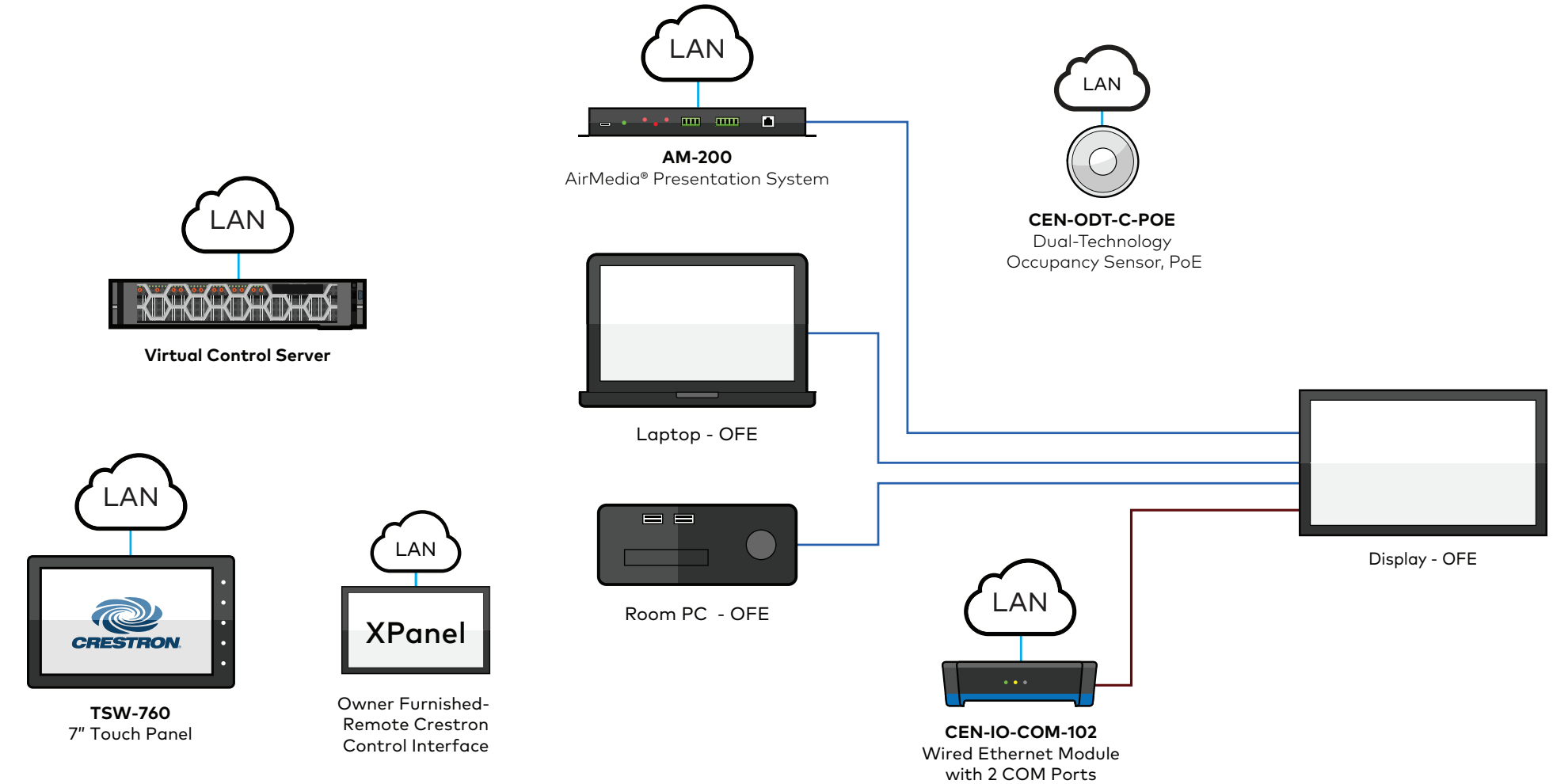
- Different Inputs on the display act as a virtual switcher
- Simple design that can easily be integrated into existing owner furnished equipment
- Route and source content using a commercial grade and purpose built touch screen
- Server based control system using Crestron VC-4 making for an easily managed system

## CONCLUSION

- Simple design that is controlled through VC-4 providing robust redundancy and security measures for increased reliability across the enterprise when scaled

## BOM EXAMPLE

QNTY	PRODUCT NAME
1	AM-200
1	CEN-ODT-C-POE
1	DM-TX-4KZ-202-C
1	TSW-760
1	TSW-760-TTK
1	VC-4



# Additional Resources

[Application Drawings](#)

[Revit® Files](#)

[CAD Blocks](#)

[CSI Specs](#)

Contact us for more information | [crestron.com](http://crestron.com) | 855.263.8754

#### World Headquarters

15 Volvo Drive  
Rockleigh, NJ 07647  
800.237.2041  
201.767.3400  
[crestron.com](http://crestron.com)

#### Latin America

Blvd. Manuel Avila Camacho 37-1A  
Col. Lomas de Chapultepec  
CP 11560  
México  
+52 (55) 9159.5900  
+ (305) 290.4978  
[crestron.com.mx](http://crestron.com.mx)

#### Crestron Europe B.V.

Oude Keerbergsebaan 2  
B-2820  
Rijmenam  
Belgium  
+32.15.50.99.50  
[crestron.com](http://crestron.com)

#### Australia

Level 5  
15 Help Street  
Chatswood NSW 2067  
Australia  
+61.1800.555.040  
[ANZHQ@crestron.com](mailto:ANZHQ@crestron.com)  
[crestron.com](http://crestron.com)

#### New Zealand

Unit 18  
144-160 Beaumont Street  
Westhaven, Auckland 1010  
New Zealand  
+64.800.273.787  
[ANZHQ@crestron.com](mailto:ANZHQ@crestron.com)  
[crestron.com](http://crestron.com)

#### Israel

14 Hata'as Street  
Kfar Saba, 4442514  
Israel  
+972.9.7685556  
[crestron.co.il](http://crestron.co.il)

#### India

Unit 101 & 102 RMZ Ecoworld  
Campus 6B Sarjapur Marathalli  
Outer Ring Road  
Bangalore 560103  
1.800.3005.8822  
[INDIAsalessupport@crestron.com](mailto:INDIAsalessupport@crestron.com)  
[crestron.com](http://crestron.com)

#### NE Asia

Suite 3101-02, 31/F Oxford House,  
Taikoo Place 979 Kings Road  
Hong Kong  
+852 800 969 996  
[NEAsalessupport@crestron.com](mailto:NEAsalessupport@crestron.com)  
[crestron.com](http://crestron.com)

#### China

487 Tian Lin Road Gems Park  
Block 25 Xu Hui District  
P.R.C. Shanghai 200233  
Toll Free Phone: 400.880.9700

#### SE Asia

31 Kaki Bukit Road 3  
#01-04 & #01-05  
Techlink  
Singapore 417818  
+65.6394.9380  
[crestron.com](http://crestron.com)

#### Japan

1736-3 Higashitsuda-Cho  
Matsue City 690-0011  
Japan  
+81.852.60.5185  
[crestronjapan.com](http://crestronjapan.com)



All brand names, product names, and trademarks are the property of their respective owners. Certain trademarks, registered trademarks, and trade names may be used in this document to refer to either the entities claiming the marks and names or their products. Crestron disclaims any proprietary interest in the marks and names of others. Crestron is not responsible for errors in typography or photography. ©2020 Crestron Electronics, Inc.