

DM-TX-4K-100-C-1G

Wall Plate 4K DigitalMedia 8G+® Transmitter 100

DO Make Connections to the Rear Panel

Make connections to the rear panel of the Crestron® DM-TX-4K-100-C-1G before mounting the unit into an electrical box. If the unit is to be mounted under a table or onto a flat surface or rack rail, make connections to the rear panel after the unit is mounted. (For mounting instructions, refer to the “DO Install the Device” section in this guide.)

Make connections to the rear panel as follows:

DM OUT: Connect to the DM 8G+® input of a DigitalMedia™ switcher, DigitalMedia 8G+® receiver, or other DigitalMedia device or to an HDBaseT® device.

NOTE: The DM OUT port is a PoDM (Power over DM) and HDBaseT® PoE (Power over Ethernet) PD (Powered Device) port. To receive PoDM or HDBaseT PoE, the DM-TX-4K-100-C-1G requires a connection to a DigitalMedia switcher or other equipment that has a PoDM or HDBaseT PoE PSE (Power Sourcing Equipment) port. Any wiring that is connected to a PoDM or HDBaseT PoE PSE port is for intrabuilding use only and should not be connected to a line that runs outside of the building in which the PSE is located.

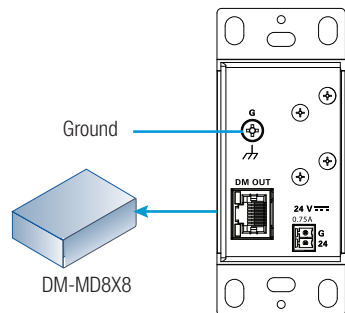
24VDC 0.75A: Connect to the included power pack using the included 2-pin interface connector.

NOTE: Connection to the power pack is not required when PoDM or HDBaseT PoE is used to power the device.

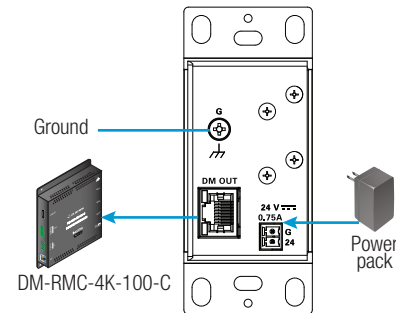
G: Connect to earth ground (building steel).

Refer to illustrations ❶ and ❷ for sample rear panel connections.

❶ Connection to DigitalMedia Switcher Using PoDM
(External Power Pack Not Required)



❷ Connection to DigitalMedia Receiver
(External Power Pack Required)



DO Check the Box

QTY	PRODUCT	COLOR	PART NUM.
1	Bracket (for Interface Module)	Black	2016054
2	Connector, 2-Pin		2003574
1	Connector, 3-Pin		2003575
1	Power Pack, 24 Vdc 0.75 A, 100-240 Vac		2045866
2	Screw, 6-32 x 3/4", Truss Head, Combo		2009211
2	Screw, 6-32 x 1/4", Pan Head, SEMS	Black	2007218

DO Install the Device

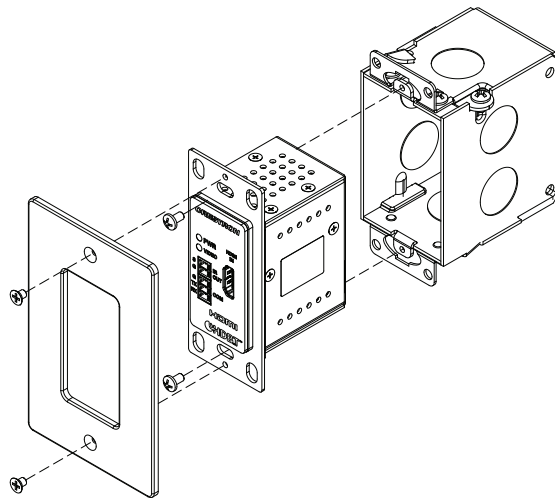
The DM-TX-4K-100-C-1G can be mounted into an electrical box, under a table, or onto a flat surface or rack rail.

Mounting into an Electrical Box

The DM-TX-4K-100-C-1G mounts into a 1-gang electrical box (not included). A minimum mounting depth of 3-1/2 inches (89 mm) is required.

Using a Phillips head screwdriver, attach the DM-TX-4K-100-C-1G to the electrical box using the two included 6-32 x 3/4-inch truss combo head screws. Then, attach a decorator-style faceplate (not included) to the front panel of the DM-TX-4K-100-C-1G using two screws (not included). Refer to illustration ❸.

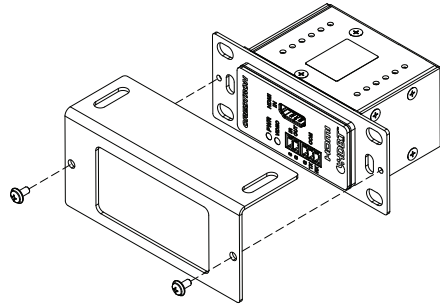
❸ Mounting into an Electrical Box



Mounting under a Table or onto a Flat Surface

The DM-TX-4K-100-C-1G mounts under a table or onto a suitable flat surface using the included surface mount bracket. Using a Phillips head screwdriver, attach the included surface mount bracket to the DM-TX-4K-100-C-1G using the two included 6-32 x 1/4-inch SEMS screws. Then, attach the bracket to the underside of a table or onto a flat surface using two mounting screws (not included). Refer to illustration 4.

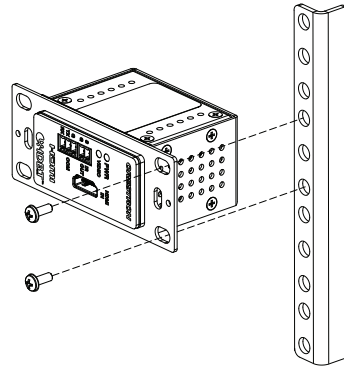
4 Mounting under a Table or onto a Flat Surface



Mounting onto a Rack Rail

The DM-TX-4K-100-C-1G mounts onto the front or rear rail of a rack. Position the DM-TX-4K-100-C-1G horizontally so that the holes in the left or right mounting flange align with the holes in the rack rail. Then, secure the unit to the rack rail using two mounting screws (not included). Refer to illustration 5.

5 Mounting onto a Rack Rail



DO Make Connections to the Front Panel

Make connections to the front panel of the DM-TX-4K-100-C-1G as required for the application.

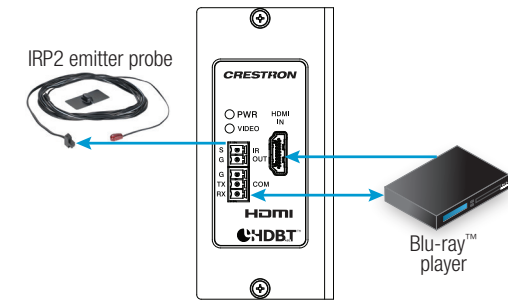
HDMI IN: Connect to an HDMI® audio/video source.

IR OUT: Connect to the Crestron IRP2 emitter probe (not included) using the included 2-pin connector.¹

COM: Connect to the device to be controlled using the included 3-pin connector.¹

Refer to illustration 6 for sample front panel connections.

6 Sample Front Panel Connections



1. The IR OUT port and the COM (RS-232) port are enabled only when the DM-TX-4K-100-C-1G connects to an Ethernet-enabled DigitalMedia receiver or switcher that is addressable from a Crestron control system.

DO Learn More

Visit the website for additional information and the latest firmware updates. To learn more about this product, use a QR reader application on your mobile device to scan the QR image.

Crestron Electronics

15 Volvo Drive, Rockleigh, NJ 07647
888.CRESTRON | www.crestron.com



As of the date of manufacture, the product has been tested and found to comply with specifications for CE marking.



This product is Listed to applicable UL® Standards and requirements by Underwriters Laboratories Inc.

Ce produit est homologué selon les normes et les exigences UL applicables par Underwriters Laboratories Inc.

Federal Communications Commission (FCC) Compliance Statement

This device complies with part 15 of the FCC Rules. Operation is subject to the following two conditions:

(1) This device may not cause harmful interference, and (2) this device must accept any interference received, including interference that may cause undesired operation.

CAUTION: Changes or modifications not expressly approved by the manufacturer responsible for compliance could void the user's authority to operate the equipment.

NOTE: This equipment has been tested and found to comply with the limits for a Class B digital device, pursuant to part 15 of the FCC Rules. These limits are designed to provide reasonable protection against harmful interference in a residential installation. This equipment generates, uses and can radiate radio frequency energy and, if not installed and used in accordance with the instructions, may cause harmful interference to radio communications. However, there is no guarantee that interference will not occur in a particular installation.

If this equipment does cause harmful interference to radio or television reception, which can be determined by turning the equipment off and on, the user is encouraged to try to correct the interference by one or more of the following measures:

- Reorient or relocate the receiving antenna.
- Increase the separation between the equipment and receiver.
- Connect the equipment into an outlet on a circuit different from that to which the receiver is connected.
- Consult the dealer or an experienced radio/TV technician for help.

Industry Canada (IC) Compliance Statement

CAN ICES-3(B)/NMB-3(B)

The specific patents that cover Crestron products are listed at patents.crestron.com.

The product warranty can be found at www.crestron.com/warranty.

Certain Crestron products contain open source software. For specific information, please visit www.crestron.com/opensource.

Crestron, the Crestron logo, DigitalMedia, DigitalMedia 8G+, and DM 8G+ are either trademarks or registered trademarks of Crestron Electronics, Inc. in the United States and/or other countries. Blu-ray is either a trademark or registered trademark of the Blu-ray Disc Association in the United States and/or other countries. HDBaseT and the HDBaseT logo are either trademarks or registered trademarks of the HDBaseT Alliance in the United States and/or other countries. HDMI and the HDMI logo are either trademarks or registered trademarks of HDMI Licensing LLC in the United States and/or other countries. UL and the UL logo are either trademarks or registered trademarks of Underwriters Laboratories, Inc. in the United States and/or other countries. Other trademarks, registered trademarks, and trade names may be used in this document to refer to either the entities claiming the marks and names or their products. Crestron disclaims any proprietary interest in the marks and names of others. Crestron is not responsible for errors in typography or photography.

This document was written by the Technical Publications department at Crestron.

©2016 Crestron Electronics, Inc.