

DM NVX® 4K60 4:4:4 HDR Network AV Encoder/Decoder Cards

The Crestron® [DM-NVX-363C](#) and [DM-NVX-360C](#) network AV encoder/decoder cards transport ultra high-definition 4K60 4:4:4 video over standard Gigabit Ethernet. HDR10, HDR10+, and Dolby Vision® video formats are supported.



In the Box

- 1 DM-NVX-363C or DM-NVX-360C Network AV Encoder/Decoder Card

Additional Item

- 1 Connector, 5-Pin (2003577)



Install the Card

The DM-NVX-363C and DM-NVX-360C are designed to occupy a card slot of a DMF-CI-8 chassis.

CAUTION: To prevent bodily injury when mounting or servicing the unit in a rack, observe the following guidelines:

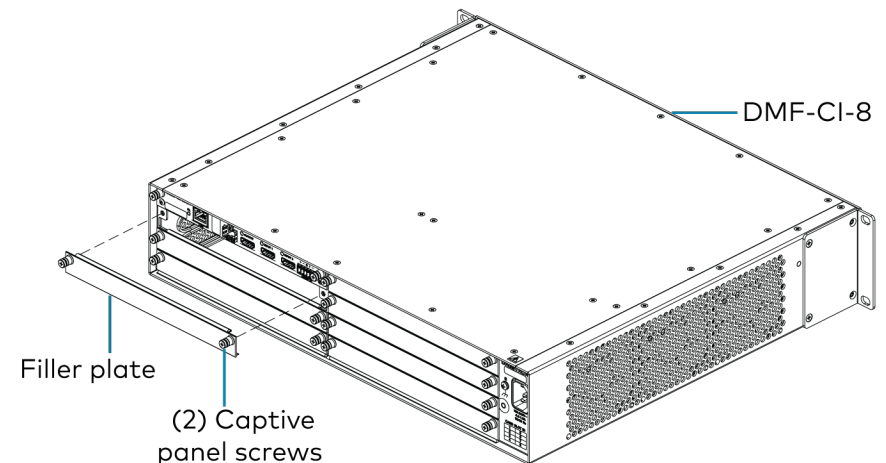
- DM NVX® cards are susceptible to damage from electrostatic discharge (ESD). Observe standard ESD precautions when handling the cards. Wear an ESD wrist strap that is connected to ground, and place the cards on grounded surfaces only.
- To prevent damage to a card that is connected to cables, disconnect all cables from the card before installing the card into a card slot or removing the card.

NOTES:

- In a new installation of the DMF-CI-8, it is recommended that the cards be installed before power is applied to the chassis. In an existing installation of the DMF-CI-8, the cards can be added or replaced without the need to shut down the chassis—the cards are hot swappable.
- When installing the cards into a partially populated DMF-CI-8, install the cards into slots 5–8 before using slots 1–4. Doing so ensures better cooling and lower power consumption. In addition, always cover empty slots using the filler plates included with the chassis.

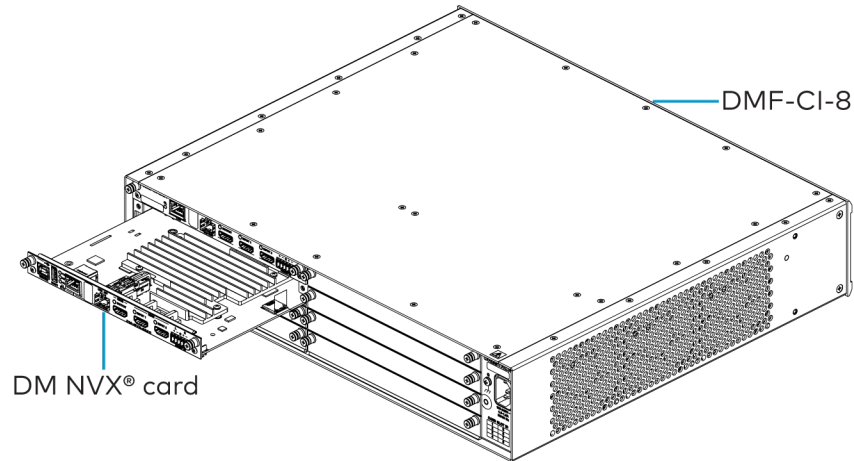
To install a card into a slot:

1. Using a #2 Phillips screwdriver (not included) or your fingers, remove the filler plate of an unused slot by loosening the two captive panel screws.



DM NVX® 4K60 4:4:4 HDR Network AV Encoder/Decoder Cards

- Carefully insert the card into the card guides of the selected slot, and then push the card inward until it engages the chassis backplane.



- Finger-tighten the two captive panel screws to secure the card—do not overtighten the screws.



Connect the Card

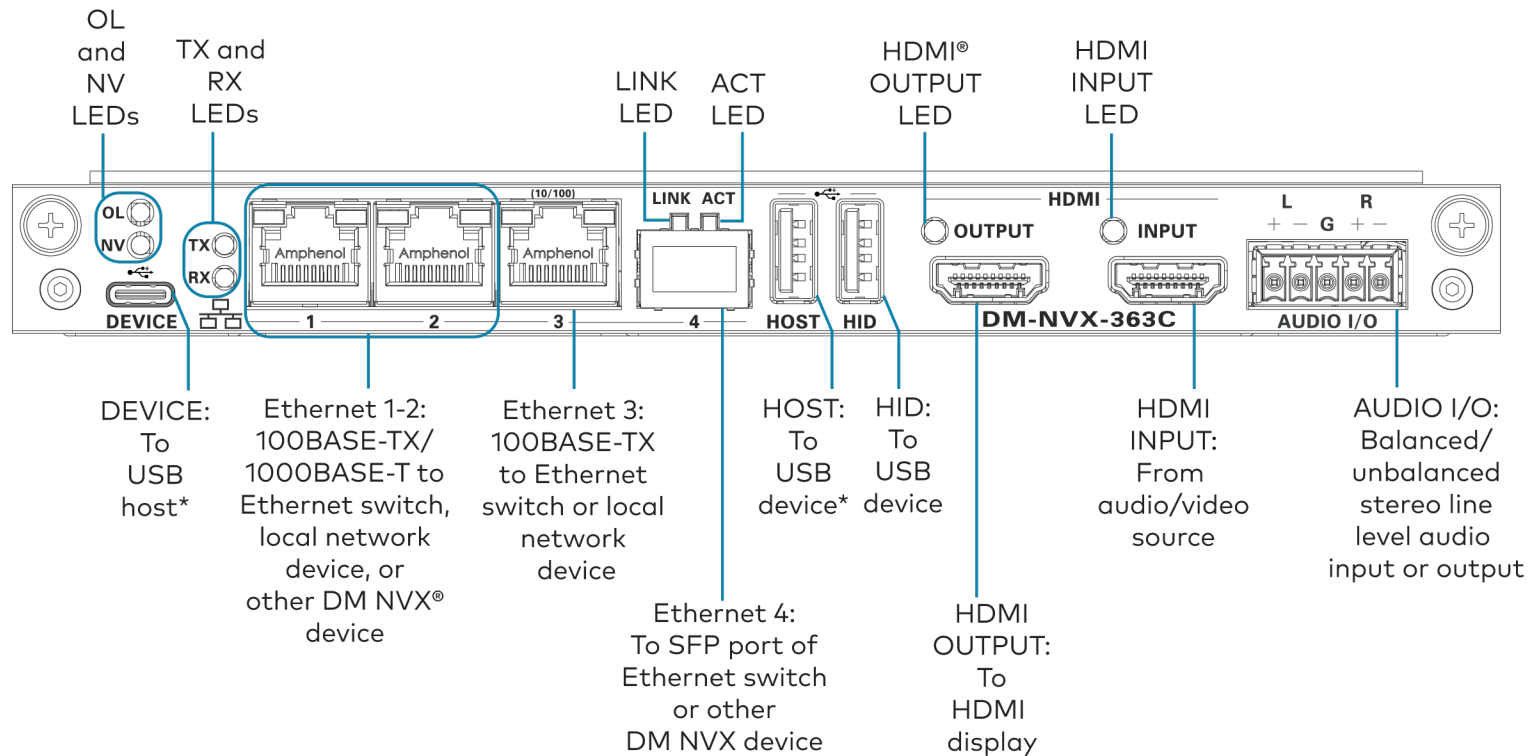
Connect the card as required for the application.

NOTES:

- The DM-NVX-363C and DM-NVX-360C each provide four Ethernet ports:
 - Ports 1 and 2 are 100BASE-TX/1000BASE-T ports.
 - Port 3 is a 100BASE-TX port.
 - Port 4 is an SFP port, which connects to a fiber-optic network using the appropriate Crestron [SFP-1G Series](#) transceiver module (sold separately). For information about installing a Crestron SFP-1G transceiver module, refer to the [SFP-1G Series Installation Guide](#) (Doc. 7979) on the Crestron website (www.crestron.com).
- Ethernet port 1, 2, or 4 can be used to connect to a 1000BASE-T Ethernet switch in order to stream network video.
- Ethernet ports 1 and 2 can also be used to connect to a local network device or to another DM NVX device.
- Ethernet port 3 can be used to connect to a dedicated audio network or to a local network device.

DM NVX® 4K60 4:4:4 HDR Network AV Encoder/Decoder Cards

DM-NVX-363C and DM-NVX-360C Connections



*The card can be configured to use either the DEVICE port or the HOST port. Both ports cannot be used simultaneously.

DM NVX® 4K60 4:4:4 HDR Network AV Encoder/Decoder Cards

AUDIO I/O Connector Pin Assignments

The AUDIO I/O connector uses a 5-pin terminal block for balanced or unbalanced analog audio input or output.

AUDIO I/O Connector

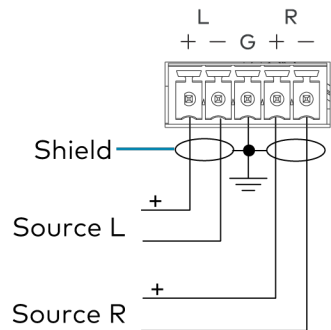


Balanced/Unbalanced Audio Input

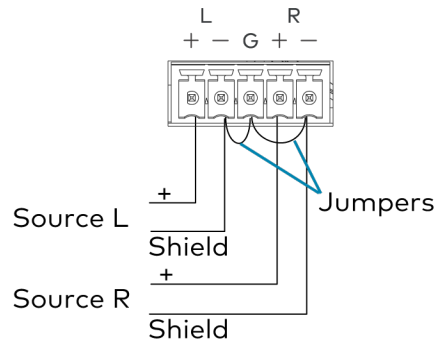
Refer to the following table and diagrams for analog audio input pin assignments and connection information.

| Signal Name | Balanced Audio Input | Unbalanced Audio Input |
|-------------|----------------------|---------------------------------|
| + | L+ | L+ In |
| - | L- | L- Signal return, jumper to GND |
| G | Shield/ground | Ground |
| + | R+ | R+ In |
| - | R- | R- Signal return, jumper to GND |

Balanced Input



Unbalanced Input

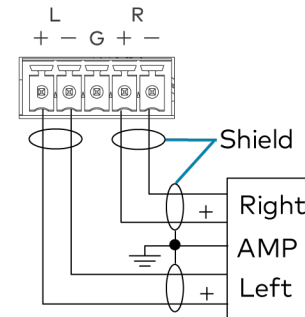


Balanced/Unbalanced Audio Output

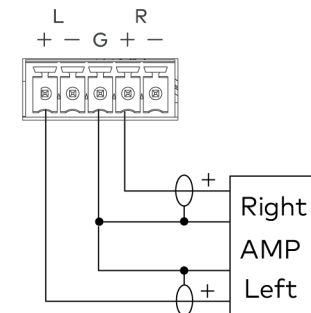
Refer to the following table and diagrams for analog audio output pin assignments and connection information.

| Signal Name | Balanced Audio Output | Unbalanced Audio Output |
|-------------|-----------------------|-------------------------|
| + | L+ | L+ Out |
| - | L- | Open |
| G | Shield/ground | Common ground |
| + | R+ | R+ Out |
| - | R- | Open |

Balanced Output



Unbalanced Output



DM NVX® 4K60 4:4:4 HDR Network AV Encoder/Decoder Cards



Upgrade the Firmware

Before using the device, upgrade the firmware. The latest firmware can be downloaded from the [DM-NVX-363C](#) or [DM-NVX-360C](#) product page on the Crestron website (www.crestron.com).



Configure the Card

Configure the card using the web interface. To access the web interface, open a web browser and then go to the IP address of the card.

NOTE: By default, the IP address of a card is assigned by a DHCP server on the network. If a DHCP server does not exist on the network, the IP address defaults to a link-local address in the 169.254.xxx.xxx range (refer to RFC 3927 for detailed information about link-local addressing).

To find the IP address of the card, use the menu on the front panel display of the DMF-CI-8.

To log in to the web interface, enter the user name and password of the card. The default user name and password are both *admin*.



Connect to the Cloud

The Crestron XiO Cloud® service allows supported Crestron devices across an enterprise to be managed and configured from one central and secure location in the cloud. Supported devices are preconfigured to connect to the service. Use of the service requires a registered XiO Cloud account.

To connect the card to the XiO Cloud service:

1. Record the MAC address and the serial number that are labeled on the shipping box or printed circuit board (PCB). The MAC address and the serial number are required in order to add the card to the XiO Cloud environment.
2. Do either of the following:
 - If you have an XiO Cloud account, go to <https://portal.crestron.io> to access the XiO Cloud service.
 - If you do not have an XiO Cloud account, go to www.crestron.com/xiocloud to register for an account.

For detailed information about using the XiO Cloud service, refer to the [XiO Cloud Provisioning and Management Service User Guide](#) (Doc. 8214).

DM NVX® 4K60 4:4:4 HDR Network AV Encoder/Decoder Cards



Observe the LED Indicators

Refer to the following table for information about the LED indicators on the card.

| LED Indicator | Color | Meaning |
|-----------------|----------------|------------------------------------------------------------------------------|
| OL | Green | The device is online with a control system. |
| NV | Green | (Transmitter mode only) The device is encoding (transmitting) network video. |
| | | (Receiver mode only) The device is decoding (receiving) network video. |
| TX | Green | The device is in transmitter (encoder) mode. |
| RX | Green | The device is in receiver (decoder) mode. |
| Ethernet 1 | Green | An Ethernet link is established. |
| | Flashing amber | Data activity is occurring on the Ethernet link. |
| Ethernet 2 | Green | An Ethernet link is established. |
| | Flashing amber | Data activity is occurring on the Ethernet link. |
| Ethernet 3 | Green | An Ethernet link is established. |
| | Flashing green | Data activity is occurring on the Ethernet link. |
| | Amber | A 100BASE-TX link is established. |
| Ethernet 4 LINK | Green | An Ethernet link is established. |
| Ethernet 4 ACT | Flashing green | Data activity is occurring on the Ethernet link. |
| HDMI OUTPUT | Green | An HDMI signal is being transmitted to the HDMI output. |
| HDMI INPUT | Green | An HDMI signal is detected at the HDMI input. |



Visit the Product Page

Scan the QR code to visit the product page.

DM-NVX-363C



www.crestron.com/model/6511009

DM-NVX-360C



www.crestron.com/model/6511007

DM NVX® 4K60 4:4:4 HDR Network AV Encoder/Decoder Cards

Additional Information

Original Instructions

The U.S. English version of this document is the original instructions. All other languages are a translation of the original instructions.

Regulatory Model: M201910003

Crestron product development software is licensed to Crestron dealers and Crestron Service Providers (CSPs) under a limited nonexclusive, nontransferable Software Development Tools License Agreement. Crestron product operating system software is licensed to Crestron dealers, CSPs, and end-users under a separate End-User License Agreement. Both of these Agreements can be found on the Crestron website at www.crestron.com/legal/software_license_agreement.

The product warranty can be found at www.crestron.com/warranty.

The specific patents that cover Crestron products are listed at www.crestron.com/legal/patents.

Certain Crestron products contain open source software. For specific information, visit www.crestron.com/opensource.

Crestron, the Crestron logo, DM NVX, and XiO Cloud are either trademarks or registered trademarks of Crestron Electronics, Inc. in the United States and/or other countries. Dolby Vision is either a trademark or registered trademark of Dolby Laboratories in the United States and/or other countries. HDMI and the HDMI logo are either trademarks or registered trademarks of HDMI Licensing LLC in the United States and/or other countries. Other trademarks, registered trademarks, and trade names may be used in this document to refer to either the entities claiming the marks and names or their products. Crestron disclaims any proprietary interest in the marks and names of others. Crestron is not responsible for errors in typography or photography.

HDMI

©2020 Crestron Electronics, Inc.

Doc. 8636A

08/25/20