

CHV-TSTATEX-FCU

infiNET EX® Thermostat (Fan Coil Unit)

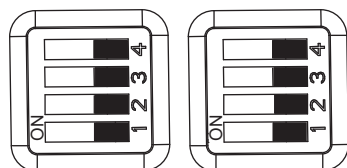
1 Mounting

Mount the thermostat directly to drywall or to a single-gang box in accordance with accepted building codes and practices. If using a single-gang box, be sure to fill it with thermal insulation material.

For additional details and installation options, refer to the latest version of the CHV-TSTATEX-FCU Operations & Installation Guide (Doc. 7206). It is available from the Crestron® Web site (www.crestron.com/manuals).

DIP Switch Settings

Power Steal Switch



STEAL (LEFT) 24VAC (RIGHT)

Left Switch

#	DESCRIPTION	ON	OFF
4	Lockout setup mode	Unlocked	Locked
3	Hold button behavior	Toggles between F/C	Toggles hold mode
2	Medium fan speed	Enabled	Disabled
1	Low fan speed	Enabled	Disabled

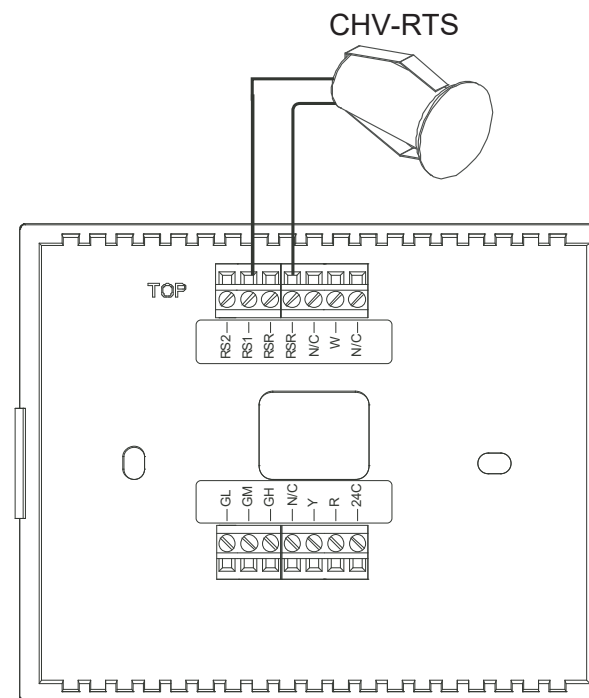
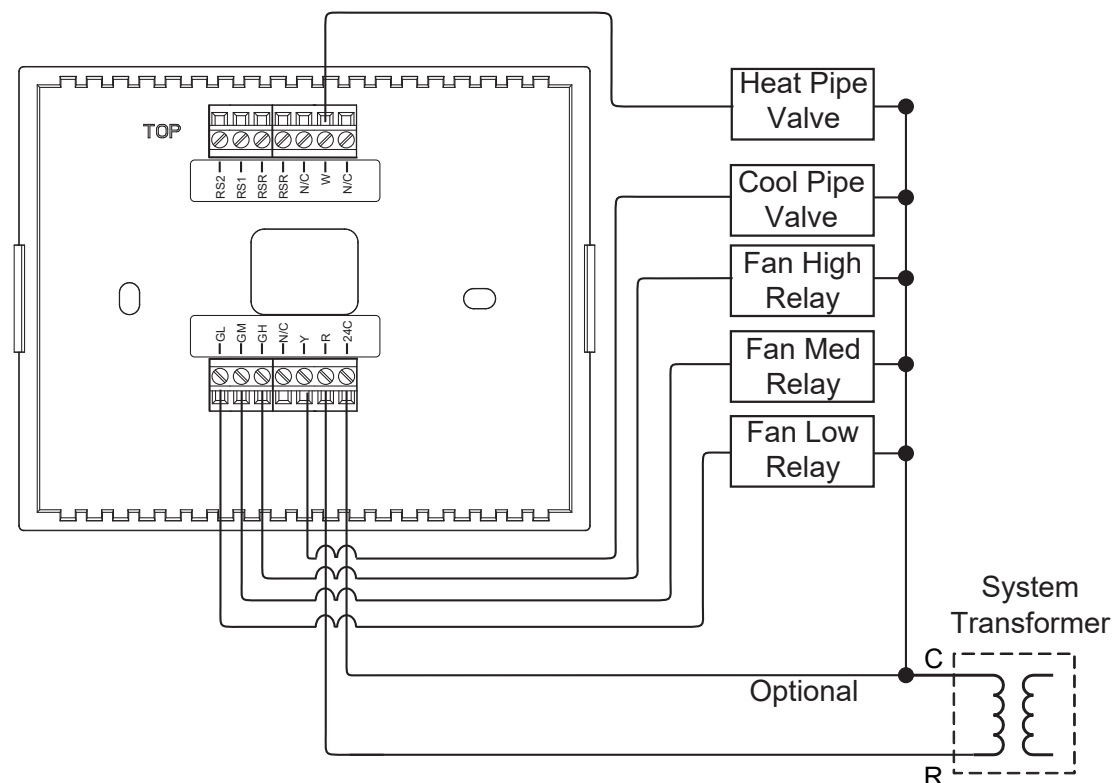
Right Switch

#	DESCRIPTION	ON	OFF
4	Heat mode	Enabled	Disabled
3	Cool mode	Enabled	Disabled
2	Auto mode	Enabled	Disabled
1	Auto mode behavior	Single setpoint	Dual setpoint

2 Connections



Connect the thermostat using the wiring configurations shown below as a guide. Refer to “DIP Switch Settings” on the left to configure each application. For more information, refer to the latest version of the CHV-TSTATEX-FCU Operations & Installation Guide (Doc. 7206).



CHV-TSTATEX-FCU

infiNET EX® Thermostat (Fan Coil Unit)

3 Basic Thermostat Setup

Install two AA batteries in the battery compartment.¹



CAUTION: Replace all batteries in the CHV-TSTATEX-FCU at the same time. Mixing old and new batteries in the CHV-TSTATEX-FCU may result in battery leakage and equipment damage.

To enter Setup mode², press and hold **FAN**, then simultaneously press and hold **▲** and **▼** for about five seconds. The display shows the Temperature Scale function (FC).



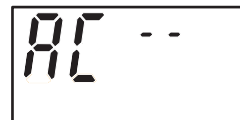
Use **▲** or **▼** to choose the temperature units: F (Fahrenheit) or C1 (Celsius, whole degree set points). Then press **MODE** twice until the Heat/Cool function is displayed (HC).

1. Expected battery life is one year using quality alkaline batteries.
2. Refer to the latest version of the CHV-TSTATEX-FCU Operations & Installation Guide (Doc. 7206) for detailed information on setup and operating modes.

4 Basic infiNET EX® Setup



In Setup mode, press **MODE** until the infiNET EX ID (RF ID) function is displayed (id). Use **▲** and **▼** to choose the infiNET EX ID. Press **MODE** until the Start infiNET Acquire function is displayed (AC).



Put an infiNET EX gateway (sold separately) into Acquire mode, from the unit itself or from Crestron Toolbox™ software, as described in the latest revision of the gateway's user manual.

Press **▲** or **▼** to start the acquire process: display shows flashing - - (in progress). When finished, display shows 00 (finished, found gateway) or E# (finished, could not find gateway), where # represents an error code.

Once all devices have been acquired, take the gateway out of Acquire mode. Press **FAN** on the thermostat to exit Setup mode.

5 System Modes and Fan Operation

Press the **MODE** button to cycle the unit through available modes: Off, Heat, Cool, and Auto.¹

- Mode changes take place upon release of the **MODE** button.
- The selected mode becomes operational three seconds after the mode has been entered.

Press the **FAN** button to toggle between Fan Auto, Fan High (F3), Fan Med (F2), and Fan Low (F1).

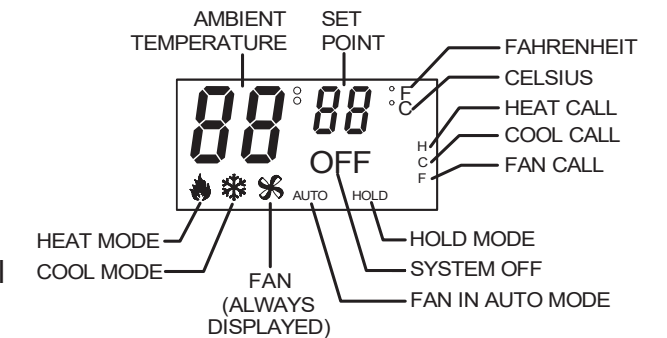
- The fan icon is always displayed, except when in Off mode.
- When set to Fan Auto, the fan operates only when there is a cool or heat call.^{1,2}

Press **MODE** and **FAN** simultaneously to enter Hold mode. Hold mode ignores scheduled set point values from the control system.

Use the **▲** and **▼** buttons to choose the desired temperature set point.

1. Refer to the latest version of the CHV-TSTATEX-FCU Operations & Installation Guide (Doc. 7206) for detailed information on setup and operating modes.
2. Fan will only run during heat calls if the thermostat has been configured to do so.

Thermostat Display Key



Typical Heat Mode Display



Typical Cool Mode Display



Typical Auto Heat/Cool Mode Display



Typical Off Mode Display

The product warranty can be found at www.crestron.com/legal/sales-terms-conditions-warranties. The specific patents that cover Crestron products are listed at www.crestron.com/legal/patents. Certain Crestron products contain open source software. For specific information, please visit www.crestron.com/legal/open-source-software.

Crestron, the Crestron logo, Crestron Toolbox and infiNET EX are either trademarks or registered trademarks of Crestron Electronics, Inc. in the United States

and/or other countries. Other trademarks, registered trademarks, and trade names may be used in this document to refer to either the entities claiming the marks and names or their products. Crestron disclaims any proprietary interest in the marks and names of others. Crestron is not responsible for errors in typography or photography.

This document was written by the Technical Publications department at Crestron. ©2018 Crestron Electronics, Inc.