

ADD TOUCHLESS COLLABORATION TO ANY SPACE



Content sharing is the core of collaboration. AirMedia® technology makes it simple and safe, from the comfort of any personal device.

NO HASSLE, NO TOUCH

With support for every OS, AirMedia delivers the experience professionals expect in the modern workplace, and faculty and students expect in today's classrooms. Just follow the easy on-screen instructions to connect. Someone else's turn? It's simple to switch between sources. Or display both. Prefer to plug in? AirMedia supports wired connection, too.

POWER UP CONVENIENCE AND CONTROL

AirMedia integrates with Crestron touch screens and other essential room technologies to create a robust, intelligent room experience: occupancy sensors to turn the system on/off; and DigitalMedia™ products to enable wired presentation and sharing. You also get display control. All with no programming required.

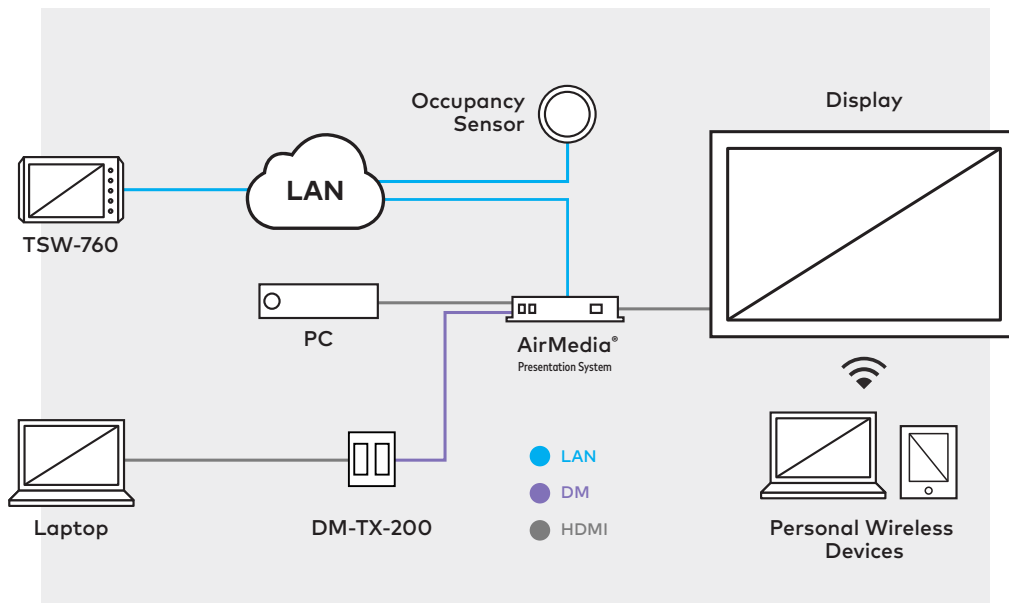
NEW AIRMEDIA CANVAS

Now, you never have to worry about your content looking anything but great onscreen. From any device. AirMedia dynamically adjusts the layout based on the content source. And with moderator control, you decide whose content to share.



The simplicity IT managers want

AirMedia works perfectly with whatever you already have. Secure corporate network, guest network, or direct connect. And the zero-touch Crestron XiO Cloud® IoT-based platform streamlines provisioning and management, so you can deploy hundreds of AirMedia devices in the same time it takes to deploy one.



AIRMEDIA PRODUCTS

AM-200

AirMedia Presentation System with AirMedia 2.0 and HDMI® in and out, Miracast® connectivity



Standalone device that enables you to convert lobbies, lounges, and other open spaces into productive meeting spaces.

AM-300

AirMedia Presentation System with AirMedia 2.0, DM® in, and HDMI in and out, Miracast connectivity



All the functionality of AM-200 plus DM input for connecting to in-room DM transmitter.

AirMedia: The complete package crestron.com/AirMedia