

TSW-560-LB

Room Availability Light Bar for TSW-560, TSW-560P, and TSW-560-NC

The Crestron® TSW-560-LB is a room availability light bar for the Crestron TSW-560, TSW-560P, and TSW-560-NC touch screens. When the light bar is installed onto a touch screen as part of an enterprise room scheduling solution, the light bar illuminates to indicate the room's availability.

Check the Box

Item	Qty
TSW-560-LB-B or TSW-560-LB-W	1
Light Bar, 5 in., Black or Light Bar, 5 in., White	1
Screw, 04-40 x 1-1/2 in., Undercut Head, Phillips (P/N 2037906)	2
Screw, 04-40 x 3/8 in., Undercut Head, Phillips (P/N 2007173)	2

* Refer to the TSW-560-LB-B and TSW-560-LB-W product page at www.crestron.com for a complete list of color and texture variations.

Install the TSW-560-LB

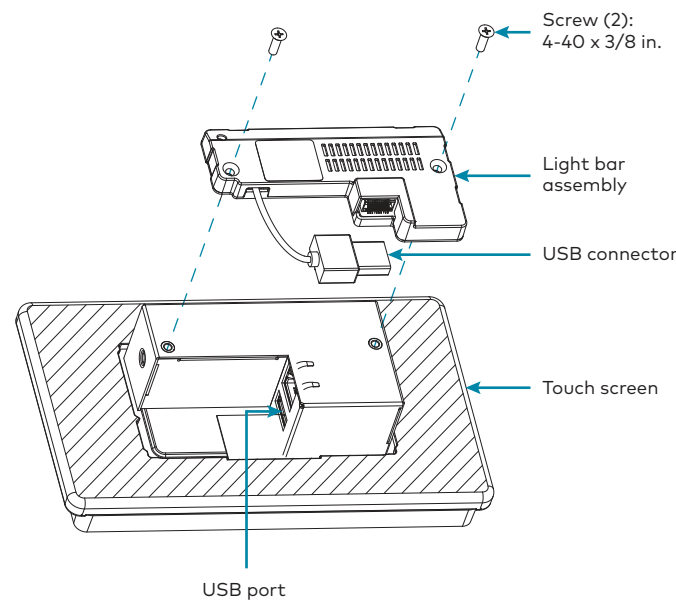
Use the following procedures to install the TSW-560-LB as part of a new or existing TSW-560 installation.

NOTE: For portrait touch screens (such as the TSW-560P), the TSW-560-LB may be installed vertically using the same procedures required for a landscape touch screen installation.

Install the Light Bar Assembly

- If the TSW-560-LB is being added to an existing TSW-560 installation, pull the TSW-560 carefully out of its mounting bracket and disconnect the Ethernet cable.

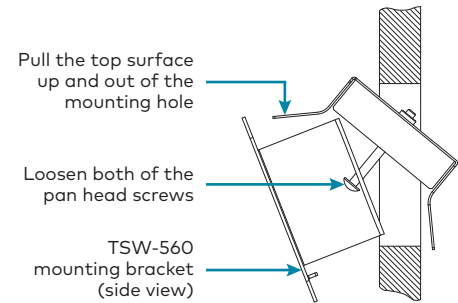
NOTE: If the TSW-560 is secured to the mounting bracket with a security latch, refer to the removal procedure described in the TSW-560/TSW-760/TSW-1060 Quick Start (Doc. 7926) at www.crestron.com/manuals.
- Use the two included 4-40 x 3/8 in. screws to attach the light bar assembly to the rear of the TSW-560.



- Insert the assembly's USB connector into the USB port on the rear of the touch screen.

Attach the Light Bar to the Mounting Bracket

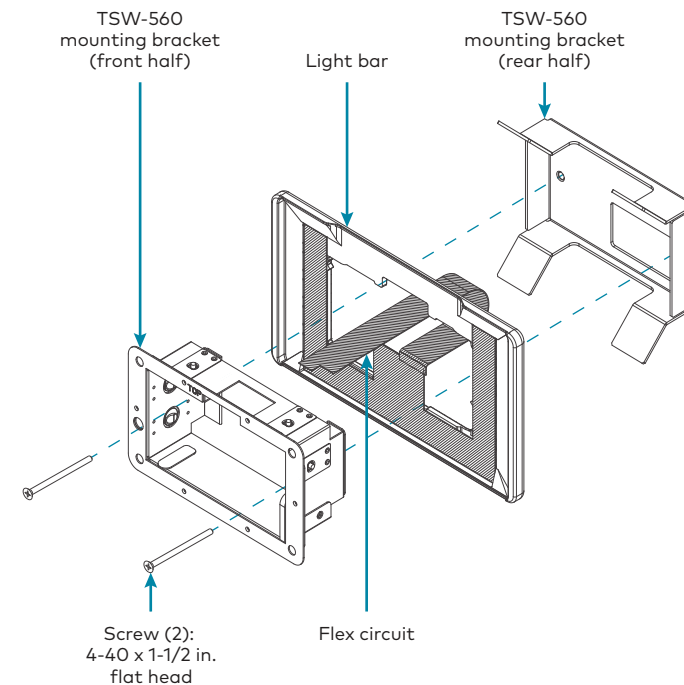
- Loosen the two pan head 4-40 x 1-1/2 in. screws on the TSW-560 mounting bracket.
- If installed, remove the mounting bracket from the mounting surface as shown in the following illustration.



- Separate the two halves of the mounting bracket by removing the two pan head 1-1/2 in. screws. These screws are not used in this installation.
- Align the light bar in between the two halves of the mounting bracket as shown in the illustration below.
- Attach the light bar to the front half of the mounting bracket, and then reconnect the two halves of the mounting bracket.

NOTE: Pull the flex circuit attached to the light bar through the opening in the mounting bracket after the light bar is attached to the mounting bracket.

- Use the two included flat head 4-40 x 1-1/2 in. screws to secure the light bar to the mounting bracket. Do not tighten the screws fully.



NOTE: Do not use the pan head 4-40 x 1/2 in. screws that come with the TSW-560 mounting bracket for the light bar installation. The flat head 4-40 x 1/2 in. screws that come with the light bar must be used instead.

- Insert the mounting bracket, bottom side first, back into the mounting surface.
- Push the rear half of the mounting bracket back so that it is seated behind the mounting surface completely.
- Tighten the two flat head 4-40 x 1-1/2 in. screws to secure the bracket to the mounting surface.

Attach the Light Bar to the TS-5-MSMK

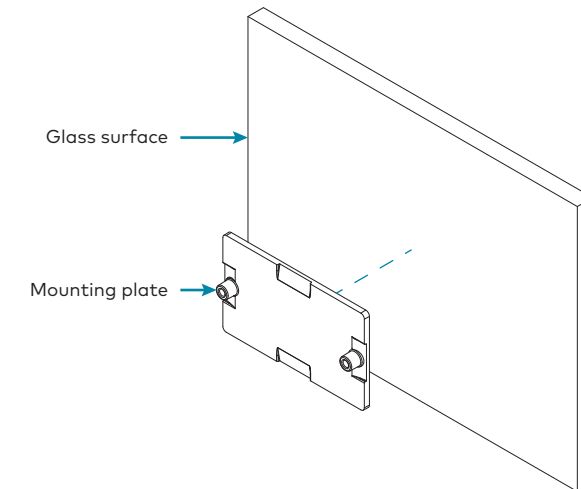
The light bar may also be attached to the TS-5-MSMK multisurface mounting kit for applications where the touch screen will be mounted to a flat pane of glass or a similar smooth surface (such as granite, marble, plaster, or smooth stone and masonry). For more information on installing the TS-5-MSMK, refer to the TS-5-MSMK Quick Start (Doc. 8427) at www.crestron.com/manuals.

The following supplies (not included) are required for this installation: a level, a roll of tape, a Phillips screwdriver, and a surface cleaning product that does not leave a residue.

Attach the TS-5-MSMK Mounting Plate to the Surface

- Clean and dry the mounting surface thoroughly.
- Use a level to tape a horizontal reference line to the surface to align with the lower edge of the mounting plate.
- Remove the protective covering from the rear of the TS-5-MSMK mounting plate.

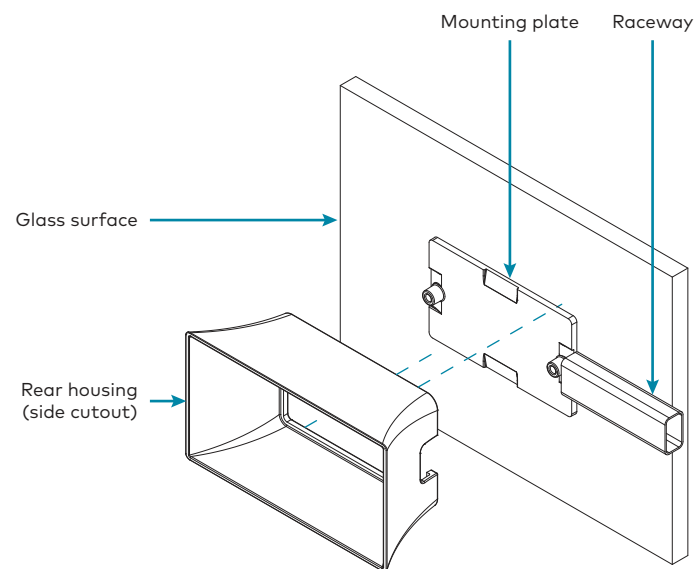
CAUTION: The adhesive on the rear of the mounting plate is high-strength bond. Once the adhesive comes in contact with a surface, it cannot be removed easily.
- Hold the mounting plate at a 45-degree angle to the surface, and then carefully align the lower edge of the pad with the taped reference line. Do not allow the adhesive to come in contact with the surface.
- Attach the mounting plate to the surface, starting with the bottom edge near the taped reference line. Press the pad to the surface firmly to ensure proper adhesion and to eliminate any trapped air bubbles.



Attach the TS-5-MSMK Rear Housing to the Mounting Plate

The TS-5-MSMK ships with two rear housings: one with a cutout hole in the top of the housing and one with a cutout hole in the side of the housing. Use the rear housing that supports the desired cable route. The unused rear housing may be retained for future use.

- Loosely route any necessary cables through the cutout hole in the chosen rear housing and out of the center opening of the rear housing.
- Remove the protective strips from the rear of the TS-5-MSMK rear housing.
- Hold the rear housing at a 45-degree angle to the surface, and then carefully align the lower edge of the rear housing with the mounting plate. Do not allow the adhesive to come in contact with the surface.
- Attach the rear housing to the surface, starting with the bottom edge near the mounting plate. Press the rear housing to the surface firmly to ensure proper adhesion and to eliminate any trapped air bubbles.

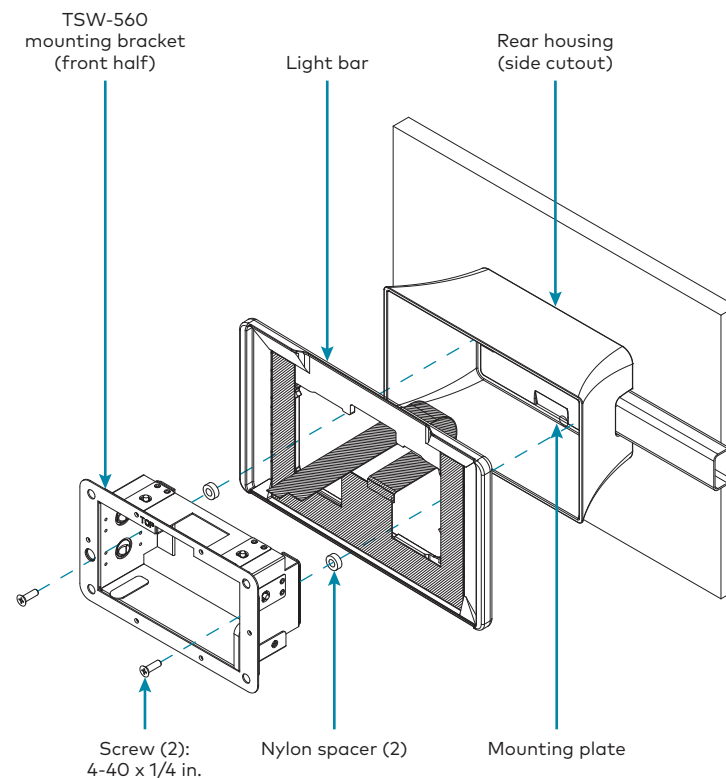


- Route any necessary cables through the top, left, or right cutouts in the mounting frame and out of the center opening of the frame.

NOTE: The raceway shown in the image above is included with the TS-5-MSMK and conceals cables running to the touch screen. The raceway can be installed to the surface before or after the mounting frame is installed. For more information, refer to the TS-5-MSMK Quick Start (Doc. 8427).

Attach the Light Bar to the TS-5-MSMK

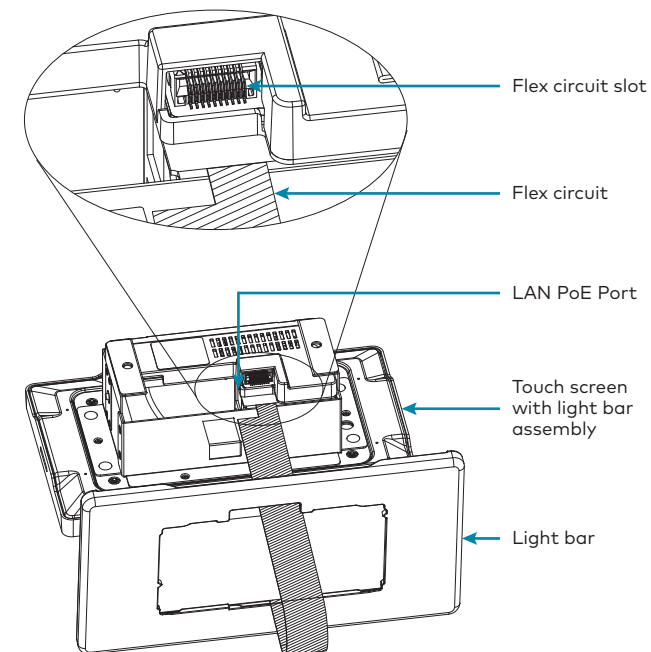
- Separate the two halves of the TSW-560 mounting bracket as described in steps 1-3 of "Attach the Light Bar to the Mounting Bracket."
NOTE: The rear half of the TSW-560 mounting bracket is not used in this installation.
- Remove the protective covering from the two nylon spacers included with the TS-5-MSMK.
- Adhere the nylon spacers to the two raised screw holes in the mounting plate.
- Align the light bar in between the front half of the TSW-560 mounting bracket and the rear housing as shown in the illustration below.
- Attach the light bar to the front half of the mounting bracket.
NOTE: Pull the flex circuit attached to the light bar through the opening in the mounting bracket after the light bar is attached to the mounting bracket.
- Use the two 4-40 x 1/4 in. screws included with the TS-5-MSMK to attach the front half of the TSW-560 mounting bracket to the mounting plate through the center opening of the rear housing. The screws attach to the two nylon spacers (installed in step 3).



To complete the TS-5-MSMK installation, refer to the TS-5-MSMK Quick Start (Doc. 8427).

Complete the Installation

- Hold the TSW-560 at a 90-degree angle.
- Insert the narrow end of the flex circuit into the center of the flex circuit slot on the rear of the light bar assembly. The teeth on either side of the slot secure the circuit.
NOTE: The light bar in the image below is shown detached from the TSW-560 mounting bracket and the mounting surface for illustrative purposes only.



- Connect the Ethernet cable to the LAN PoE port on the TSW-560.
- Push the TSW-560 into its mounting bracket.

Custom Program the TSW-560-LB

The brightness of the TSW-560-LB may be controlled using custom programming:

- When the TSW-560-LB is connected to the TSW-560, brightness is controlled by sending a custom property to the TSW-560 in Crestron Fusion® software. For more information, refer to the embedded Crestron Fusion help file.
- Custom Programming may also be performed in SIMPL Windows or Crestron Studio® software via a device extender on the TSW-560.

For Additional Information

Scan or click the QR code for detailed product information.



TSW-560-LB-B

Compliance and Legal

Original Instructions: The U.S. English version of this document is the original instructions. All other languages are a translation of the original instructions.

As of the date of manufacture, the product has been tested and found to comply with specifications for CE marking.



Federal Communications Commission (FCC) Compliance Statement

This device complies with part 15 of the FCC Rules. Operation is subject to the following conditions: (1) This device may not cause harmful interference and (2) this device must accept any interference received, including interference that may cause undesired operation.

CAUTION: Changes or modifications not expressly approved by the manufacturer responsible for compliance could void the user's authority to operate the equipment.

NOTE: This equipment has been tested and found to comply with the limits for a Class B digital device, pursuant to part 15 of the FCC Rules. These limits are designed to provide reasonable protection against harmful interference in a residential installation. This equipment generates, uses and can radiate radio frequency energy and, if not installed and used in accordance with the instructions, may cause harmful interference to radio communications. However, there is no guarantee that interference will not occur in a particular installation. If this equipment does cause harmful interference to radio or television reception, which can be determined by turning the equipment off and on, the user is encouraged to try to correct the interference by one or more of the following measures:

- Reorient or relocate the receiving antenna.
- Increase the separation between the equipment and receiver.
- Connect the equipment into an outlet on a circuit different from that to which the receiver is connected.
- Consult the dealer or an experienced radio/TV technician for help.

Industry Canada (IC) Compliance Statement

CAN ICES-3 (B)/NMB-3(B)

The product warranty can be found at www.crestron.com/warranty.

The specific patents that cover Crestron products are listed at www.crestron.com/legal/patents.

Certain Crestron products contain open source software. For specific information, please visit www.crestron.com/opensource.

Crestron, the Crestron logo, Crestron Fusion, and Crestron Studio are either trademarks or registered trademarks of Crestron Electronics, Inc. in the United States and/or other countries. Other trademarks, registered trademarks, and trade names may be used in this document to refer to either the entities claiming the marks and names or their products. Crestron disclaims any proprietary interest in the marks and names of others. Crestron is not responsible for errors in typography or photography.

©2019 Crestron Electronics, Inc.

Crestron Electronics, Inc.
15 Volvo Drive, Rockleigh, NJ 07647
Tel: 888.CRESTRON
Fax: 201.767.7576
www.crestron.com

Quick Start - Doc. 8367B
(2053081)

01.19
Specifications subject to change without notice.