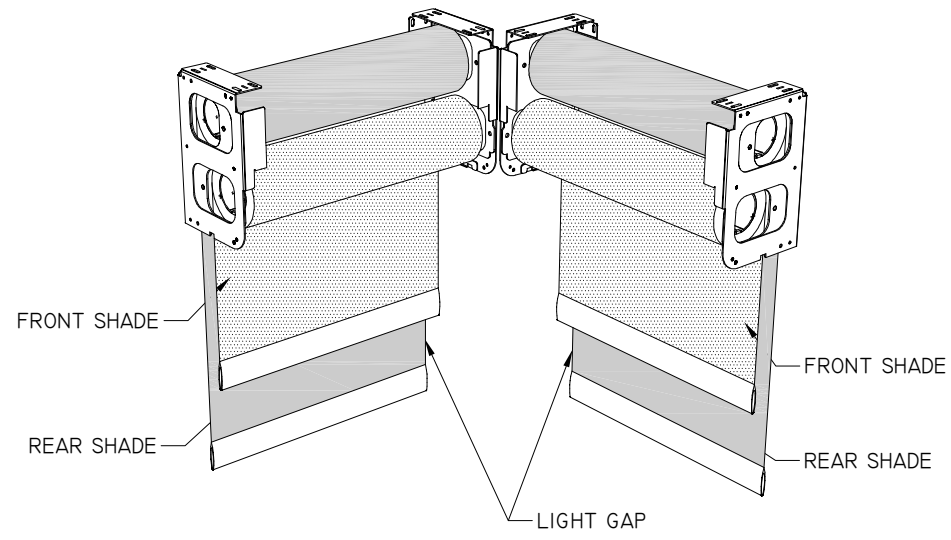


LIGHT GAP		
QMT 5	2.5" Spline	8 1/8" [206mm]



ARCH 5 SERIES DUAL SHADE
 SYMMETRICAL REGULAR ROLL
 CORNER CONDITION

CRESTRON
 15 VOLVO DRIVE
 ROCKLEIGH NJ 07647
 TEL: 888-273-7876
 WWW.CRESTRON.COM

DWG. # MA5D-402
 SCALE: 6" = 1'-0"
 DATE: 02.27.15
 REV.: