

FT2A-CP Series

Connector Plates for FT2-ELEC Series FlipTops™

The Crestron® FT2A-CP series connector plates offer an interface solution for use with the FT2-ELEC series FlipTop™ system. Each connector plate installs in a single module slot within the FlipTop to provide connectivity for AV sources and mobile devices (i.e., laptops, tablets, etc.) using separate interface cables (not included).

NOTE: The FT2A-CP series connector plates are active modules and therefore only compatible with the FT2-ELEC series FlipTops. The modules are not compatible with the FT2-MECH series FlipTops.

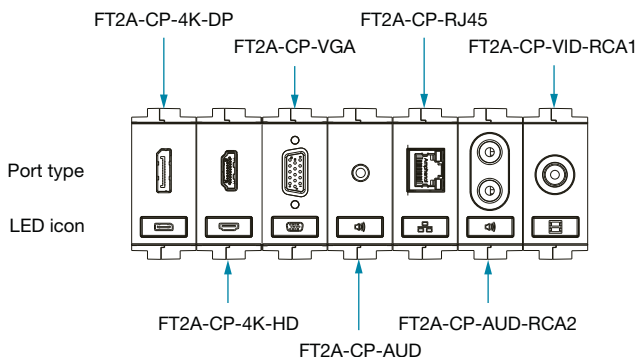
Check the Box

Item	Qty
FT2A-CP-RJ45, FT2A-CP-AUD-RCA2, FT2A-CP-4K-HD, FT2A-CP-4K-DP, FT2A-CP-VGA, FT2A-CP-AUD or FT2A-CP-VID-RCA1	1

Overview

Crestron offers several models of connector plates, including DisplayPort™ and HDMI® modules that are capable of passing video signals up to 4K60 4:4:4 and have a minimum bandwidth of 18 Gbps. Additional models support VGA, stereo audio, composite video, and Ethernet. A backlit LED permits the user to identify a connection at the table. Each LED features an international symbol indicating the connection type and lights when the module connects to a FlipTop power bus.

FT2A-CP Modules



Each FT2A-CP module is 0.98 in. x 1.97 in. (25mm x 50 mm) and requires one empty module slot in the FlipTop for installation.

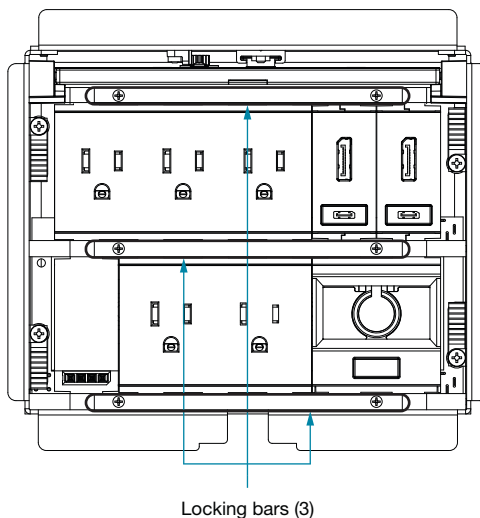
Install the Module

NOTE: The FT2A-CP module is only compatible with the FT2-ELEC series FlipTops.

Install the FT2A-CP module into the FlipTop assembly. If the bezel and locking bars have not been installed on the FT2 FlipTop assembly, skip to step 4.

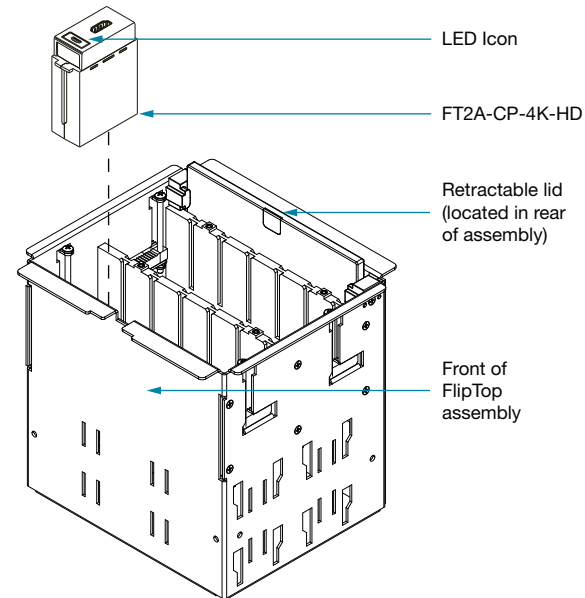
1. Tap the lid retraction button to retract the one-touch lid, which disappears into the FT2 FlipTop assembly. If the assembly has two lids, open both.
2. Remove and retain the magnetic bezel from the FT2 FlipTop assembly by grasping the inside of the bezel and firmly pulling it up and away from the assembly until the magnetic hold is broken.
3. Using a manual torque screwdriver, unscrew, remove, and retain the two locking bars on either side of the module row where the module is to be installed. For example, if installing the FT2-CP module in the bottom row of a FlipTop, remove the middle and bottom locking bars.

Locking Bar Location



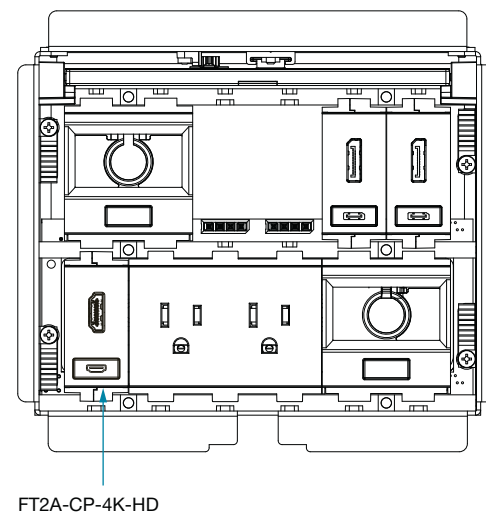
4. Orient the connector plate so that the module's LED icon is facing toward the front of the FlipTop assembly as shown in the next column. Connect the cable to the bottom of the module and feed it through the empty module slot.

Positioning the FT2A-CP Module (FT2A-CP-4K-HD shown)



5. Push the top of the module down so it slides into the appropriate module slot in the FlipTop assembly. Use the guide ribs on the front and rear of each module to help position the module in the assembly.

Installing the FT2A-CP-4K-HD into the FlipTop Assembly - Overhead View

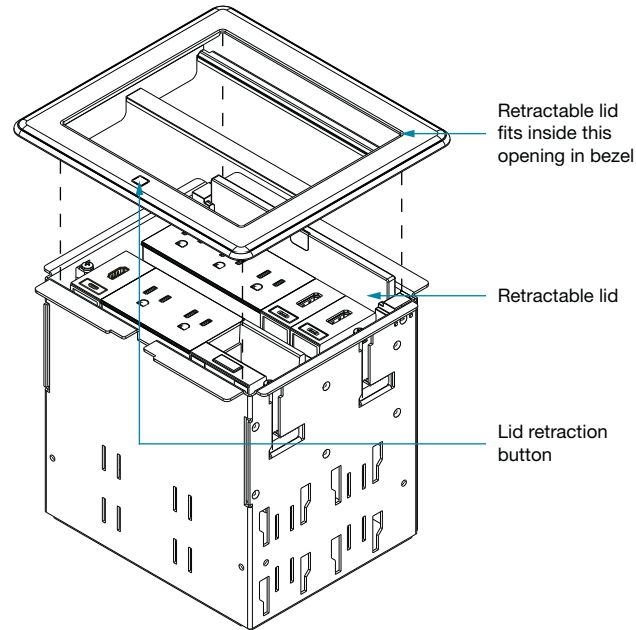


- Under the table, dress the cable connecting the module as necessary and route it to its destination.

NOTE: Crestron recommends using a wire tie to relieve strain on the cable connected to the bottom of each module.

- Confirm that all modules are level with their surroundings and place the locking bars into position so that the screws on either side engage the screw holes in the assembly.
- Using a manual torque screwdriver set to its lowest possible setting, hand tighten the locking bar screws until the locking bars are secured to the FT2 FlipTop assembly.
- Place the bezel onto the FT2 FlipTop assembly so that the retractable lid fits inside the bezel opening. The bezel is held in place using magnets.

Attaching the Bezel to the FlipTop Assembly with FT2A-CP-4K-HD Installed



Additional Information

Scan or click the QR code for detailed product information.



FlipTops

HDMI

Compliance and Legal

Original Instructions: The U.S. English version of this document is the original instructions. All other languages are a translation of the original instructions.

As of the date of manufacture, the product has been tested and found to comply with specifications for CE marking.



Federal Communications Commission (FCC) Compliance Statement

This device complies with part 15 of the FCC Rules. Operation is subject to the following conditions: (1) This device may not cause harmful interference and (2) this device must accept any interference received, including interference that may cause undesired operation.

CAUTION: Changes or modifications not expressly approved by the manufacturer responsible for compliance could void the user's authority to operate the equipment.

NOTE: This equipment has been tested and found to comply with the limits for a Class B digital device, pursuant to part 15 of the FCC Rules. These limits are designed to provide reasonable protection against harmful interference in a residential installation. This equipment generates, uses and can radiate radio frequency energy and, if not installed and used in accordance with

the instructions, may cause harmful interference to radio communications. However, there is no guarantee that interference will not occur in a particular installation. If this equipment does cause harmful interference to radio or television reception, which can be determined by turning the equipment off and on, the user is encouraged to try to correct the interference by one or more of the following measures:

- Reorient or relocate the receiving antenna.
- Increase the separation between the equipment and receiver.
- Connect the equipment into an outlet on a circuit different from that to which the receiver is connected.
- Consult the dealer or an experienced radio/TV technician for help

Industry Canada (IC) Compliance Statement

CAN ICES-3 (B)/NMB-3(B)

The product warranty can be found at www.crestron.com/warranty.

The specific patents that cover Crestron products are listed at www.crestron.com/legal/patents.

Certain Crestron products contain open source software. For specific information, please visit www.crestron.com/opensource.

Crestron, the Crestron logo, and FlipTop are either trademarks or registered trademarks of Crestron Electronics, Inc. in the United States and/or other countries. DisplayPort is either a trademark or registered trademark of Video Electronics Standards Association in the United States and/or other countries. HDMI and the HDMI logo are either trademarks or registered trademarks of HDMI Licensing LLC in the United States and/or other countries. Other trademarks, registered trademarks, and trade names may be used in this document to refer to either the entities claiming the marks and names or their products. Crestron disclaims any proprietary interest in the marks and names of others. Crestron is not responsible for errors in typography or photography.

©2019 Crestron Electronics, Inc.

Crestron Electronics, Inc.
15 Volvo Drive, Rockleigh, NJ 07647
Tel: 888.CRESTRON
Fax: 201.767.7576
www.crestron.com

**Quick Start - Doc. 8223C
(2053576)
03.19**

Specifications subject to change without notice.