

IDOC-PAD-LCA2-DSC

iPanel® Table Dock for iPad Air® 2 & iPad Pro® 9.7

- > Provides a stylish table dock for an Apple® iPad Air® 2 or iPad Pro® 9.7 device^[1]
- > Transforms the iPad® device into a stationary touch screen
- > Affords seamless control system integration using the Crestron® App^[2]
- > Ideal for use with Crestron Pyng®^[2]
- > Charges the iPad device while docked
- > Retains use of the device's microphone, speaker, camera, and buttons
- > Allows for easy docking and undocking
- > Available in smooth white or black finishes

The Crestron® iPanel® Table Dock (IDOC-PAD-LCA2-DSC) provides a stylish tabletop docking solution for an Apple® iPad Air® 2 or iPad Pro® 9.7 device.^[1] The iPanel dock simultaneously charges the iPad® device while allowing it to be used to control a home, business, boardroom, or classroom. The iPad device slides easily into the iPanel dock, instantly transforming it into a stationary tabletop touch screen. The iPad device can be removed just as easily from the iPanel dock to resume portable use at any time.

As part of a complete Crestron control solution, an iPad device offers a very powerful and practical touch screen controller for home theater, whole-house automation, and commercial AV and room control applications. Crestron Control® is enabled on the iPad device by downloading and installing the [Crestron App](#)^[2], providing professional Crestron touch screen functionality through a very stylish and highly-customizable graphical interface. Adding the iPanel dock affords the advantage of tabletop touch screen operation and battery charging.

iPanel docks are also ideal for use with [Crestron Pyng](#)®.

SPECIFICATIONS

Power Requirements

Power Pack: 2.4 Amps (12 Watts) @ 100-240 Volts AC, 50/60 Hz; Includes Apple 12W USB Power Adapter and 3.28 ft (1 m) Lightning® to USB cable; does not include Apple World Travel Adapter Kit

Environmental

Temperature: 32° to 95° F (0° to 35° C)
Humidity: 10% to 90% RH (non-condensing)

Construction

Smooth black or white plastic with aluminum base

Dimensions

Height: 6.92 in (176 mm)
Width: 10.14 in (258 mm);
10.61 in (270 mm) with iPad device docked
Depth: 5.73 in (146 mm)



Weight

21.0 oz (596 g)

MODELS & ACCESSORIES

Available Models

IDOC-PAD-LCA2-DSC-B: iPanel® Table Dock for iPad Air® 2 & iPad Pro® 9.7, Black
IDOC-PAD-LCA2-DSC-W: iPanel® Table Dock for iPad Air® 2 & iPad Pro® 9.7, White

Available Accessories

CRESTRON-APP-PAD: Crestron® App for iPad®
CRESTRON-PYNG: Crestron Pyng® Setup & Home Control App
CEN-NVS200: Network Video Streamer
DM-TXRX-100-STR: HD Streaming Transmitter/Receiver

Notes:

1. For iPad Air 2 and iPad Pro 9.7 devices only. For 1st generation iPad Air, use model [IDOC-PAD-LCA-DSC](#). iPad device not included.
2. Item(s) sold separately.

This product may be purchased from an authorized Crestron dealer. To find a dealer, please contact the Crestron sales representative for your area. A list of sales representatives is available online at www.crestron.com/salesreps or by calling 800-237-2041.

The specific patents that cover Crestron products are listed online at: patents.crestron.com.

IDOC-PAD-LCA2-DSC iPad® Table Dock for iPad Air® 2 & iPad Pro® 9.7

Certain Crestron products contain open source software. For specific information, please visit www.crestron.com/opensource.

Crestron, the Crestron logo, Crestron Control, Crestron Pyng, and iPad are either trademarks or registered trademarks of Crestron Electronics, Inc. in the United States and/or other countries. Apple, iPad, iPad Air, iPad Pro, and Lightning are either trademarks or registered trademarks of Apple Inc. in the United States and/or other countries. Other trademarks, registered trademarks, and trade names may be used in this document to refer to either the entities claiming the marks and names or their products. Crestron disclaims any proprietary interest in the marks and names of others. Crestron is not responsible for errors in typography or photography. Specifications are subject to change without notice. ©2017 Crestron Electronics, Inc.



IDOC-PAD-LCA2-DSC-B
Front View with iPad Air 2 Docked

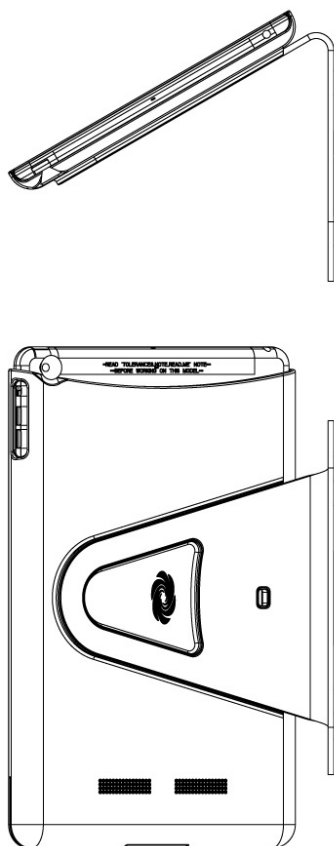
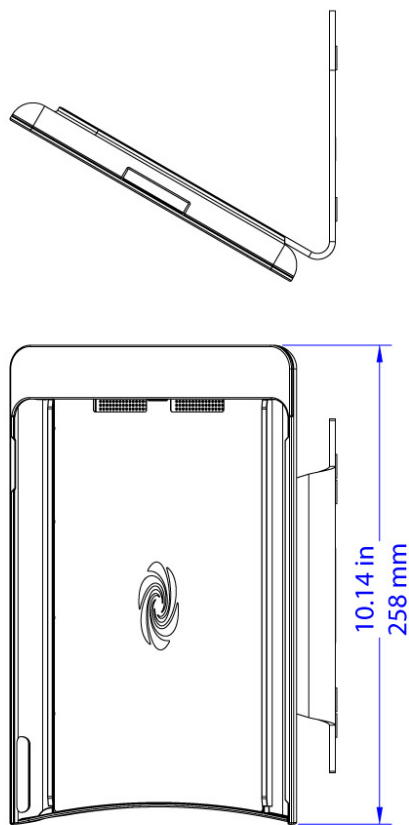
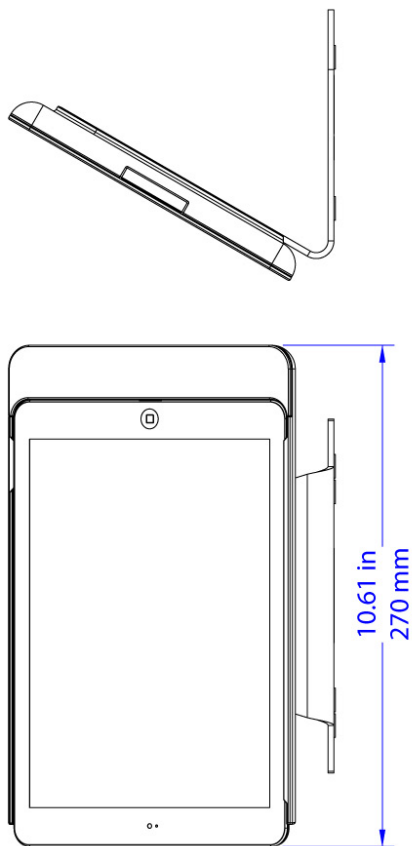


IDOC-PAD-LCA2-DSC-B
Front View without iPad Air 2



IDOC-PAD-LCA2-DSC-B
Rear View

IDOC-PAD-LCA2-DSC iPad® Table Dock for iPad Air® 2 & iPad Pro® 9.7



iPad Air 2 device not included

