

# FT2A-PWR US Series

## AC Power Outlet Modules for FT2 Series

The Crestron® FT2A-PWR-US-1, FT2A-PWR-US-2, FT2A-PWR-US-3, and FT2A-PWR-US-1-BASIC are modules designed for installation in Crestron FT2 FlipTop™ assemblies.

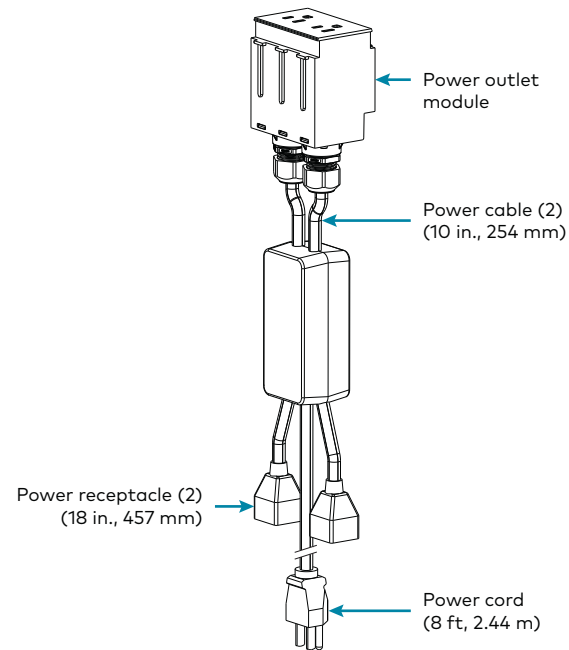
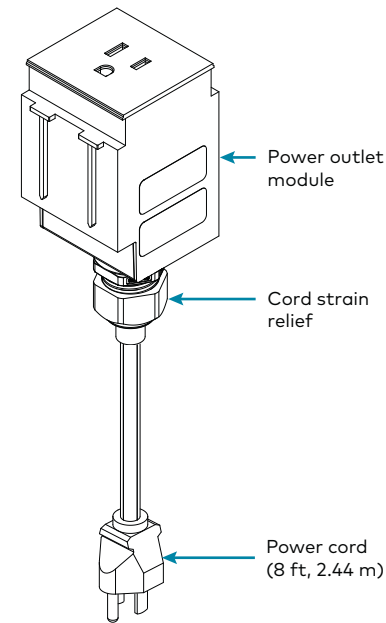
The outlet modules provide up to 3 NEMA AC power outlets on top of the table. An 8 ft (2.44 m) three-prong power cord is fixed to the bottom of the module. The premium US power modules (FT2A-PWR-US-1, FT2A-PWR-US-2, and FT2A-PWR-US-3) provide two under-the-table receptacles for power switchers, HDBaseT transmitters, chargers, and other devices. Each module is UL® Standards listed and is rated for 10 amps (total) at 125 V, 50/60 Hz. The following table provides a size and feature comparison among models.

Module Model	Module Slots Required	Outlets on Top of the Table	Outlets Beneath the Table
FT2A-PWR-US-1	2	1	2
FT2A-PWR-US-2	3	2	2
FT2A-PWR-US-3	4	3	2
FT2A-PWR-US-1-BASIC	2	1	None

Below are illustrations of the FT2A-PWR-US-1-BASIC and an example of premium US power modules. The premium US power modules (FT2A-PWR-US-1, FT2A-PWR-US-2, and FT2A-PWR-US-3) are structurally similar.

### FT2A-PWR-US-1-BASIC Module

### Premium US Power Module (FT2A-PWR-US-2 shown)



## Check the Box

Item	Qty
FT2A-PWR-US-1, FT2A-PWR-US-2, FT2A-PWR-US-3, or FT2A-PWR-US-1-BASIC	1

## Install the Module

Install the power outlet module into the FT2 FlipTop assembly. If the bezel and locking bars have not been installed on the FT2 FlipTop assembly, skip to step 6.

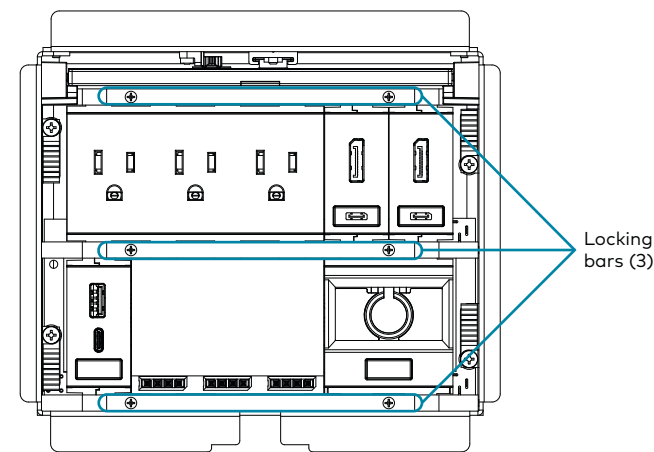
To install the power outlet module:

**NOTE:** For ease of installation, install power outlet modules before installing any other module.

1. Tap the lid retraction button to retract the one-touch lid, which disappears into the FT2 FlipTop assembly. If the assembly has two lids, open both.
2. Remove and retain the magnetic bezel from the FT2 FlipTop assembly by grasping the inside of the bezel and firmly pulling it up and away from the assembly until the magnetic hold is broken.
3. Using a manual torque screwdriver, unscrew and remove and retain the two locking bars on either side of the module row where the module is to be installed.

**NOTE:** In this example, an FT2A-PWR-US-2 power outlet module replaces three preinstalled blank plate modules inside the FT2-700-ELEC (front row). The installation process is identical for other power outlet modules, except for the number of module slots required.

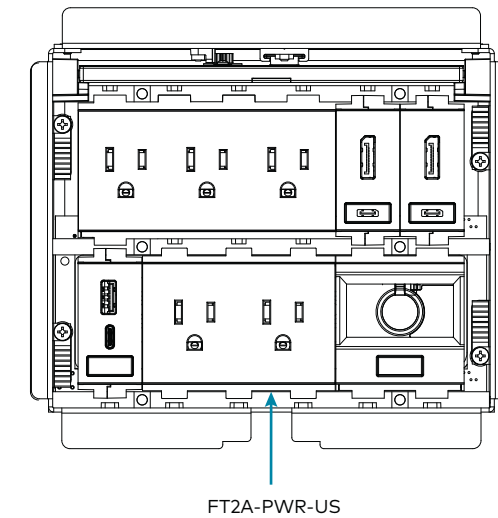
### Remove Two Locking Bars



4. Lift and remove the modules you wish to replace.
5. Insert the power cables through the empty module slots.

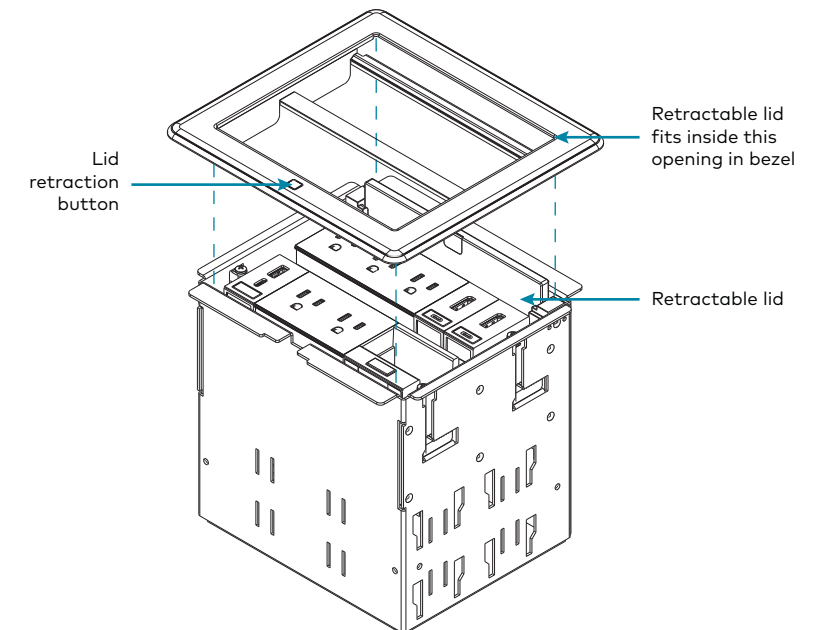
6. Orient the module as shown in the following illustration and slide it down into the appropriate module slots. Use the guide ribs on the front and rear of the module to help position it in the assembly.

### Position the Module (FT2A-PWR-US-2 shown)



7. Confirm that all modules are level with their surroundings and place the locking bars (removed in step 3) into position so that the screws on either side engage the screw holes in the assembly.
8. Using a manual torque screwdriver set to its lowest possible setting, hand tighten the locking bar screws until the locking bars are secured to the FT2 FlipTop assembly.
9. Place the bezel (removed in step 2) onto the FT2 FlipTop assembly so that the retractable lid fits inside the bezel opening. The bezel is held in place using magnets.

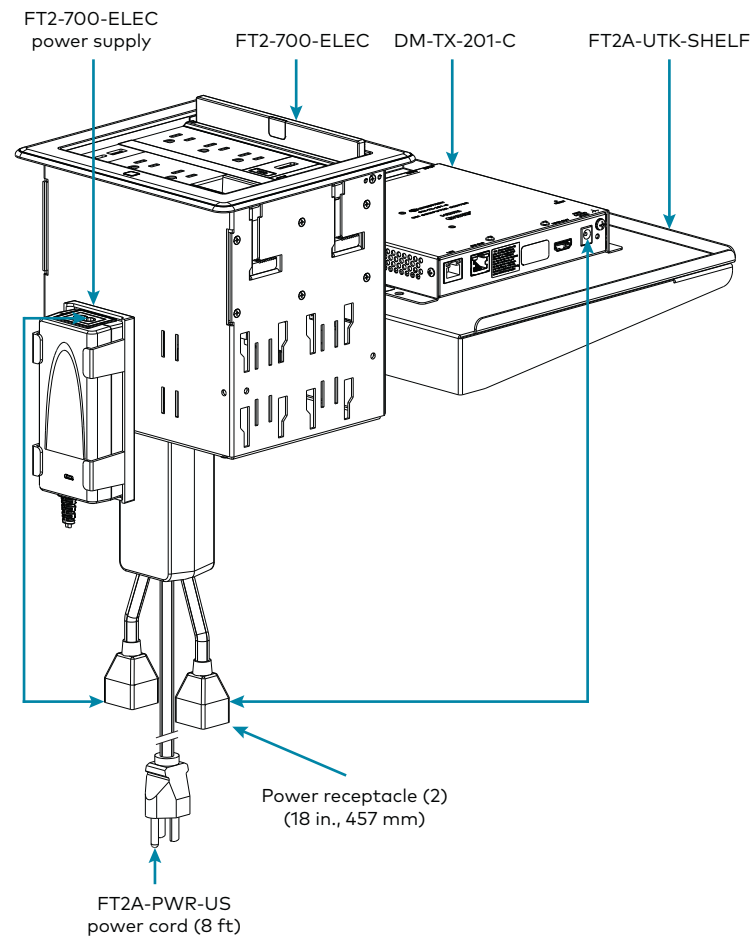
### Attach the Bezel to the Assembly



## Connect the Module Beneath the Table

The FT2A-PWR-US-1, FT2A-PWR-US-2, and FT2A-PWR-US-3 provide two NEMA ac power receptacles beneath the table (the FT2A-PWR-US-1-BASIC does not). Use these receptacles to provide power to an electrical FT2 FlipTop assembly and to devices installed below the surface within the FT2 FlipTop assembly system.

### Make Connections Beneath the Table (FT2A-PWR-US-2 Module Shown)



To activate the power outlet module, insert the three-prong power cord into a nearby AC wall or floor outlet.

## Operate the Module Above the Table

To operate the power outlet module:

1. Tap the lid retraction button to retract the one-touch lid, which disappears into the FT2 FlipTop assembly.
2. Connect the device needing power to one of the available outlets on the module.
3. Confirm that the power indicator on the device shows that the device is receiving power.

## For Additional Information

Scan or click the QR code for detailed product information.



FT2A-PWR-US-1



FT2A-PWR-US-2



FT2A-PWR-US-3



FT2A-PWR-US-1-BASIC

## Compliance and Legal

**Original Instructions:** The U.S. English version of this document is the original instructions. All other languages are a translation of the original instructions.

**Regulatory Models:** FT2A-PWR-US-1 FT2A-PWR-US-1-BASIC FT2A-PWR-US-2 FT2A-PWR-US-3

### Federal Communications Commission (FCC) Compliance Statement

This device complies with part 15 of the FCC Rules. Operation is subject to the following conditions: (1) This device may not cause harmful interference and (2) this device must accept any interference received, including interference that may cause undesired operation.

**CAUTION:** Changes or modifications not expressly approved by the manufacturer responsible for compliance could void the user's authority to operate the equipment.

**NOTE:** This equipment has been tested and found to comply with the limits for a Class B digital device, pursuant to part 15 of the FCC Rules. These limits are designed to provide reasonable protection against harmful interference in a residential installation. This equipment generates, uses and can radiate radio frequency energy and, if not installed and used in accordance with the instructions, may cause harmful interference to radio communications. However, there is no guarantee that interference will not occur in a particular installation. If this equipment does cause harmful interference to radio or

television reception, which can be determined by turning the equipment off and on, the user is encouraged to try to correct the interference by one or more of the following measures:

- Reorient or relocate the receiving antenna.
- Increase the separation between the equipment and receiver.
- Connect the equipment into an outlet on a circuit different from that to which the receiver is connected.
- Consult the dealer or an experienced radio/TV technician for help.

This product is Listed to applicable UL® Standards and requirements tested by Underwriters Laboratories Inc.



The product warranty can be found at [www.crestron.com/warranty](http://www.crestron.com/warranty).

The specific patents that cover Crestron products are listed at [www.crestron.com/legal/patents](http://www.crestron.com/legal/patents).

Certain Crestron products contain open source software. For specific information, please visit [www.crestron.com/opensource](http://www.crestron.com/opensource).

Crestron, the Crestron logo, and FlipTop are either trademarks or registered trademarks of Crestron Electronics, Inc. in the United States and/or other countries. UL and the UL logo are either trademarks or registered trademarks of Underwriters Laboratories, Inc. in the United States and/or other countries. Other trademarks, registered trademarks, and trade names may be used in this document to refer to either the entities claiming the marks and names or their products. Crestron disclaims any proprietary interest in the marks and names of others. Crestron is not responsible for errors in typography or photography.

©2019 Crestron Electronics, Inc.

**Crestron Electronics, Inc.**  
15 Volvo Drive, Rockleigh, NJ 07647  
Tel: 888.CRESTRON  
Fax: 201.767.7576  
[www.crestron.com](http://www.crestron.com)

**Quick Start - Doc. 8218C**  
(2053217)  
03.19

Specifications subject to change without notice.