



Description

The Crestron® CSA-ARCH5-BRKT-DUAL is a mounting system that allows two Crestron shades to be mounted on a wall, ceiling, pocket, or window jamb. Extrusions for concealing shades include square or curved fascia, top and back covers, and pockets. Accessories for creating blackout conditions, such as sill angles and side channels, are also available.

Additional Resources

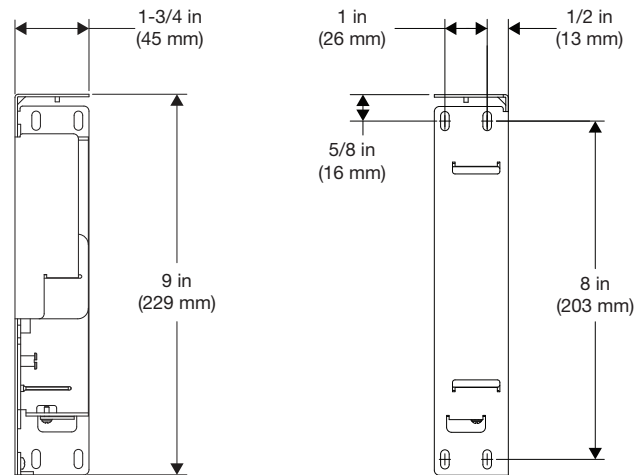
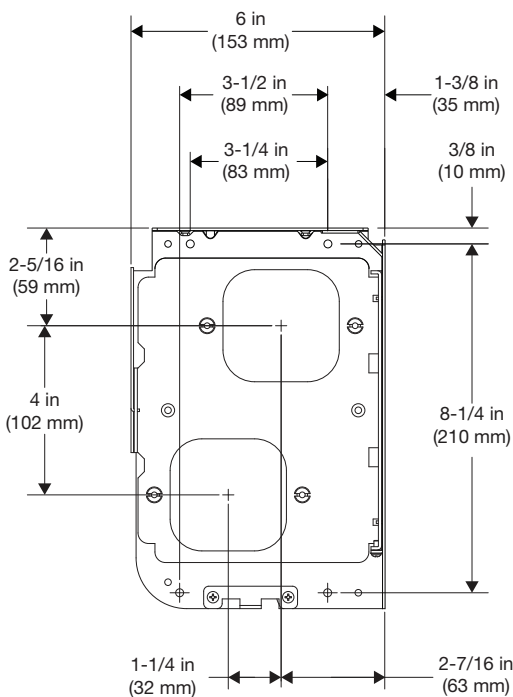
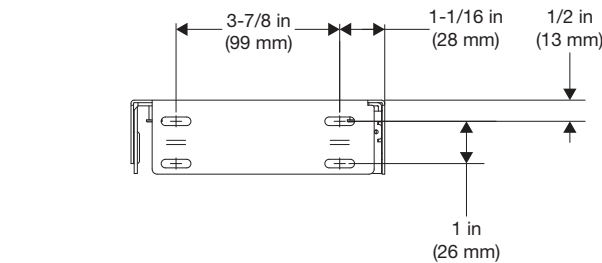
Visit the product page on the Crestron website (www.crestron.com) for additional information and the latest firmware updates. Use a QR reader application on your mobile device to scan the QR image.



Install the Brackets

The CSA-ARCH5-BRKT-DUAL is mounted to the wall using the two supplied brackets. The end caps (optional) and roller shade assembly then attach to the brackets. Refer to the following illustrations for bracket dimensions.

Dimensions: Mounting Bracket (Dimensions are the same for both brackets.)



CAUTION: There is risk of personal injury and equipment damage if the shade or associated parts fall during installation. Use care when installing. Use proper mounting hardware (e.g., screws or bolts) for the mounting surface when securing the brackets to the surface.

CAUTION: Proper installation of shades requires two or more people. Large shades and medium-sized coupled shades will require three people.

NOTE: The screws that are provided with the mounting brackets are intended for use on walls (or jambs) with wood or metal blocking. Do not use these screws for hollow drywall or masonry installations. It is the responsibility of the installer to ensure that the mounting method used is secure.

Install the brackets.

1. Check for a proper fit by holding the roller shade assembly in the approximate mounting location. If using a fascia, use the fascia to measure the proper distance between mounting brackets. The brackets should be mounted flush with the end of the fascia.
2. Mark the locations of the brackets and ensure that the mounting points are level and on the same plane. Use a laser level or snap a chalk line to mark the locations of the brackets. The brackets should be spaced according to the specifications on the order form.

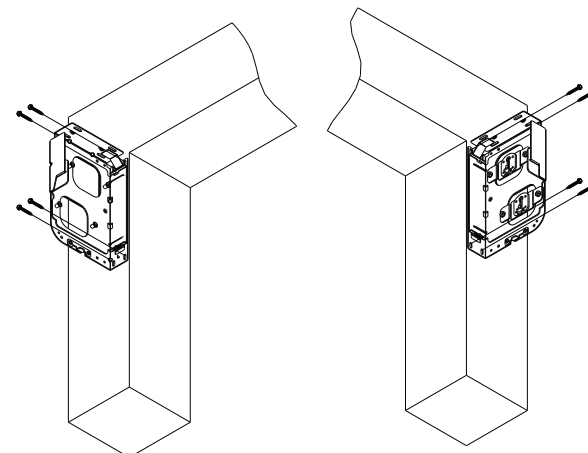
NOTE: Refer to the QMT5 Series Shade Coupler Installation Guide (Doc. 7852) for details on mounting the coupler bracket.

NOTE: End caps are used only in conjunction with a fascia and when outside mounted. If inside mounted, end caps are not required unless shade brackets protrude from the window. Adding end caps for an inside mount will cause light gaps to increase.

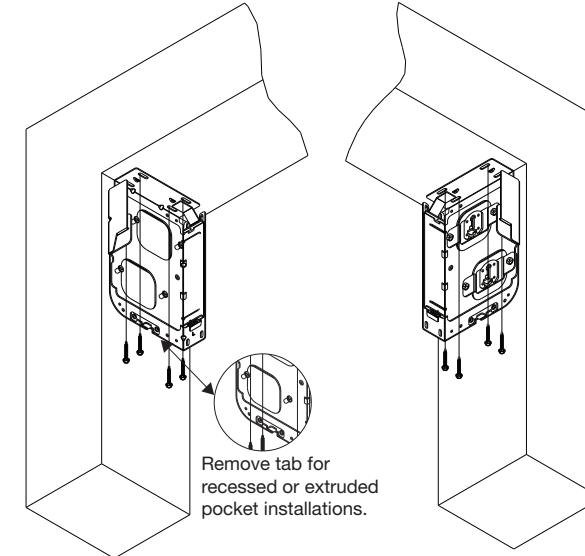
3. If using end caps, attach the end caps to the mounting brackets by following the stamped directions on the end caps. The end caps snap into place.
4. Fasten the brackets to the outside of the window frame (outside mount) or the inside of the window frame (inside mount) hardware that is appropriate for the mounting surface. Make sure the brackets are level and on a flat surface.

NOTE: The L and R that are stamped onto the brackets should face the wall and window.

Mounting the Brackets: Outside Mount



Mounting the Brackets: Inside Mount



5. For a recessed or extruded pocket, the tab on the motor-side bracket must be removed to install the shade. It is not necessary to reattach the tab after the shade is installed.

NOTE: For inside mounts, screw the mounting brackets into the window jamb (as pictured above) or into the window header.

NOTE: When using a fascia, align the brackets with the width of the fascia before attaching them to the header.

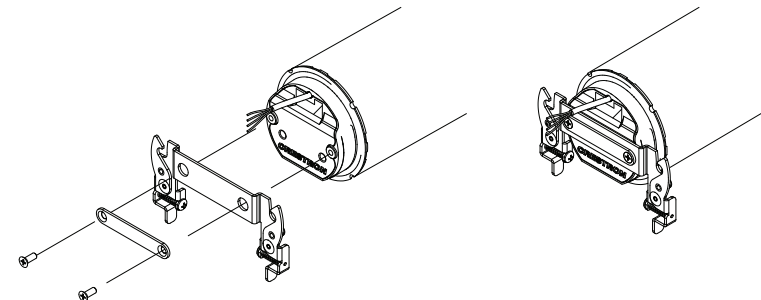
Mount the Roller Shade Assembly

CAUTION: There is risk of personal injury and equipment damage if the shade or associated parts fall during installation. Use care when installing. Use proper mounting hardware (e.g., screws or bolts) for the mounting surface when securing the brackets to the surface.

Before assembling the roller shade, mount the quick-release latch to the shade motor. Use a Phillips screwdriver and the supplied screws to mount the quick-release latch to the motor. Refer to the illustration below for details.

NOTE: Observe the following points:

- Orient the latch so that the release levers point in the same direction as the buttons.
- When the latch is mounted to the motor, the raised side of the latch faces the window jamb.
- The latch must be seated flat against the motor head. The holes on the latch must be seated around the bosses and flush against the motor head to ensure proper placement of the latch.
- Once the latch is properly seated against the motor, install the two supplied screws through the countersunk nut-plate, and then tighten. Ensure that the screw heads are flush with the nut-plate after installation.

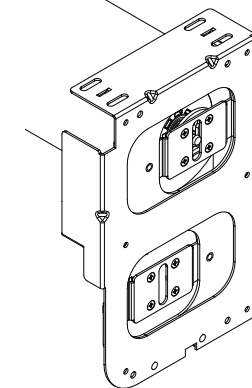


NOTE: Install the top shade nearest the window first, and then repeat this procedure for the lower shade.

Once the mounting brackets are in place, install the roller shade assembly.

1. Insert the idler pin into the top of the keyhole on the right bracket and slide it down into the keyhole. The idler pin sits on the vertical adjustment screw.

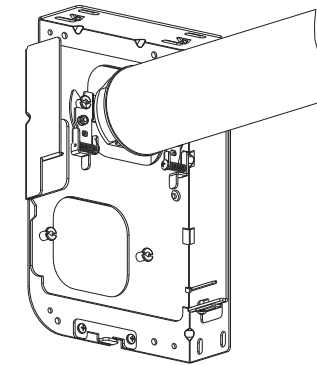
Insert the Idler Pin into the Keyhole.



2. Raise the motor end of the roller shade assembly to the motor bracket.
3. Push the roller shade assembly toward the idler bracket to compress the spring on the idler pin, and align the latch on the motor to the posts on the bracket.

4. Push the motor side up to engage the latch onto the posts. When the shade is properly seated, the two clips spring down to secure the motor to the bracket. Ensure both posts are properly engaged and locked into place by the latch before letting go.

Secure the Motor to the Motor Bracket.

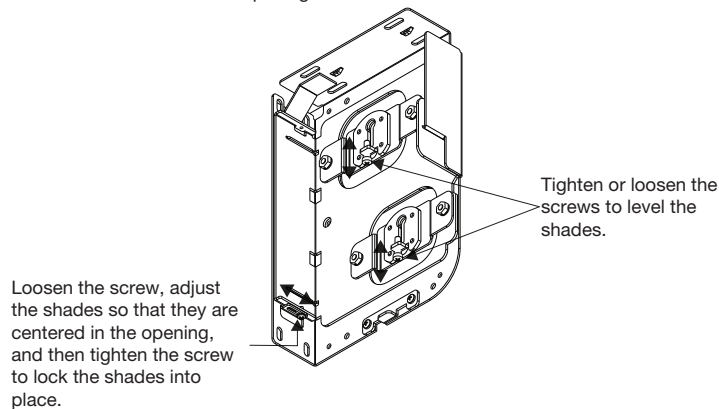


5. Repeat steps 1 through 4 for the other roller shade assembly.

Adjust the Roller Shade Assembly

WARNING: Care has been taken to ensure that the shade is properly balanced. Prior to initial operation, please confirm that the brackets have been adjusted so that the shade hangs level and plumb. Upon startup, run the shade all the way down and check for plumb. Observe the shade closely as it rolls up. If the shade begins to telescope, stop immediately and take the appropriate action to ensure the shade tracks properly. To prevent damage to the fabric from telescoping, do not leave the shade unattended during the first few cycles of operation. Failure to follow these instructions may result in damage to the edge of the fabric, which is not covered by the warranty.

Once the roller shade assembly is installed, adjustments can be made to level the shade and center it in the window opening.



Loosen the screw, adjust the shades so that they are centered in the opening, and then tighten the screw to lock the shades into place.

Situations that may cause telescoping:

- The shade is not perfectly level.
- The shade may bump into objects while traveling up or down.
- The HVAC ductwork is blowing on the shade, or air is coming in through a window.
- A foreign object is stuck to the shade fabric (e.g., tape, bugs, dust, etc.).

How to prevent telescoping:

- Use the leveling features built into the shade brackets to ensure the shade is level. If the bracket adjustment is not enough to compensate, use a shim to level the system.
- Ensure that no obstructions exist near the window area that the shade could bump into while traveling (e.g., latches and cranks).
- Direct HVAC airflow away from the shade, and ensure that windows are closed while operating the shade.
- Lower the shade all the way down to the bare tube (the shade will need to be placed into Limit Setup mode to allow the shade to travel below its lower limit). Inspect the front and back of the shade to ensure that no foreign objects are stuck to the shade fabric.

If the shade is still telescoping, it can be re-shimmed by applying a small (1" x 1") piece of tape to the end of the tube that the fabric should move toward. If the fabric is telescoping to the left, place a piece of tape on the right side of the tube. If the fabric is telescoping to the right, place it on the left side. Ensure that the tape is placed on the bare tube for best results. The shade must be rolled all the way down past its lower limit. To do this, place the shade motor into Limit Setup mode.

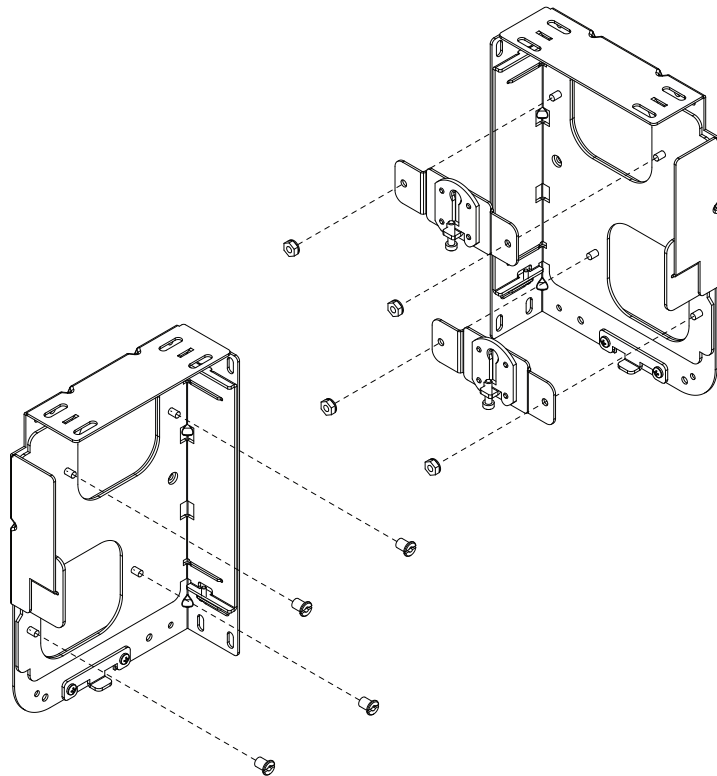
Swap the Idler and Motor Ends

The roller shade assembly can be mounted so that the idler and motor ends are located in the ends of the tube opposite where they were when received from the factory (i.e., the idler end is on the left, and the motor end is on the right). Swapping the idler and motor ends allows the roller shade to roll off of the proper side of the tube. This might be necessary if the control or power wires were run to the wrong side of the window. If this is necessary, the idler mount in the right bracket and motor mount in the left bracket will need to be swapped. The left and right mounting brackets remain on their intended sides.

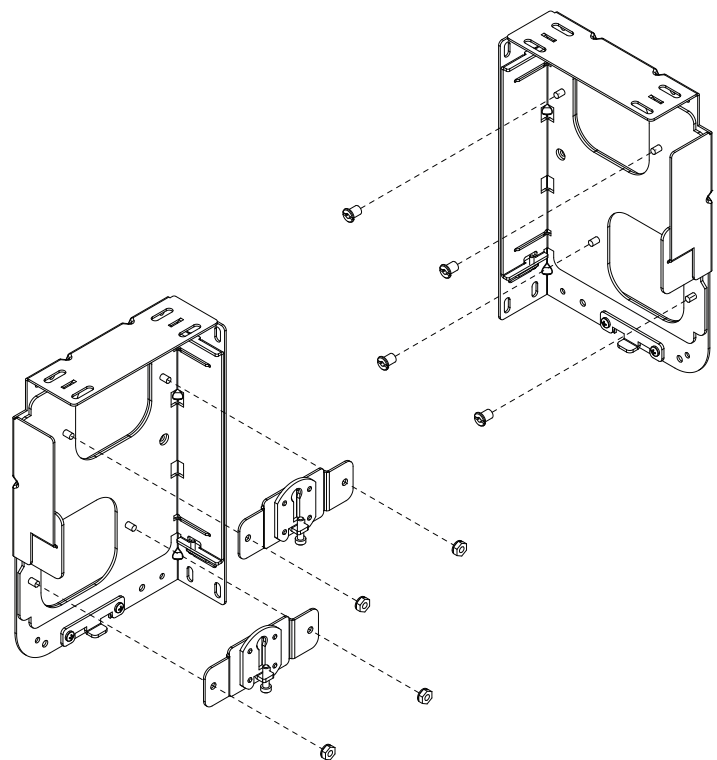
Swap the Bracket Hardware

Swapping the hardware requires a Phillips or flat-blade screwdriver and an 11/32" wrench.

1. Using a Phillips or flat-blade screwdriver, remove the four standoffs from the left-side bracket, and save for reassembly.
2. Using an 11/32" wrench, remove the four nuts that secure the two keyhole assemblies to the right-side bracket, and save for reassembly.



3. Using a Phillips head or flat-blade screwdriver, install the four standoffs on the right-side bracket.
4. Using an 11/32" wrench, install the two keyhole assemblies on the left-side bracket. Ensure that the screw head on the keyhole assembly faces down.



Swap the Roller Shade Idler and Motor

If the idler bracket and motor bracket have been swapped, remove the motor and idler from the tube and reinstall in the opposite ends. This allows the fabric to roll off of the tube in its intended manner.

Swap the idler and motor ends of the roller shade.

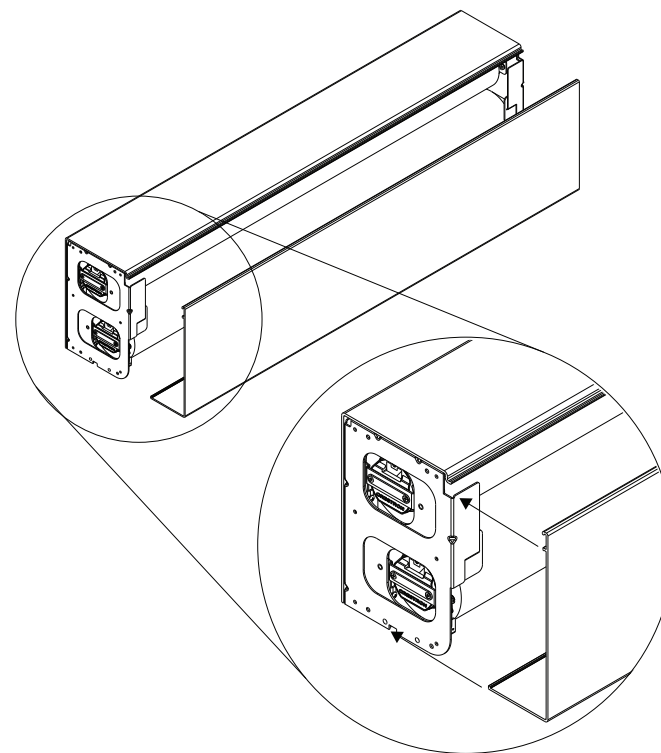
1. Remove the motor by pulling on the motor head.
2. Use the idler removal tool to loosen the idler by rotating the idler counterclockwise. Pull the idler out of the tube.
3. Insert the motor into the tube end opposite from where it was removed.
4. Insert the idler into the tube end opposite from where it was removed.
5. Use the idler removal tool to tighten the idler; rotate the idler clockwise two turns, and then tighten until snug. Pull on the idler to confirm it is properly secured.

Mount the Fascia

Once the assembly is installed and programmed, mount the fascia.

Align the fascia with the mounting brackets, and then press the fascia into place. Assemble the fascia into place by snapping to the tabs on the bracket. Place the top of the fascia on the top of the bracket first, and then press the bottom of the fascia into place on the bottom of the bracket.

To remove the fascia, pull the bottom of the fascia down to clear the bottom tab on the bracket. Then, pull the fascia away from the window and upward to release the top of the fascia.



Wiring

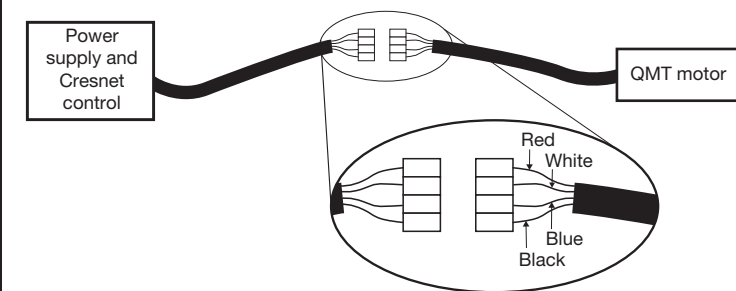
When selecting the Cresnet® communications cable, do not use CRESNET-HP cable with the small connector. When using CRESNET-HP cable, replace the connector on the motor pigtail with the larger connector that is supplied with the shade.

All shades should be home run from the CSA-PWS40 or CSA-PWS-10S-HUB (both sold separately).

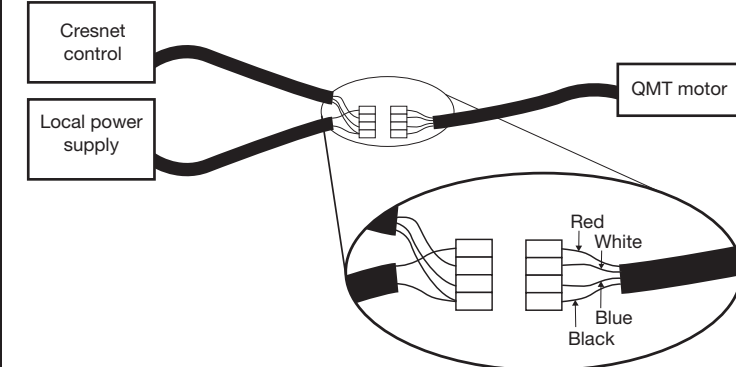
The left and right brackets provide a cutout in the upper corner, which allows wiring to be easily run to the motor.

Refer to the illustration that follows for wiring details.

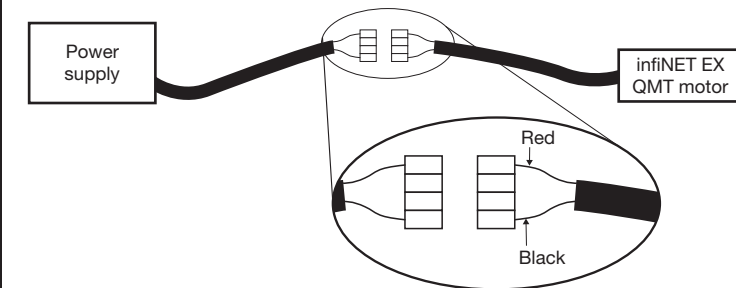
Cresnet QMT® Shade Motor with the Power and Control Coming from the Same Source



Cresnet QMT Shade Motor with the Power and Control Coming from Separate Sources



Wire the infiNET EX® Wireless QMT Shade Motor.



Programming

Before the roller shade can be operated, the device must be programmed and set up. For information on programming and setup of this device, refer to Digital QMT Shade Motor Programming Guide (Doc. 7437) at www.crestron.com/manuals.

As of the date of manufacture, the product has been tested and found to comply with specifications for CE marking.



The product warranty can be found at www.crestron.com/warranty.

The specific patents that cover Crestron products are listed at patents.crestron.com. Certain Crestron products contain open source software. For specific information, please visit www.crestron.com/opensource.

Crestron, the Crestron logo, Cresnet, infiNET EX, and QMT are either trademarks or registered trademarks of Crestron Electronics, Inc. in the United States and/or other countries. Other trademarks, registered trademarks, and trade names may be used in this document to refer to either the entities claiming the marks and names or their products. Crestron disclaims any proprietary

interest in the marks and names of others. Crestron is not responsible for errors in typography or photography.

This document was written by the Technical Publications department at Crestron.

©2017 Crestron Electronics, Inc.

Crestron Electronics, Inc.
15 Volvo Drive Rockleigh, NJ 07647
Tel: 888.CRESTRON
Fax: 201.767.7576
www.crestron.com

Installation Guide - DOC. 7803D
(2044070)
05.17
Specifications subject to
change without notice.