

SAROS PDS8T

Saros® 8" Pendant Subwoofer

- > High-performance suspended subwoofer for open-ceiling applications
- > Weather-resistant for use under eaves and in semi-enclosed spaces
- > 8" polypropylene woofer with rubber surround for deep, full low end
- > Optimized dual front ports for enhanced bass response
- > Phase plug for reduced beaming at higher frequencies
- > Built-in 70/100 Volt transformer
- > 100 Watts program power handling at 8 Ohms
- > 45Hz-125Hz frequency response
- > Rigid glass fiber reinforced ABS construction
- > Magnetically attached steel frameless grille
- > Available in black or white
- > Paintable to blend with surroundings
- > Includes wire rope hanger assembly with Gripple® hardware for quick and easy installation



Saros® speakers by Crestron® deliver professional grade performance and flexible installation in a range of popular sizes for demanding commercial applications. Solid construction, easy installation, and high-end components are hallmarks of the Saros speaker line. Ideal for use in background or foreground music, paging, and sound reinforcement systems, Saros speakers are engineered to achieve smooth, even coverage, high output, and clear, natural sound quality.

The Saros PDS8T model is an 8 inch pendant subwoofer designed to provide extended low-frequency response for music and sound reinforcement applications. Power handling is 100 Watts (program) at 8 Ohms, with a tailored frequency response of 45 Hz to 125 Hz (± 3 dB) and a usable range down to 35 Hz. A built-in transformer allows for use with 70 and 100 Volt distributed speaker systems.

Its built-in low-pass filter allows the Saros PDS8T to sound great alongside Saros 4, 6, and 8 inch full-range speakers without requiring a separate crossover. Optimum performance and sound quality is achieved using a bi-amplified sound system such as the [Sonnex® Multiroom Audio System](#)^[1], which can be configured to employ a dedicated subwoofer amplifier channel with active 2-way crossover.

The Saros PDS8T is designed to be suspended from a ceiling truss in an open-ceiling environment. Its clean, contoured enclosure achieves an attractive appearance in restaurants and night clubs, retail spaces, houses of worship, convention facilities, universities, and office buildings.

Weatherized construction allows for use in outdoor entertainment venues, patios, and swimming pools. To facilitate installation, a 10 ft (3 m) length of wire rope with attached snap hook is supplied. Securing the wire rope to the truss and adjusting it to the desired length is accomplished quickly and easily using the provided Gripple® self-locking wire rope grip.

To achieve its sleek, sculpted appearance, the Saros PDS8T employs a durable ABS plastic housing and “zero-bezel” frameless grille. Composed of steel, the grille is held in place by powerful magnets, eliminating any visible screws or other hardware. A safety tether is included to prevent the grille from ever presenting a falling hazard. Setting the 70/100V transformer tap is performed via a screwdriver-adjustable control located on the speaker baffle behind the grille.

Wiring connections are provided on the top of the speaker adjacent to the suspension rigging point. Connecting the wiring is facilitated using a detachable screw terminal block with provisions for easy parallel wiring in a multi-speaker application. A weather boot is included to protect the wiring connections from moisture.

The PDS8T is topped off with a top cover, which conceals the wiring connections and suspension hardware for a very clean, contoured appearance. Saros PDS8T speakers are available in white or black, and can be painted to blend with the surrounding architecture. They are priced and sold individually.

SAROS PDS8T Saros® 8" Pendant Subwoofer

SPECIFICATIONS

Features & Performance

Woofer: 8 inch (203 mm) polypropylene w/rubber surround, steel basket, & phase plug

Impedance: 8 Ohms nominal with transformer set to "8Ω"

Transformer Taps: 60W or 120W at 70V;
120W at 100V

Low-Pass Filter: 125 Hz, 2nd order

Frequency Response: 45 Hz to 125 Hz (±3 dB)

Frequency Range: 35 Hz to 125 Hz (-10 dB)

Power Handling: 100 Watts program (8 Ohms)

Sensitivity: 90 dB @ 1W/1m

Connections

Input: (1) 4-pin 5 mm detachable terminal block with screw-down flanges and weather boot;

Speaker input with parallel pass-thru;

Maximum Wire Size: 12 AWG

Controls

Transformer Tap: (1) Recessed screwdriver-adjustable rotary switch on baffle; Used to select 70/100V tap or 8 Ohms (bypass)

Environmental

Temperature: -2° to 120° F (-19° to 49° C)

Humidity: 5% to 95% RH (non-condensing)

Construction

Enclosure: Glass fiber reinforced ABS plastic, UL® 94V-0 flame rated, textured finish, paintable, removable top cover

Baffle: Glass fiber reinforced ABS plastic, UL 94V-0 flame rated

Grille: Steel with textured finish, paintable, magnetically-held "zero-bezel" frameless, safety tether

Mounting: Single rigging point beneath top cover for suspension; Gripple® 10 ft (3 m) wire rope (aka, aircraft cable) hanger with attached snap hook and self-locking wire rope grip included

Dimensions

Height: 10.58 in (269 mm)

Width: 12.57 in (320 mm) diameter

Weight

13.1 lb (6.0 kg)

MODELS & ACCESSORIES

Available Models

SAROS PDS8T-B-T-EACH: Saros® 8" Pendant Subwoofer, Black Textured, Single

SAROS PDS8T-W-T-EACH: Saros® 8" Pendant Subwoofer, White Textured, Single

Notes:

Crestron warrants to the original end purchaser that this Crestron Speaker Product, when purchased directly from Crestron or an authorized Crestron Dealer, will be free from defects in material and workmanship for the life of the product except for speaker grills and outdoor rated speakers, which are warranted for five (5) years. Crestron will at its option and expense either repair the defect or replace the Speaker Product with a new or remanufactured Product or a reasonable equivalent. In cases where a new model is substituted, a modification to the mounting surface may be required. If mounting surface modification is required, Crestron assumes no responsibility or liability for such modifications.

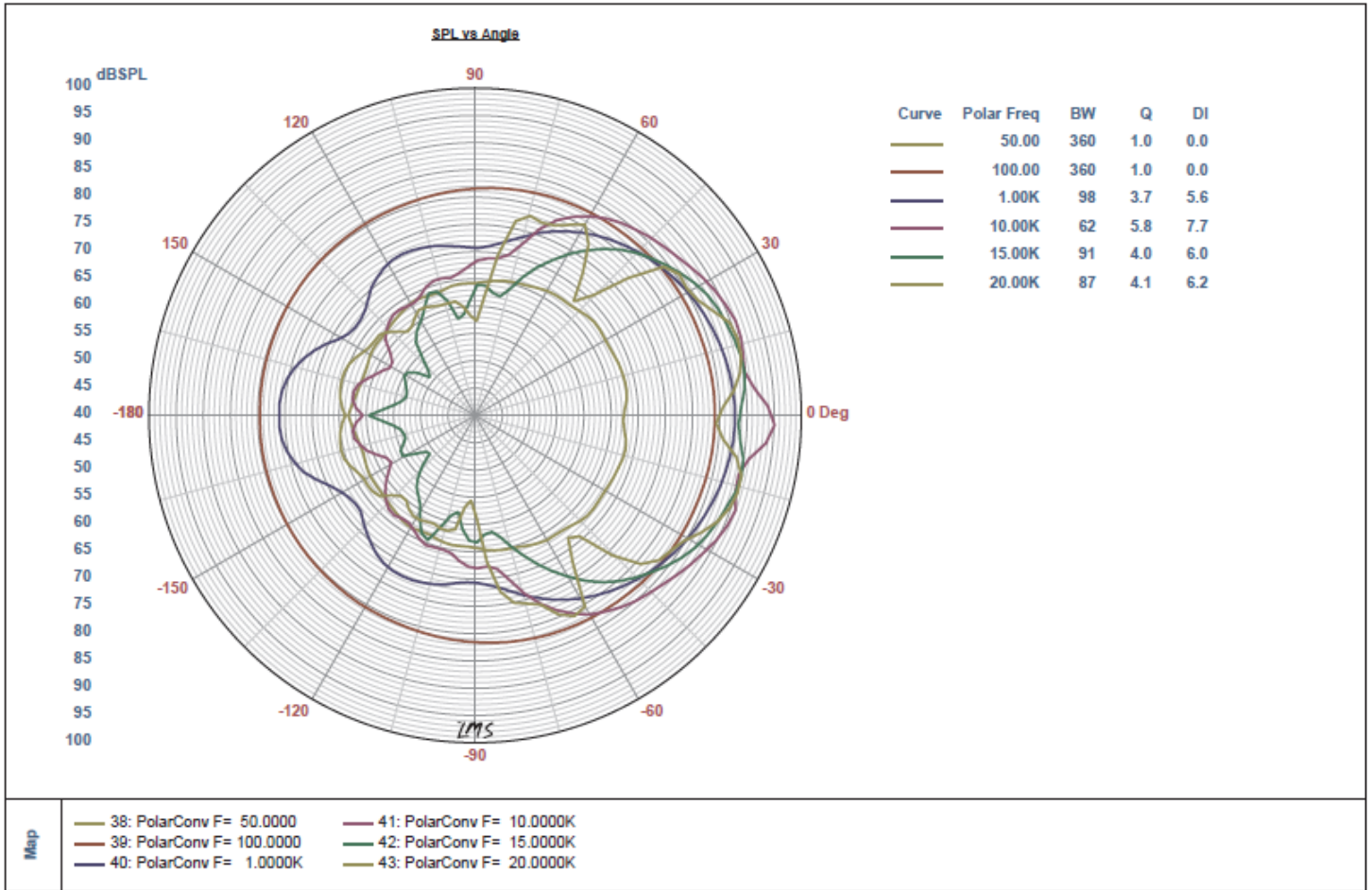
This product may be purchased from an authorized Crestron dealer. To find a dealer, please contact the Crestron sales representative for your area. A list of sales representatives is available online at www.crestron.com/salesreps or by calling 800-237-2041.

The specific patents that cover Crestron products are listed online at: patents.crestron.com.

Certain Crestron products contain open source software. For specific information, please visit www.crestron.com/opensource.

Crestron, the Crestron logo, Saros, and Sonnex are either trademarks or registered trademarks of Crestron Electronics, Inc. in the United States and/or other countries. Gripple is either a trademark or registered trademark of Gripple Limited in the United States and/or other countries. UL is either a trademark or registered trademark of UL LLC in the United States and/or other countries. Other trademarks, registered trademarks, and trade names may be used in this document to refer to either the entities claiming the marks and names or their products. Crestron disclaims any proprietary interest in the marks and names of others. Crestron is not responsible for errors in typography or photography. Specifications are subject to change without notice.
©2016 Crestron Electronics, Inc.

SAROS PDS8T Saros® 8" Pendant Subwoofer



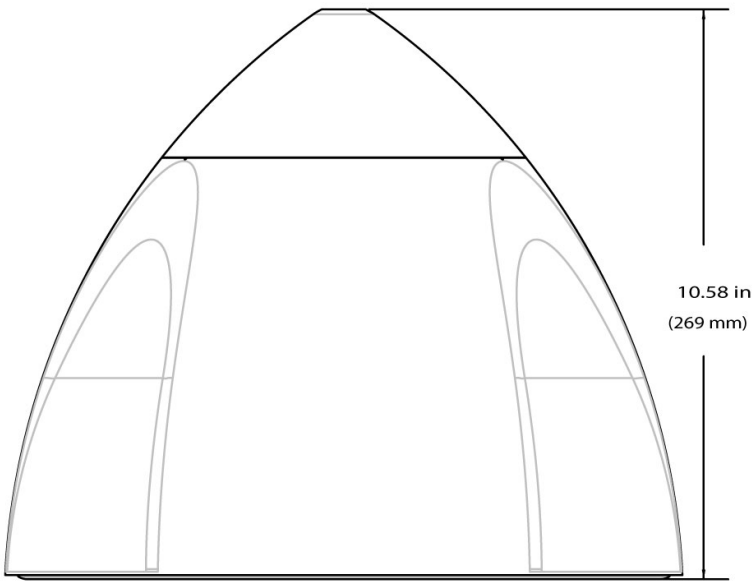
SAROS PDS8T Saros® 8" Pendant Subwoofer



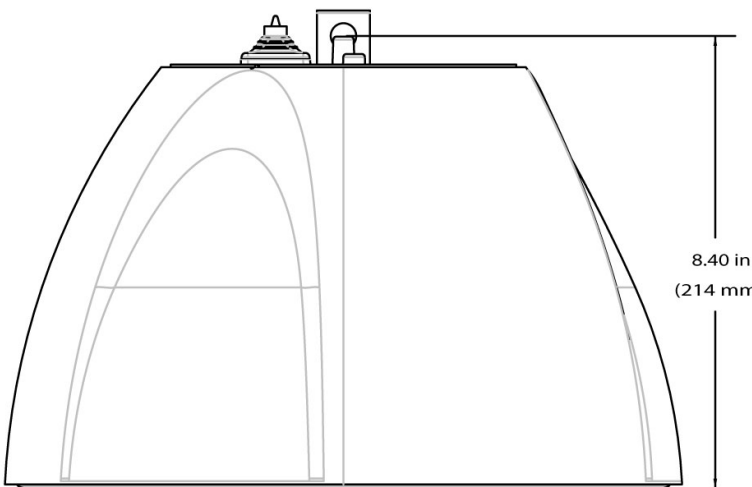
SAROS PDS8T-W-T (White)



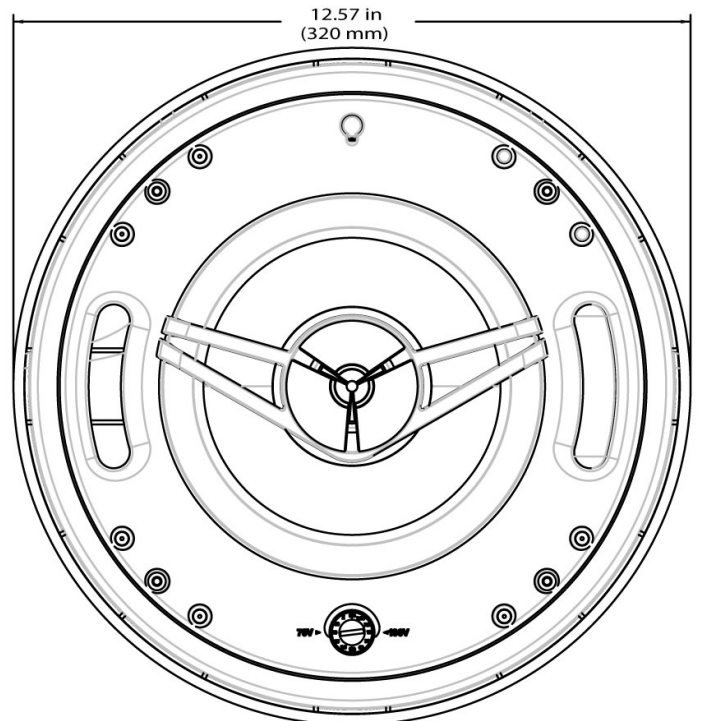
SAROS PDS8T-B-T (Black)



10.58 in
(269 mm)



8.40 in
(214 mm)



12.57 in
(320 mm)