



MP-WP-2XLRO-1G and
MP-WP-2RCAO-1G

Media Presentation Wall Plate - XLR or RCA,
Black, 1-Gang

Product Manual

Crestron Electronics, Inc.

The original language version of this document is U.S. English.
All other languages are a translation of the original document.

Regulatory Model: M202217001

Crestron product development software is licensed to Crestron dealers and Crestron Service Providers (CSPs) under a limited nonexclusive, nontransferable Software Development Tools License Agreement. Crestron product operating system software is licensed to Crestron dealers, CSPs, and end-users under a separate End-User License Agreement. Both of these Agreements can be found on the Crestron website at www.crestron.com/legal/software_license_agreement.

The product warranty can be found at www.crestron.com/warranty.

The specific patents that cover Crestron products are listed online at www.crestron.com/legal/patents.

Certain Crestron products contain open source software. For specific information, please visit www.crestron.com/opensource.

Crestron and the Crestron logo are either trademarks or registered trademarks of Crestron Electronics, Inc. in the United States and/or other countries. Other trademarks, registered trademarks, and trade names may be used in this document to refer to either the entities claiming the marks and names or their products. Crestron disclaims any proprietary interest in the marks and names of others. Crestron is not responsible for errors in typography or photography.

©2023 Crestron Electronics, Inc.

Contents

Overview	5
MP-WP-2XLRO-1G Features	5
MP-WP-2RCAO-1G Features	5
Specifications	6
MP-WP-2XLRO-1G Specifications	7
Product Specifications	7
Dimension Drawings	8
MP-WP-2RCAO-1G Specifications	9
Product Specifications	9
Dimension Drawings	10
Installation	11
In the Box	11
Mounting	11
Mounting into a 1-Gang Electrical Box	12
Mounting onto a Rack Rail	13
Mounting to a Flat Surface	14
Connect the Device	15
Resources	17
Crestron Support and Training	17
Programmer and Developer Resources	17
Product Certificates	17

Overview

The [MP-WP-2XLRO-1G](#) and [MP-WP-2RCAO-1G](#) Media Presentation Wall Plates complete the total Crestron package, ensuring end-to-end Crestron quality for every installation. A range of wall plates is offered to support all types of analog and digital video, audio, and control signals.

MP-WP-2XLRO-1G Features

The MP-WP-2XLRO-1G provides a single-gang wall mount for (2) XLR outputs. The rear of the wall plate features a six-pin line-level audio input for two sources.

Key features include:

- 2 XLR line-level output connectors
- 2 line-level audio inputs
- Single-gang U.S. wall box installation
- Mountable on rack rail or flat surface
- Faceplate included

MP-WP-2RCAO-1G Features

The MP-WP-2RCAO-1G provides a single-gang wall mount for (2) RCA connections. The rear of the wall plate features a six-pin line-level audio connection for two inputs or outputs.

Key features include:

- 2 RCA connectors
- 2 line-level audio connections
- Single-gang U.S. wall box installation
- Mountable on rack rail or flat surface
- Faceplate included

Specifications

This section provides the following information:

- [MP-WP-2XLRO-1G Specifications](#)
- [MP-WP-2RCAO-1G Specifications](#)

MP-WP-2XLRO-1G Specifications

Product specifications for the MP-WP-2XLRO-1G are provided below.

Product Specifications

Connectors

XLR 1-2 (OUTPUT)	(2) Balanced XLR output ports
INPUT 1-2	(1) 6-pin 3.5 mm detachable terminal block; Balanced line-level audio input; Pins 1-3: Input 1, Pins 4-6: Input 2

Environmental

Temperature	32° to 111° F (0° to 40° C)
Humidity	10% to 95% RH (noncondensing)

Enclosure

Mounting	Mountable on the following: 1-gang U.S. electrical box or plaster ring (not included), 3.5 in. (26 mm) electrical box depth recommended; Rack rail; Flat surface with included mounting bracket
Faceplate	Requires FP-G1 decorative faceplate (sold separately)

Dimensions

Height	4.12 in. (105 mm)
Width	1.72 in. (44 mm)
Depth	1.85 in. (47 mm)

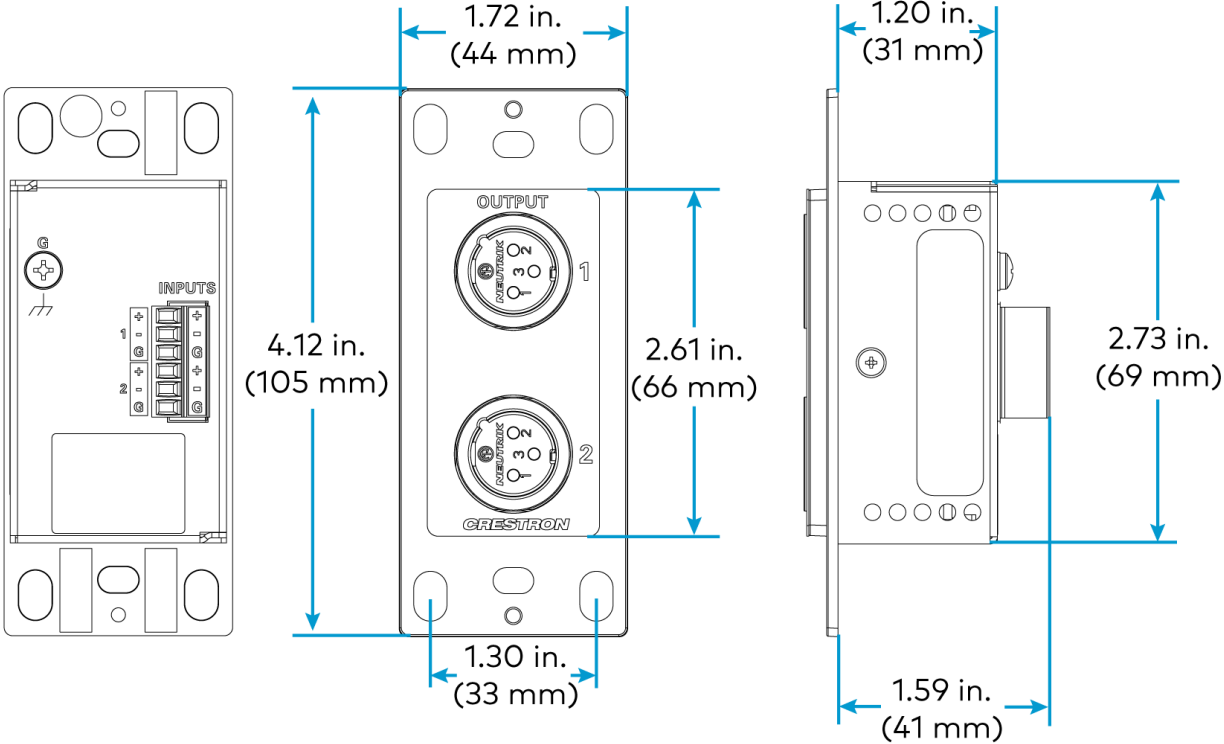
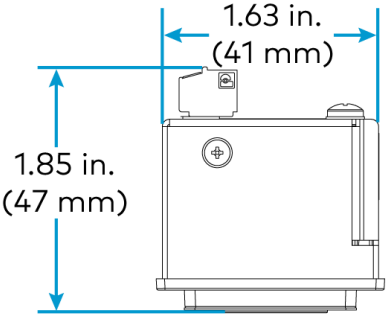
Weight

0.17 lb (80 g)

Compliance

Regulatory Model: M202217001
IC, FCC Part 15 Class B digital device

Dimension Drawings



MP-WP-2RCAO-1G Specifications

Product specifications for the MP-WP-2RCAO-1G are provided below.

Product Specifications

Connectors

RCA 1-2	(2) Unbalanced RCA pass-through ports
Rear 1-2	(1) 6-pin 3.5 mm detachable terminal block; Balanced line-level audio connector; Pins 1-3: Connection 1, Pins 4-6: Connection 2

Environmental

Temperature	32° to 111° F (0° to 40° C)
Humidity	10% to 95% RH (noncondensing)

Enclosure

Mounting	Mountable on the following: 1-gang U.S. electrical box or plaster ring (not included), 3.5 in. (26 mm) electrical box depth recommended; Rack rail; Flat surface with included mounting bracket
Faceplate	Requires FP-G1 decorative faceplate (sold separately)

Dimensions

Height	4.12 in. (105 mm)
Width	1.72 in. (44 mm)
Depth	1.66 in. (42 mm)

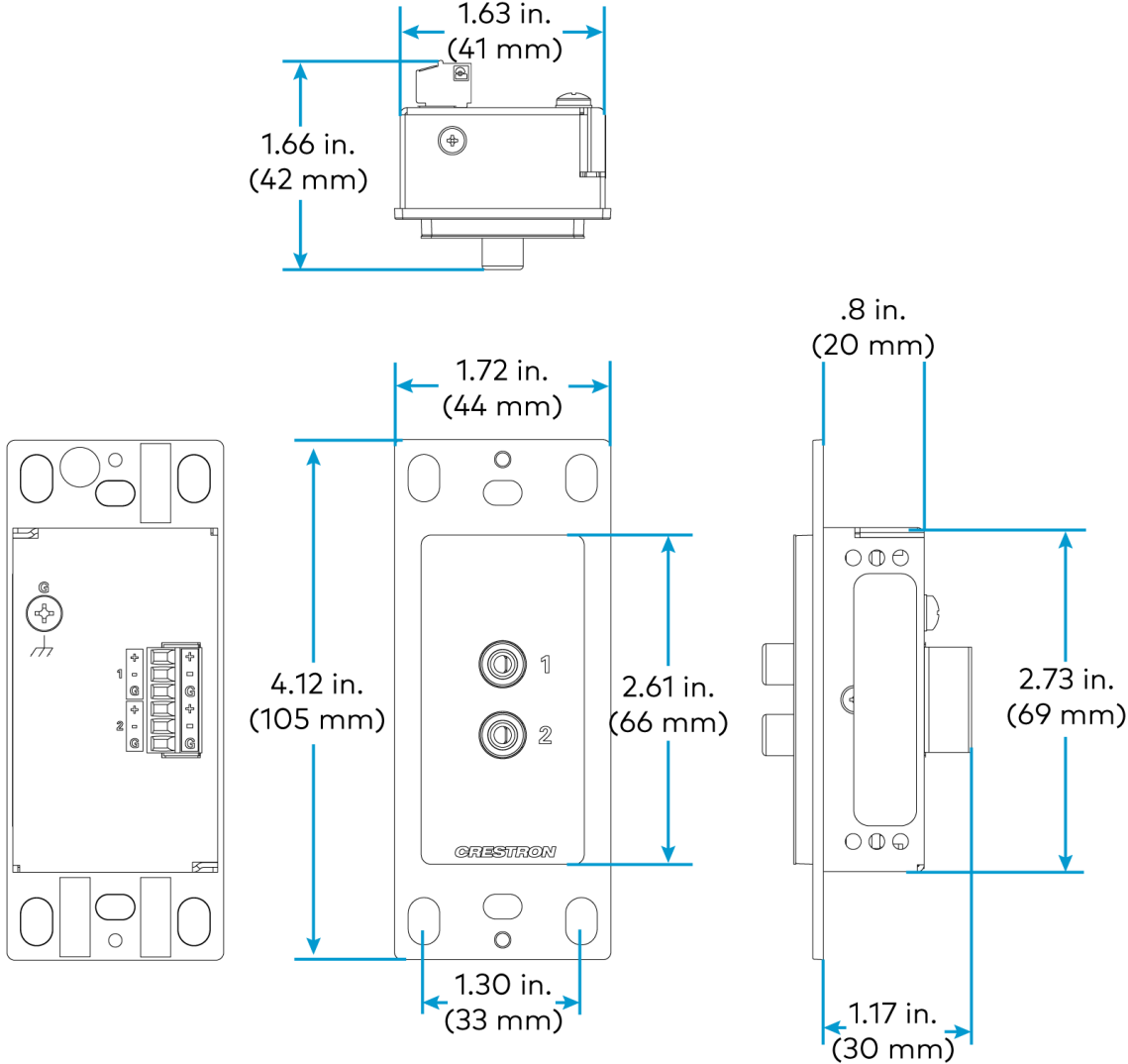
Weight

0.15 lb (72 g)

Compliance

Regulatory Model: M202217001
IC, FCC Part 15 Class B digital device

Dimension Drawings



Installation

Refer to the sections below to install the Media Presentation Wall Plates.

In the Box

Qty.	Description
1	MP-WP-2RCAO-1G, Media Presentation Wall Plate - RCA, Black, 1-Gang or MP-WP-2XLRO-1G, Media Presentation Wall Plate - XLR, Black, 1-Gang
Additional Items	
2	Screws, 6-32 x 3/4 in., Truss Head, Combo (2009211)

Mounting

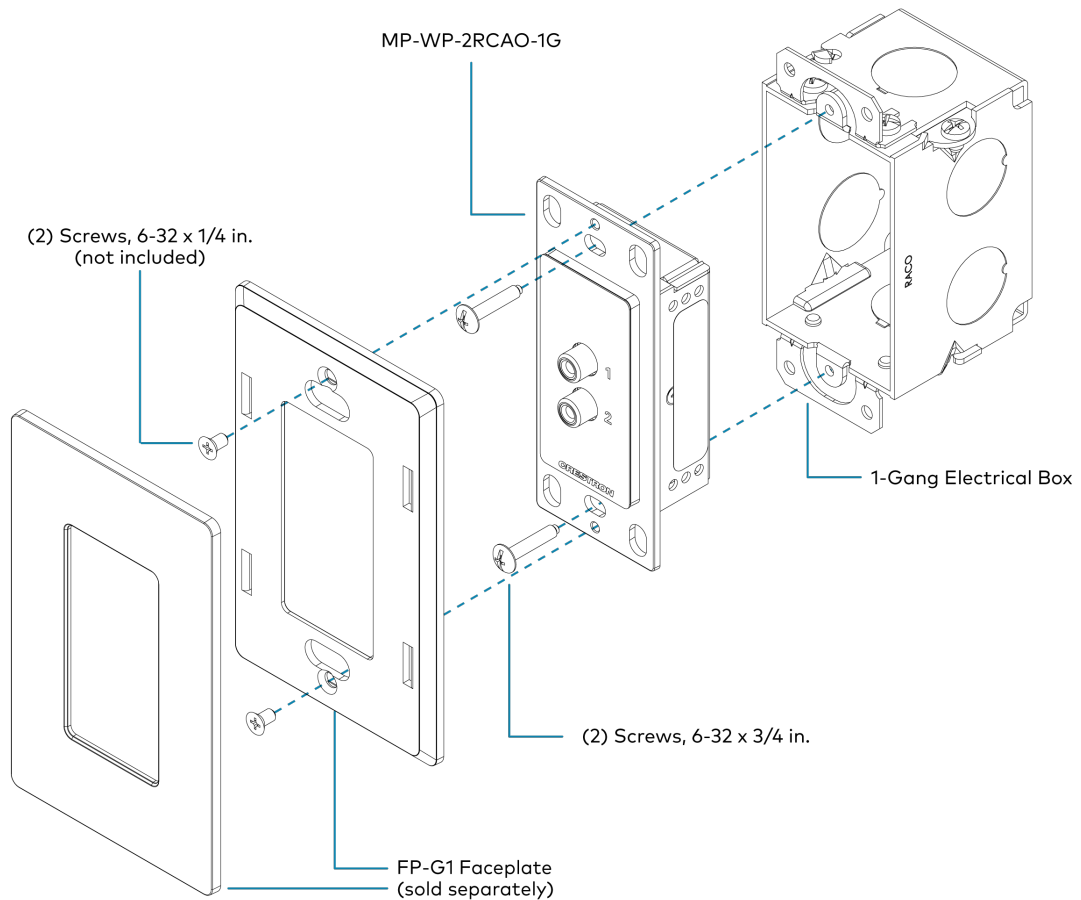
The Media Presentation Wall Plate can be mounted into a 1-gang electrical box, or onto a flat surface or rack rail.

NOTE: The installation process for the MP-WP-2RCAO-1G and MP-WP-2XLRO-1G is identical. Only the MP-WP-2RCAO-1G is shown in the mounting illustrations.

Mounting into a 1-Gang Electrical Box

To mount the wall plate into a 1-gang electrical box, follow the instructions below.

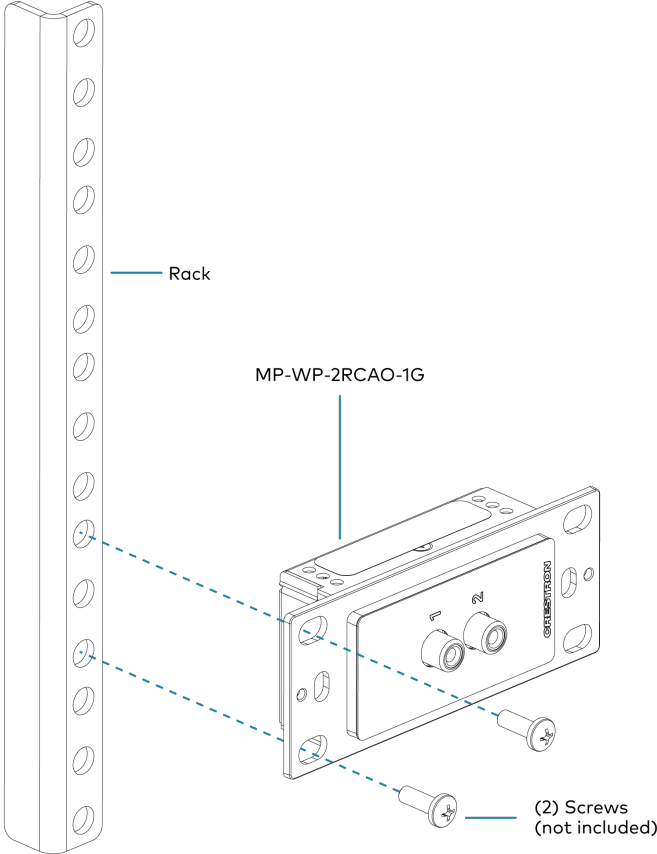
1. Make connections to the rear of the device. For details, refer to [Rear Connections on page 15](#).
2. Using a Phillips screwdriver and two 6-32 x 3/4 in. truss head screws, attach the wall plate to the electrical box.
3. Using a Phillips screwdriver and two 6-32 x 1/4 in. flat head screws (not included), attach a [FP-G1](#) decorator style faceplate (sold separately) to the wall plate.



Mounting onto a Rack Rail

To mount the wall plate onto a rack rail, follow the instructions below.

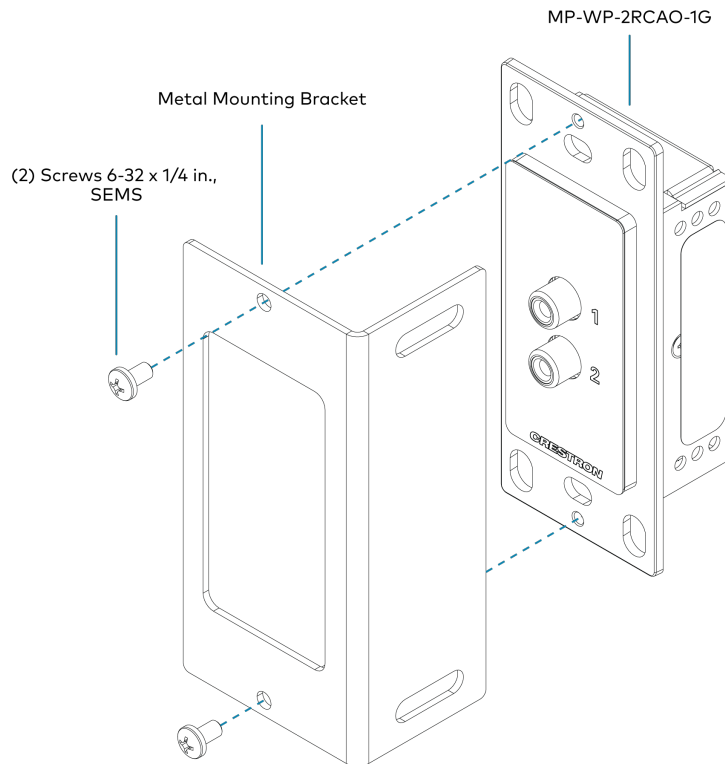
- 1. Position the wall plate horizontally so that the holes in the left or right mounting flange align with the holes in the rack rail.
- 2. Secure the wall plate to the rack rail using two mounting screws (not included).



Mounting to a Flat Surface

To mount the wall plate to a flat surface, follow the instructions below.

1. Position the wall plate so that the holes in the mounting flange align with the mounting bracket.
2. Connect the wall plate to the mounting bracket using a Phillips screwdriver and two SEMS screws 6-32 x 1/4 in. (not included).



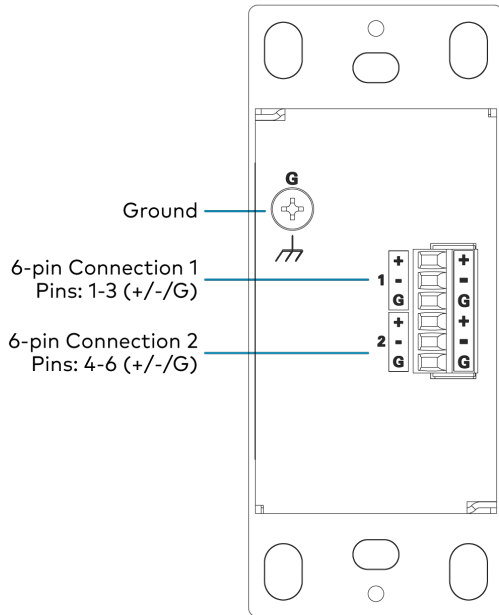
3. Secure the mounting bracket to the flat surface using mounting screws (not included).

Connect the Device

Make connections to the front and rear of the Media Presentation Wall Plate as described below.

NOTE: These Media Presentation Wall Plates are pass-through devices. Signal can flow in either direction.

Rear Connections



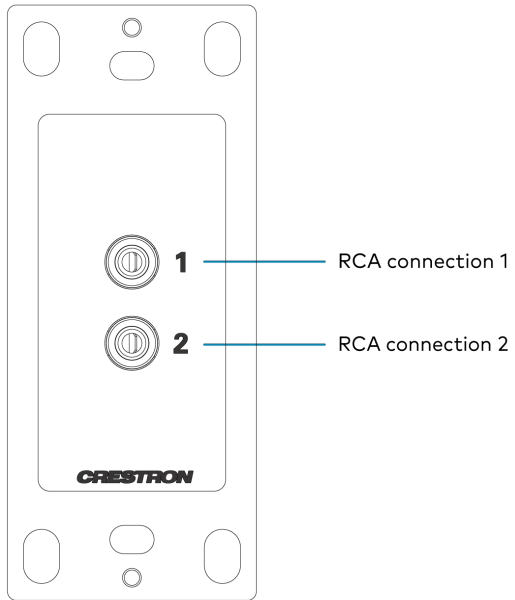
MP-WP-2RCAO-1G: The rear connections correspond to the front RCA connections as follows:

Rear Panel	Front Panel
+	RCA center pin
-/G	RCA shield

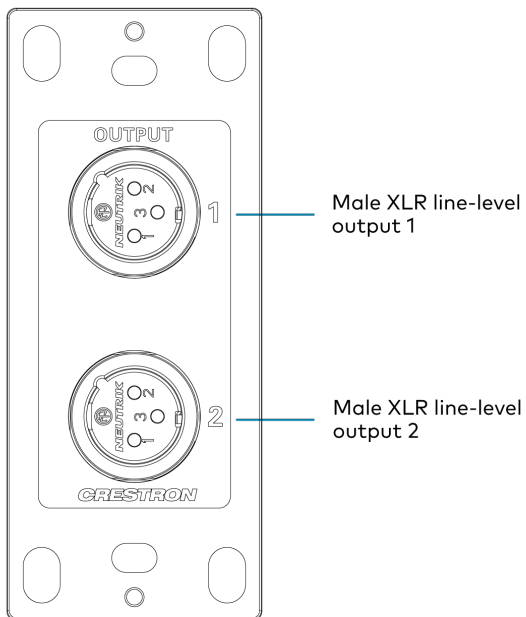
MP-WP-2XLRO-1G: The rear connections correspond to the front XLR connections as follows:

Rear Panel	Front Panel
+	XLR pin 2
-	XLR pin 3
G	XLR pin

MP-WP-2RCAO-1G Front Connections



MP-WP-2XLRO-1G Front Connections



Resources

The following resources are provided for the MP-WP-2XLRO-1G and MP-WP-2RCAO-1G.

NOTE: You may need to provide your Crestron.com web account credentials when prompted to access some of the following resources.

Crestron Support and Training

- [Crestron True Blue Support](#)
- [Crestron Resource Library](#)
- [Crestron Online Help \(OLH\)](#)
- [Crestron Training Institute \(CTI\) Portal](#)

Programmer and Developer Resources

- help.crestron.com: Provides help files for Crestron programming tools such as SIMPL, SIMPL#, and Crestron Toolbox™ software
- developer.crestron.com: Provides developer documentation for Crestron APIs, SDKs, and other development tools

Product Certificates

To search for product certificates, refer to support.crestron.com/app/certificates.

This page is intentionally left blank.

