

TS-7/10-MUMK

Mullion Mount Kit for TSS-7, TSS-10, TSW-760, and TSW-1060 Series

The Crestron® TS-7/10-MUMK allows a TSS-7, TSS-10, TSW-760, TSW-760-NC, TSW-1060, or TSW-1060-NC touch screen to be attached to the mullion of an interior glass wall, window, or partition. The MUMK mounts a compatible touch screen to the left or right of any hollow, metallic vertical mullion. Two mounting brackets are provided that allow the MUMK to be installed in one of two configurations (side mount or front mount). Wiring is run to the touch screen from inside the mullion to create a clean, finished appearance.

Check the Box

Item	Qty
TS-7/10-MUMK-B or TS-7/10-MUMK-W	
Bracket, Mullion, Front Mount (P/N 2053274)	1
Bracket, Mullion, Side Mount (P/N 2053273)	1
Jacknut, 6-32 (P/N 2053371)	2
Screw, 4-40 x 1/4 in., Undercut Head, Phillips, Black (P/N 2007152)	2
Screw, 4-40 x 1/2 in., Undercut Head, Phillips (P/N 2007174)	4
Screw, 6-32 x 3/8 in., Socket Head (P/N 2007230)	2
Screw, 6-32 x 7/16 in., Pan Head, Phillips (P/N 2007236)	2
Screw, 6-32 x 1/2 in., Flat Head, Phillips (P/N 2007241)	2
Screw, 6-32 x 1/2 in., Pan Head, Phillips (P/N 2007240)	2
Screw, 6-32 x 3/4 in., Truss Head, Combo (P/N 2009211)	1
Spacer, O6, 3/16 in. L, Round, 0.25 in. OD (P/N 2007095)	2
Template, Overlay, Mullion Cutout (P/N 4529900)	1
Tool, 7/64 in. Allen Wrench (P/N 2021068)	1
Tool, 4 in. Jacknut Wrench (P/N 2053373)	1
TS-7/10-MUMK-B Only	
Corner Cap, Mullion, Front Mount, Black (P/N 4530126)	1
Mount, Mullion, with Magnets, Black (4529894)	1
Panel Cover, Mullion Mount, Black (P/N 4529855)	1
TS-7/10-MUMK-W Only	
Corner Cap, Mullion, Front Mount, White (P/N 4530125)	1
Mount, Mullion, with Magnets, White (P/N 4529941)	1
Panel Cover, Mullion Mount, White (P/N 4529854)	1

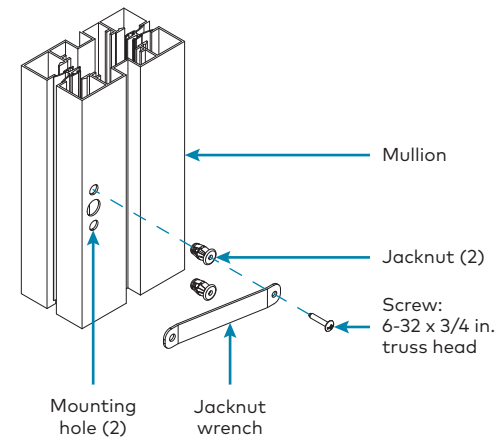
Install the TS-7/10-MUMK

The TS-7/10-MUMK can be installed in one of two configurations—side mount or front mount—using the appropriate mounting bracket. The installation procedures for both configurations are described in the sections that follow.

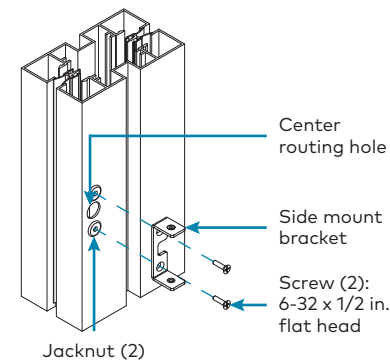
Side Mount Configuration

To install the TS-7/10-MUMK in a side mount configuration:

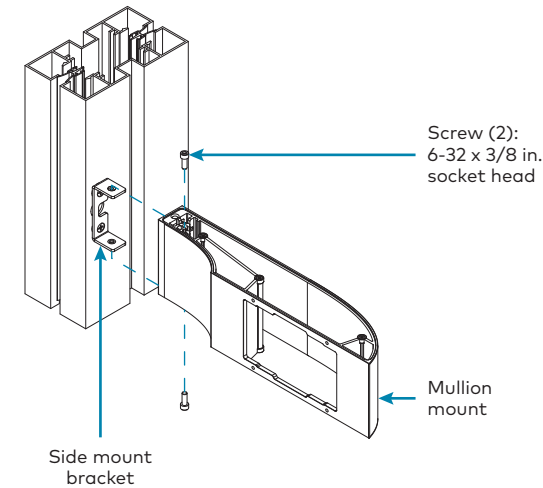
- Use the cutout template to drill two 1/3 in. (8.4 mm) holes and one 1/2 in. (13 mm) center hole in the desired location on the mullion.
- NOTES:**
- For a completely flush installation, align the front edge of the mullion mount with the front of the mullion as a reference.
 - The mullion must have a minimum mounting depth of 3/4 in. (19 mm) to install the mullion mount. If the mullion has a shallower depth, contact Crestron for custom installation instructions.
 - Ensure that the chosen mounting location allows for sufficient length to run the cables from their sources through the mullion and up to the touch screen.
- Thread the 6-32 x 3/4 in. truss head screw through the opening in the included jacknut wrench and into one of the jacknuts, and then align the jacknut with one of the 1/3 in. (8.4 mm) holes drilled into the mullion.
 - Rotate the jacknut wrench clockwise until the jacknut is secured to the mullion.
 - Remove the screw and wrench from the installed jacknut and repeat steps 2 and 3 for the other jacknut.



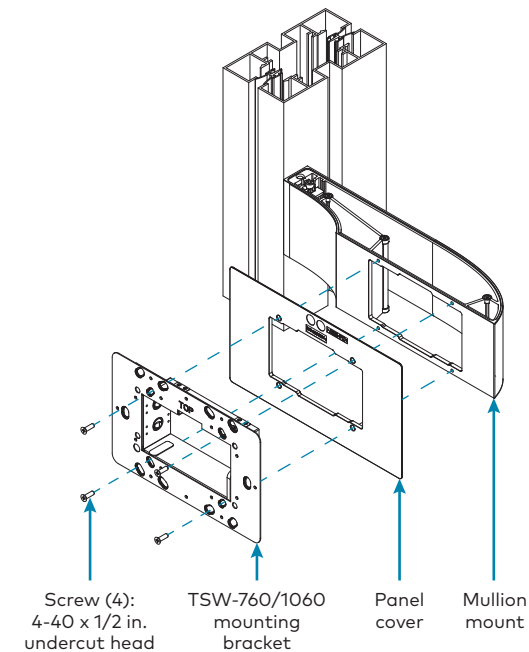
- Run the Ethernet cable and USB cable (if used) up through the mullion and out of the center routing hole.
- Use the two 6-32 x 1/2 in. flat head screws to attach the side mount bracket to the jacknuts.



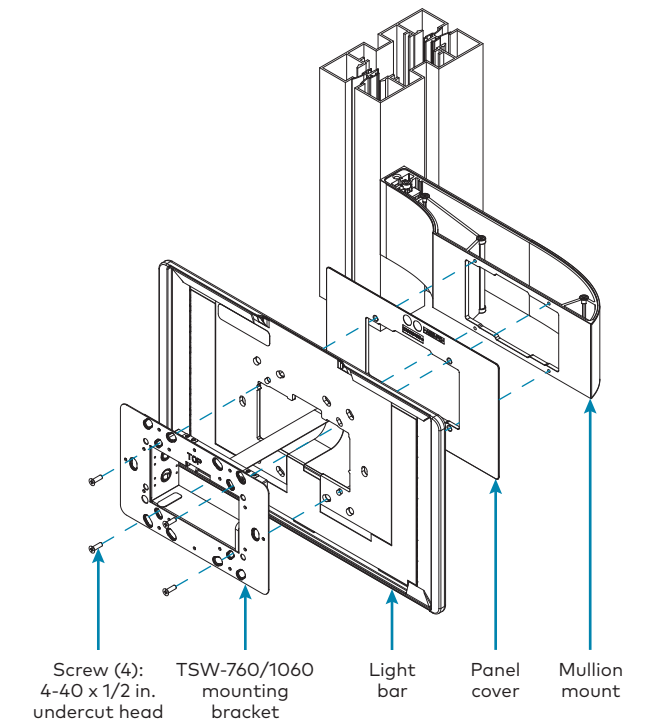
- Install the mullion mount:
 - Gently pull the two cover plates off of the top and bottom of the mullion mount to break the magnetic hold. Refer to the illustration below step 9 for cover plate locations.
 - Slide the mullion mount over the side mount bracket and route any cables out of the center hole in the mount.
 - Use the included allen wrench and the two 6-32 x 3/8 in. socket head screws to secure the mullion mount to the bracket.



- Align the TSW-760/TSW-1060 mounting bracket (included with touch screen) with the panel cover as shown in the illustration below, and then secure both to the mullion mount with the four 4-40 x 1/2 in. undercut head screws.

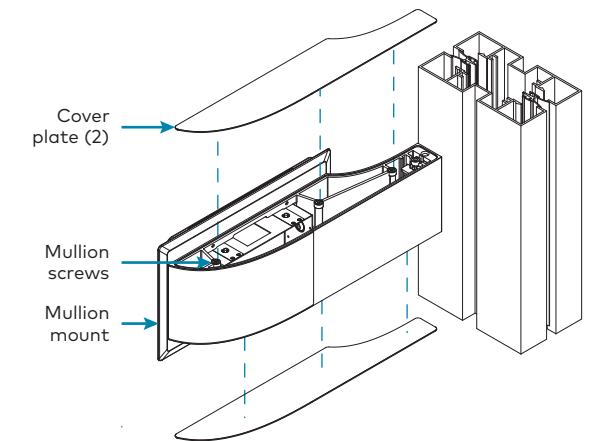


If the TSW-760-LB or TSW-1060-LB light bar will be used in this installation, the light bar should be placed in between the TSW-760/1060 mounting bracket and the panel cover as shown in the illustration below.



- Reattach the two fitted cover plates on the top and bottom of the mullion mount so that the cover plates magnetically snap into place against the exposed screws.

NOTE: Ensure the cover plates are seated flush once installed in the mullion mount.



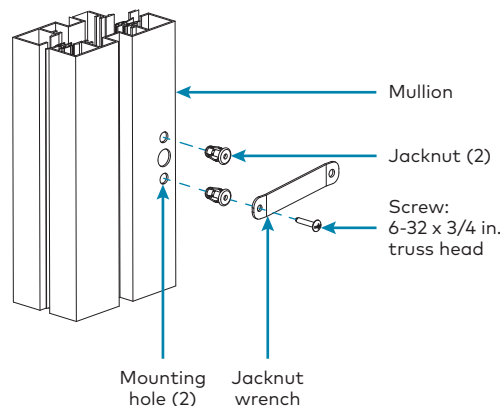
Front Mount Configuration

To install the TS-7/10-MUMK in a front mount configuration:

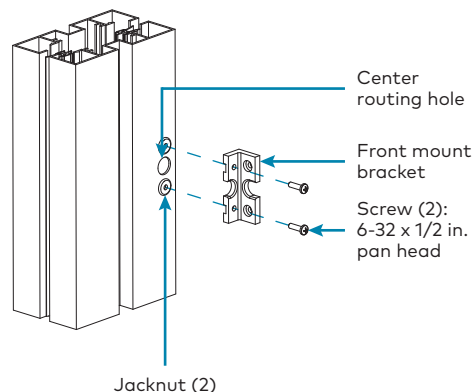
1. Use the cutout template to drill two 1/3 in. (8.4 mm) holes and one 1/2 in. (13 mm) center hole in the desired location on the mullion.

NOTES:

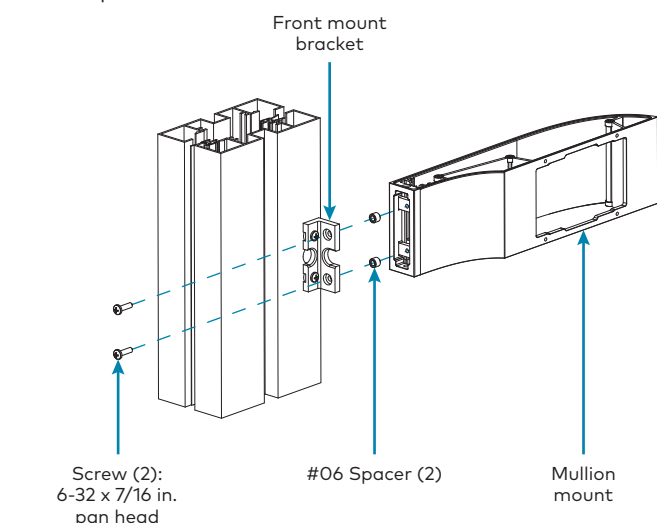
- Ensure that the chosen mounting location allows for sufficient length to run the cables from their sources through the mullion and up to the touch screen.
 - The mullion must have a minimum mounting depth of 3/4 in. (19 mm) to install the mullion mount. If the mullion has a shallower depth, contact Crestron for custom installation instructions.
2. Thread the 6-32 x 3/4 in. truss head screw through the opening in the included jacknut wrench and into one of the jacknuts, and then align the jacknut with one of the 1/3 in. (8.4 mm) holes drilled into the mullion.
 3. Rotate the jacknut wrench clockwise until the jacknut is secured to the mullion.
 4. Remove the screw and wrench from the installed jacknut and repeat steps 2 and 3 for the other jacknut.



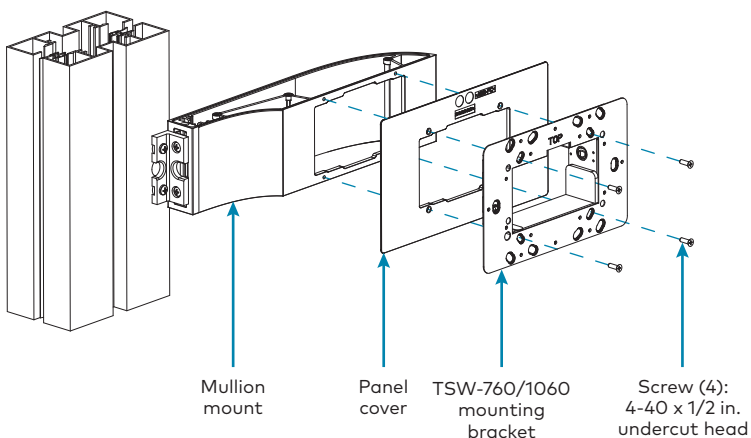
5. Run the Ethernet cable and USB cable (if used) up through the mullion and out of the center routing hole.
6. Use the two 6-32 x 1/2 in. pan head screws to attach the front mount bracket to the jacknuts.



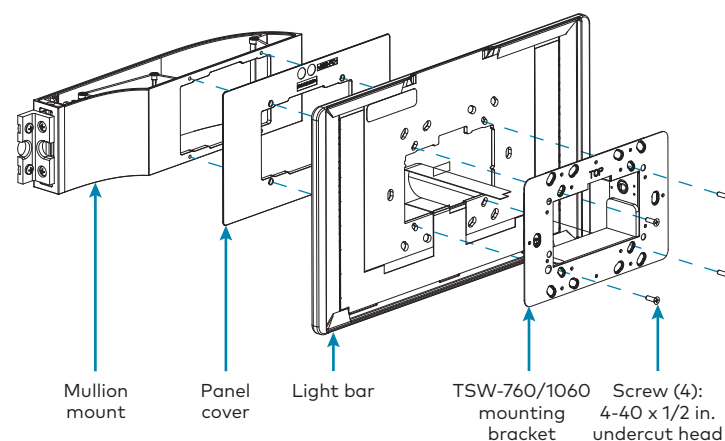
7. Install the mullion mount:
 - a. Gently pull the two cover plates off of the top and bottom of the mullion mount to break the magnetic hold. Refer to the illustration below step 10 for cover plate locations.
 - b. Route any cables out of the center hole in the mullion mount.
 - c. Use the two 6-32 x 7/16 in. pan head screws with the two #06 spacers to secure the mullion mount to the bracket.



8. Align the TSW-760/TSW-1060 mounting bracket (included with touch screen) with the panel cover as shown in the illustration below, and then secure both to the mullion mount with the four 4-40 x 1/2 in. undercut head screws.

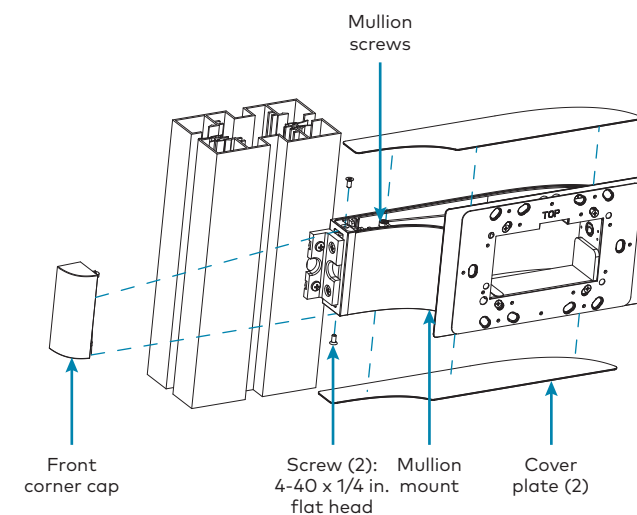


If the TSW-760-LB or TSW-1060-LB light bar will be used in this installation, the light bar should be placed in between the TSW-760/1060 mounting bracket and the panel cover as shown in the illustration below.



9. Slide the front corner cap over the exposed edges of the front mount bracket as shown in the illustration below, and secure it to the mullion using the two 4-40 x 1/4 in. flat head screws.
10. Reattach the two fitted cover plates on the top and bottom of the mullion mount so that the cover plates magnetically snap into place against the exposed screws.

NOTE: Ensure the cover plates are seated flush once installed in the mullion mount.



Attach the Touch Screen to the MUMK

1. Connect all cables to the rear of the touch screen.
2. Push the touch screen gently into the mounting bracket until the rear of the touch screen snaps into place inside the mounting bracket.
3. If a TSW-760-LB or TSW-1060-LB light bar was installed with the MUMK, ensure that the light bar flex circuit did not pop one of the cover plates off of the mullion mount. If this has occurred, tuck the flex circuit back into the mullion mount and then reinstall the cover plate.

Additional Information

Scan or click the QR code for detailed product information.



TS-7/10-MUMK-B

Compliance and Legal

Original Instructions: The U.S. English version of this document is the original instructions. All other languages are a translation of the original instructions.

The product warranty can be found at www.crestron.com/warranty.

The specific patents that cover Crestron products are listed at www.crestron.com/legal/patents.

Certain Crestron products contain open source software. For specific information, please visit www.crestron.com/opensource.

Crestron and the Crestron logo are either trademarks or registered trademarks of Crestron Electronics, Inc. in the United States and/or other countries. Other trademarks, registered trademarks, and trade names may be used in this document to refer to either the entities claiming the marks and names or their products. Crestron disclaims any proprietary interest in the marks and names of others. Crestron is not responsible for errors in typography or photography.

©2019 Crestron Electronics, Inc.

Crestron Electronics, Inc.
15 Volvo Drive, Rockleigh, NJ 07647
Tel: 888.CRESTRON
Fax: 201.767.7576
www.crestron.com

Quick Start - Doc. 8455A
(2053591)
05/31/19

Specifications subject to change without notice.