

Crestron Flex Upgrade Solution for TSW-1060 Touch Screens

The Upgrade Solution for TSW-1060 Touch Screen ([UC-B160-UPGRD](#)) upgrades a TSW-1060 Touch Screen installation to a Crestron Flex UC-B160-T system. The UC-B160-T delivers a powerful, professional solution for knowledge workers who want the Microsoft Teams® software experience in small to midsize meeting spaces and conference rooms.

The UC-B160-UPGRD comes with a UC-BRKT-100-ASSY Wall Bracket Assembly which contains an HD-CONV-USB-200 HDMI® to USB 3.0 Converter, UC-ENGINE, and required mounting hardware, the UC-SB1-CAM-FLEX UC smart soundbar and camera for full-duplex wideband audio and HD video, and all of the cables required to complete the installation.

Minimum Requirements

- A video display, connected to the UC-ENGINE. The system supports a second display if desired.
- A Microsoft Teams or Skype® for Business software account
- An environment running Microsoft Exchange Server® software (2013 SP1 or later for on-premises installation or Microsoft 365® software for Cloud) for scheduling and/or Skype for Business 2015 (on-premises installation or Microsoft 365 software for Cloud)

View the [Crestron Flex Pre-Deployment Checklist](#) to help plan your Crestron Flex installation.



In the Box

UC-BRKT-100-ASSY, UC Engine Bracket Assembly

- 1 UC-BRKT-100-ASSY (6510636)
- 1 Power cord
- Mounting Hardware

UC-SB1-CAM-FLEX, UC Video Conference Smart Soundbar

- 1 UC-SB1-CAM-FLEX (6511046)
- 1 Power Cord
- 1 USB Cable
- Mounting Hardware

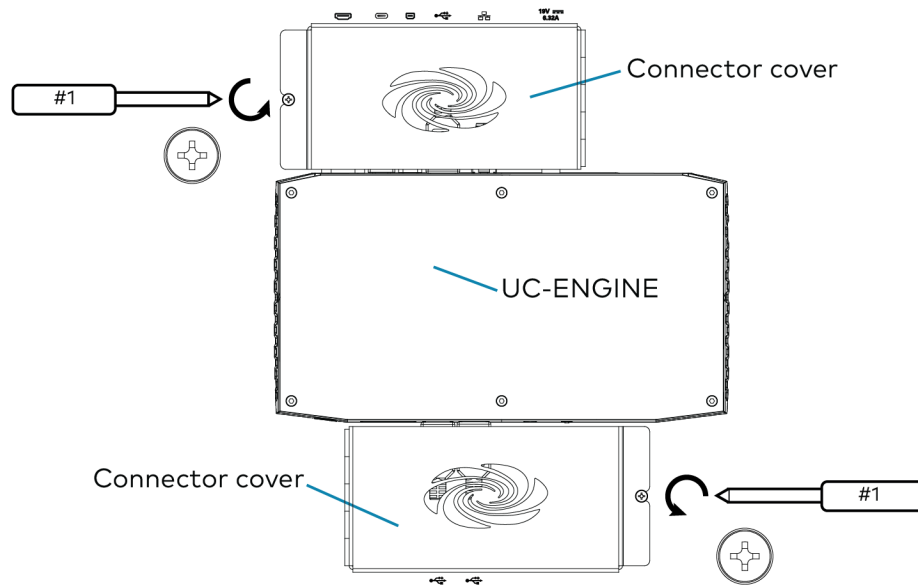
Accessory Box

- 1 CBL-CAT5E-7, CAT5e cable RJ-45-to-RJ-45, Black, 7 ft (2.1 m) (6509924)
- 1 CBL-HD-THIN-HS-6, Thin HDMI cable, 6 ft (1.8 m) (6510946)
- 1 CBL-HD-20, HDMI cable 20 ft (6.1 m) (6503567)
- 1 CBL-USBC-HD-9, USB 3.0 to HDMI Converter cable, 9 ft (2.7 m) (6510718)
- 1 CCS-UCA-KB-USB, Wireless keyboard (6509547)

Crestron Flex Upgrade Solution for TSW-1060 Touch Screens

 Connect

1. Remove the connector covers prior to making UC-ENGINE connections on the UC-BRKT-100-ASSY bracket assembly.



2. Make system connections as shown in the following illustrations.

The touch screen can communicate with the bracket assembly over a direct connection or a network connection.

- Choose a [Direct Connection](#) for simple installation and setup.
- Choose a [Network Connection](#) if the touch screen is to be managed by the XiO Cloud® service.

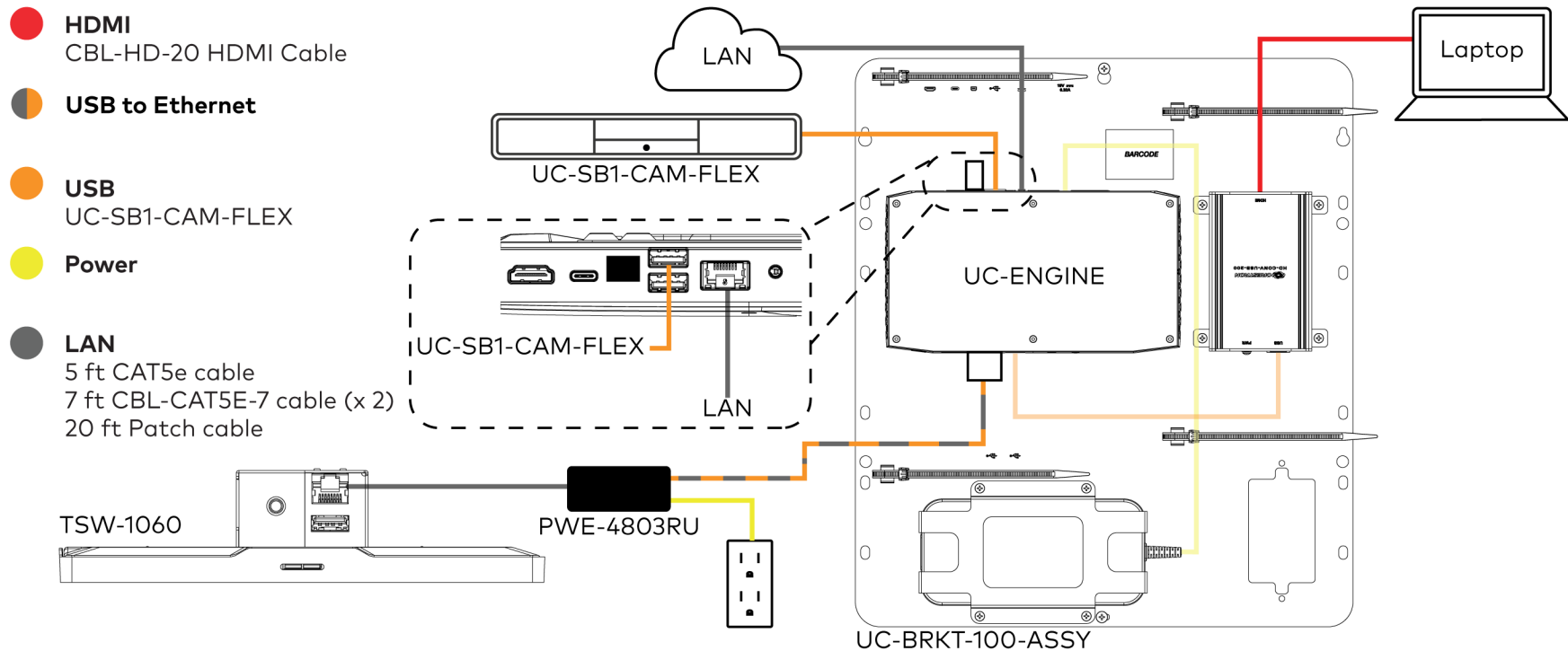
UC-B160-UPGRD

Crestron Flex Upgrade Solution for TSW-1060 Touch Screens

Direct Connection

For simplified installation and configuration, use a direct Ethernet connection between the LAN port on the touch screen's PoE injector and the UC-ENGINE. The touch screen connects to the USB-to-RJ-45 Ethernet Adapter on the bottom of the UC-ENGINE.

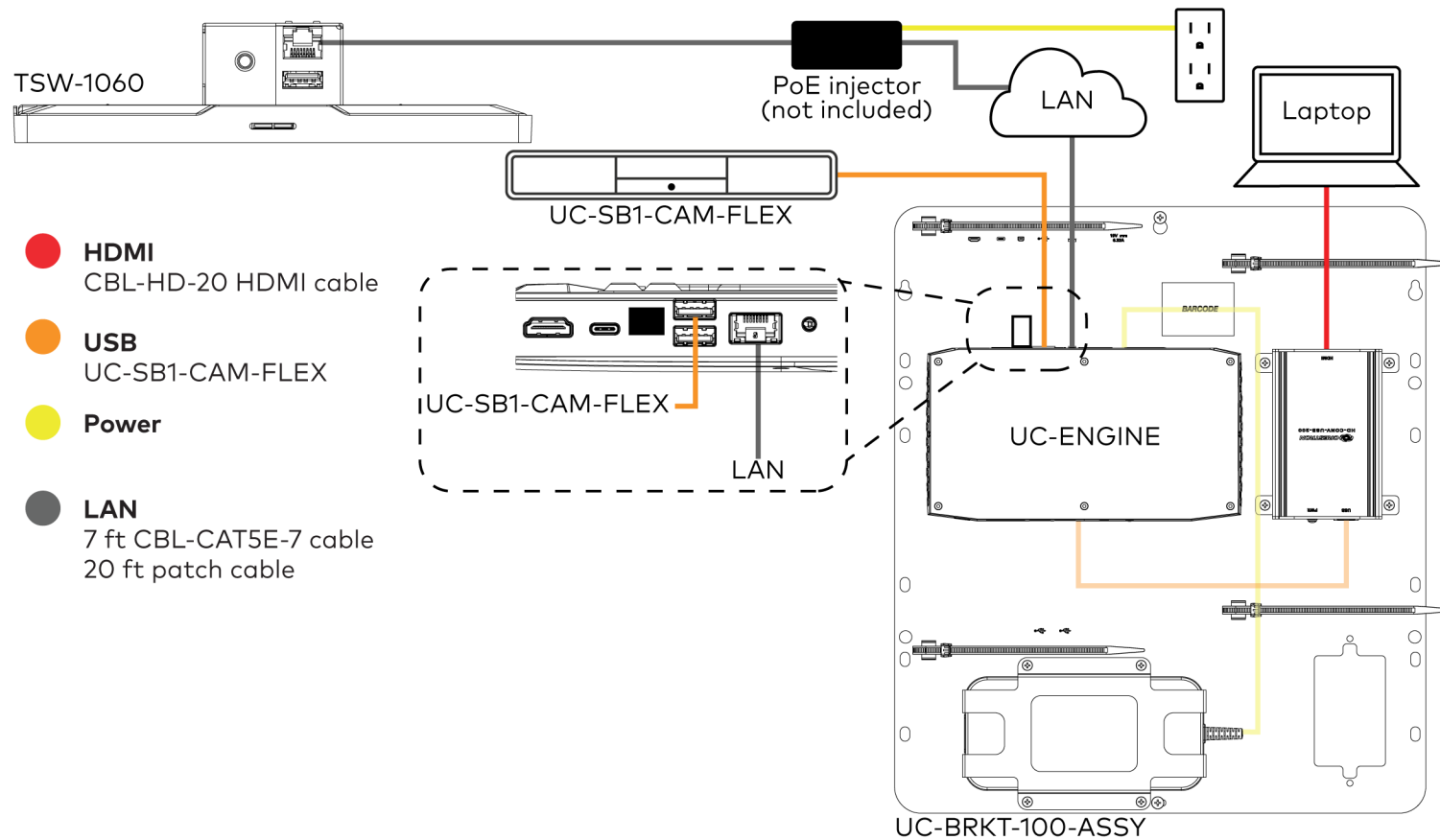
NOTE: To manage the touch screen with the XiO Cloud service, make network connections as shown on the following page.



Crestron Flex Upgrade Solution for TSW-1060 Touch Screens

Network Connection

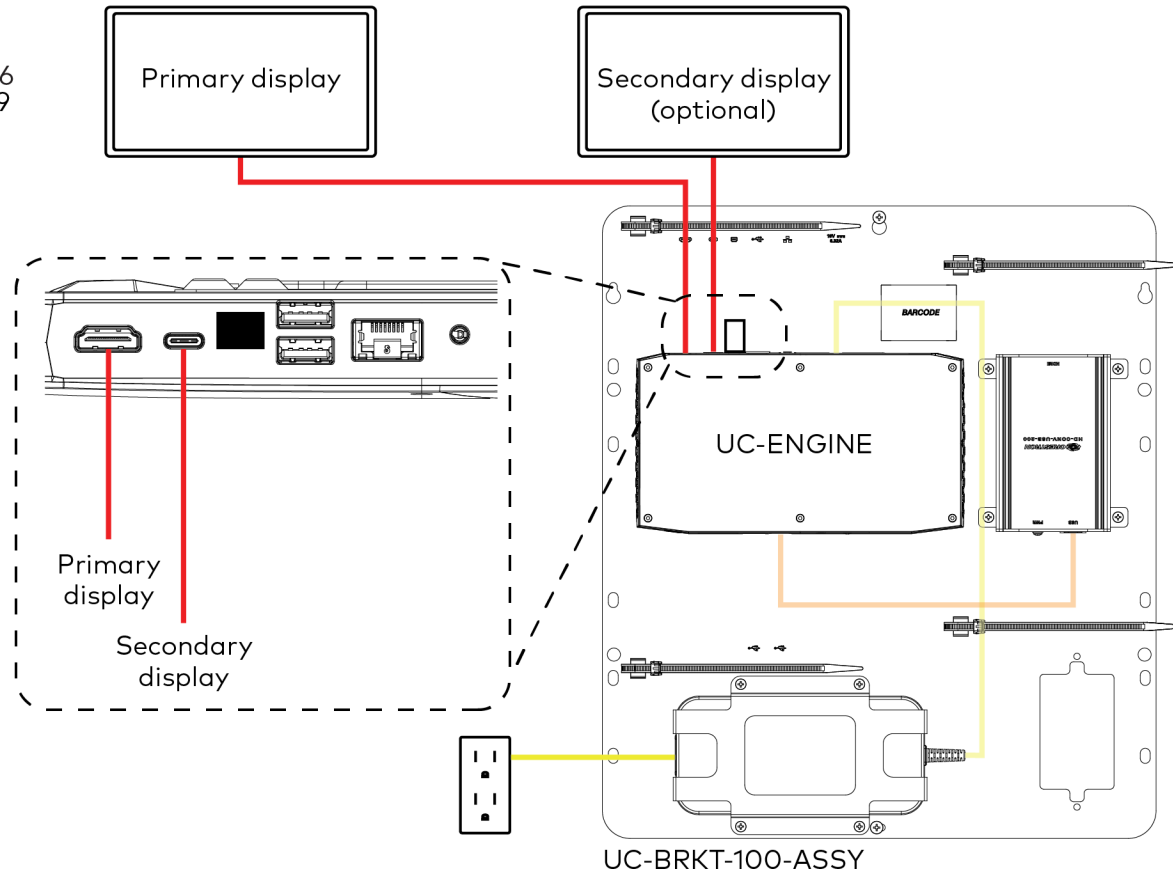
Use the network connection for full network control of the TSW-1060 touch screen with the Crestron XiO Cloud service. The LAN port on the TSW-1060 touch screen's PoE injector connects to the UC-ENGINE over the VLAN.



Crestron Flex Upgrade Solution for TSW-1060 Touch Screens

3. Connect the display devices to the UC-ENGINE as shown below.

- **HDMI**
Primary: CBL-HD-THIN-HS-6
Secondary: CBL-USBC-HD-9
- **Power**

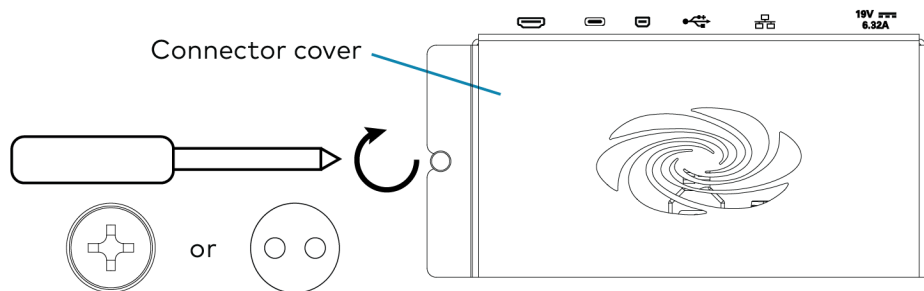


UC-B160-UPGRD

Crestron Flex Upgrade Solution for TSW-1060 Touch Screens

4. Bundle the cables with the integrated cable tie wraps. The cable tie wraps are reusable.
5. After completing UC-ENGINE connections, secure the connector covers using a #1 Phillips head screwdriver to replace the screws.

NOTE: For additional security, replace the screws with the spanner screws included with the bracket assembly. A 1/4 in. bit is also supplied with the bracket assembly to install the spanner screws.



Configure

Apply Power

Press the power button on the bottom of the UC-ENGINE and apply power to all of the other devices in the system.

Update TSW-1060 Firmware

Update the TSW-1060 with firmware 2.003.0035.001 or later, which is available from www.crestron.com/firmware. Refer to the [TSW-560/TSW-760/TSW-1060 Product Manual](#) (Doc. 7927) for details.

Configure the Touch Screen

1. On a computer, open a web browser to the IP address of the TSW-1060 touch screen.
2. Log in and navigate to **Settings > Applications**.

NOTES:

- The TSW-1060 touch screen (via the PoE injector) and computer must be on the same network switch and VLAN.
- A login with administrative rights for the TSW-1060 touch screen is required.

3. Select **Teams Video**, from the **Application Mode** drop-down list.
4. Enter the following information in the appropriate fields:
 - **Teams Video PC Address:** Enter the IP address or hostname of the UC-ENGINE.

NOTE: The hostname is printed on a label affixed to the UC-ENGINE (mounted on the UC-BRKT-100-ASSY bracket assembly).

- **Teams Video PC Port:** By default, port number 49500 is used. If a different port number has been configured on the UC-ENGINE, enter that port number instead.
- **Teams Video Username:** Enter the login username for the UC-ENGINE. (The default username is "admin".)
- **Teams Video Password:** Enter the login password for the UC-ENGINE. (The default password is "sfb".)

5. Click **Save Changes**.

For more information, refer to the [TSW-560/TSW-760/TSW-1060 Product Manual](#) (Doc. 7927).

Crestron Flex Upgrade Solution for TSW-1060 Touch Screens

Configure the System

Connect the included keyboard to an open USB port on the UC-ENGINE and use your Microsoft Teams or Skype account credentials to configure system features. For detailed information on deploying Microsoft Teams Rooms, refer to the [Microsoft Teams Rooms](#) documentation.



Visit the Product Page

Scan the QR code to visit the product page.

UC-B160-UPGRD



www.crestron.com/model/6511078

Additional Information

Original Instructions

The U.S. English version of this document is the original instructions. All other languages are a translation of the original instructions.

Crestron product development software is licensed to Crestron dealers and Crestron Service Providers (CSPs) under a limited nonexclusive, nontransferable Software Development Tools License Agreement. Crestron product operating system software is licensed to Crestron dealers, CSPs, and end-users under a separate End-User License Agreement. Both of these Agreements can be found on the Crestron website at www.crestron.com/legal/software_license_agreement.

The product warranty can be found at www.crestron.com/warranty.

The specific patents that cover Crestron products are listed at www.crestron.com/legal/patents.

Certain Crestron products contain open source software. For specific information, visit www.crestron.com/opensource.

Crestron, the Crestron logo, and DigitalMedia, are either trademarks or registered trademarks of Crestron Electronics, Inc. in the United States and/or other countries. HDMI and the HDMI logo are either trademarks or registered trademarks of HDMI Licensing LLC in the United States and/or other countries. Microsoft 365, Microsoft Exchange Server, Microsoft Teams, and Skype are either trademarks or registered trademarks of Microsoft Corporation in the United States and/or other countries. Other trademarks, registered trademarks, and trade names may be used in this document to refer to either the entities claiming the marks and names or their products. Crestron disclaims any proprietary interest in the marks and names of others. Crestron is not responsible for errors in typography or photography.

HDMI

©2020 Crestron Electronics, Inc.

Doc ID 8478C

10/30/20