



Description

The Crestron® Vector™ performance loudspeakers are designed for use in public and commercial spaces. These loudspeakers range in size from a compact 6.5" full range product that services small conference room environments to large systems with 15" coaxial speakers and 18" subwoofers for use in auditoriums, lecture halls, and conference centers.

Additional Resources

Visit the product page on the Crestron website (www.crestron.com) for additional information and the latest firmware updates. Use a QR reader application on your mobile device to scan the QR image.



Installation

Vector loudspeakers are constructed with threaded inserts that are used to permanently mount the speaker. There are two options for mounting a speaker: use Vector EB eye bolts for multipoint horizontal or vertical suspension with wire rope, or use a Vector YB yoke bracket for rigid horizontal attachment. Vector EB eye bolts and Vector YB yoke brackets are sold separately. See the table below for a list of compatible accessories.

WARNING: The installer is responsible for providing a properly engineered solution for suspending or mounting a speaker. The installer is responsible for obtaining rigging designs and drawings from a professional engineer, obtaining required permits, and receiving inspections and final approvals from the authority having jurisdiction of the installation site.

SPEAKER MODEL	COMPATIBLE ACCESSORY		
	EYE BOLT	YOKE	CONNECTOR
VECTOR CD896	EB6	YOKE8D	CONN2 or CONN4
VECTOR CD896-RH	EB6	YOKE8D	CONN2 or CONN4
VECTOR CD1265	EB10	YOKE12D	CONN4
VECTOR CD1265-RH	EB10	YOKE12D	CONN4
VECTOR CD1295	EB10	YOKE12D	CONN4
VECTOR CD1295-RH	EB10	YOKE12D	CONN4
VECTOR CD1565	EB10	N/A	CONN4
VECTOR CD1565-RH	EB10	N/A	CONN4
VECTOR CD1595	EB10	N/A	CONN4
VECTOR CD1595-RH	EB10	N/A	CONN4
VECTOR CS1265	EB10	YOKE12	CONN2 or CONN4
VECTOR CS1265-RH	EB10	YOKE12	CONN2 or CONN4
VECTOR CS1295	EB10	YOKE12	CONN2 or CONN4
VECTOR CS1295-RH	EB10	YOKE12	CONN2 or CONN4
VECTOR CS1565	EB10	YOKE15	CONN2 or CONN4
VECTOR CS1565-RH	EB10	YOKE15	CONN2 or CONN4
VECTOR CS1595	EB10	YOKE15	CONN2 or CONN4
VECTOR CS1595-RH	EB10	YOKE15	CONN2 or CONN4
VECTOR CS699	EB6	YOKE6	CONN2 or CONN4
VECTOR SUBD18	EB10	N/A	CONN4
VECTOR SUBS15	EB10	N/A	CONN2 or CONN4
VECTOR SUBS18	EB10	N/A	CONN2 or CONN4

NOTE: Speaker models with the "RH" suffix are supplied with a rotated horn. The horn's wide angle is parallel to the wide dimension of the enclosure.

Eye Bolts

Each speaker has threaded inserts located on the top, bottom, sides and rear that are for use with Vector EB eye bolts. The speaker's threaded inserts support the weight of the speaker enclosure and cannot be used to support any additional weight. No additional load-bearing capability is either certified or recommended. M6 threads are used on the Vector CS699 and CD896(-RH) speakers. M10 threads are used on the Vector CD1265(-RH), CD1295(-RH), CD1565(-RH), CS1265(-RH), CS1295(-RH), CS1565(-RH), CS1595(-RH), SUBD18, SUBS15, and SUBS18.

Use an appropriate hex key to remove the thread cover(s) and install the appropriate eye bolts for suspending and aiming the speaker.

CAUTION: Do not remove any of the Phillips screws from the speaker enclosure.

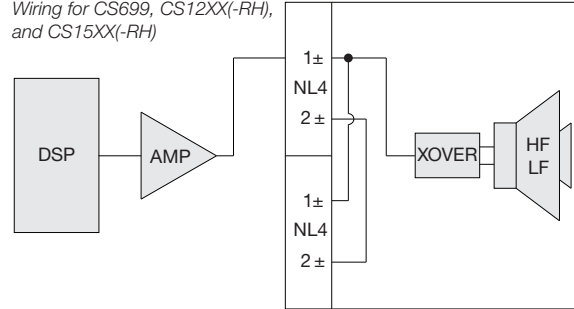
Yoke Brackets

Yoke brackets are used for rigid horizontal attachment to a mounting surface. Yoke brackets are available for the Vector CD896(-RH), CD1265(-RH), CD1295(-RH), CS699, CS1265(-RH), CS1295(-RH), CS1565(-RH), and CS1595(-RH) speakers. For details, refer to the VECTOR YOKE6/YOKE8D/YOKE12/YOKE12D/YOKE15 Installation Guide (Doc. 8210) at www.crestron.com/manuals.

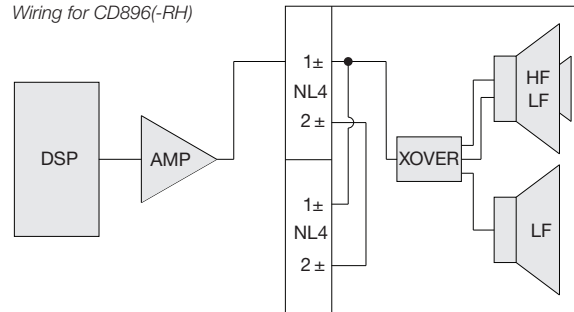
Hardware Hookup

Each Vector speaker has a set of Neutrik® speakON® input and pass-through connections on the rear panel. Refer to the following diagrams when wiring the Vector CONN2 and CONN4 connectors.

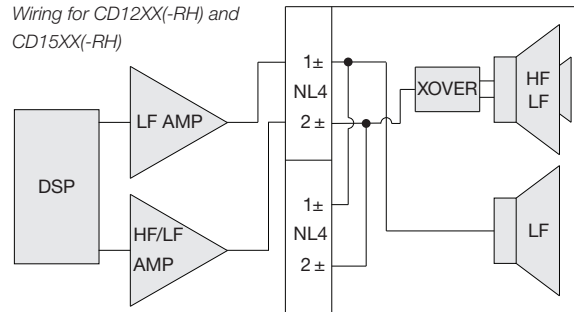
Wiring for CS699, CS12XX(-RH), and CS15XX(-RH)



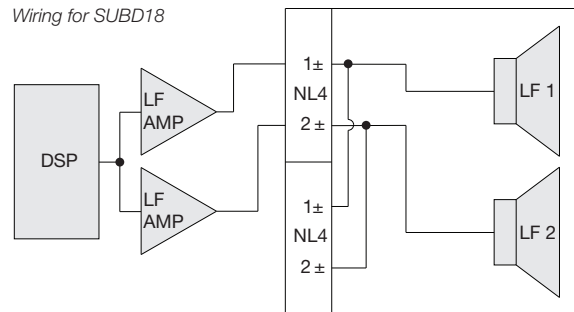
Wiring for CD896(-RH)



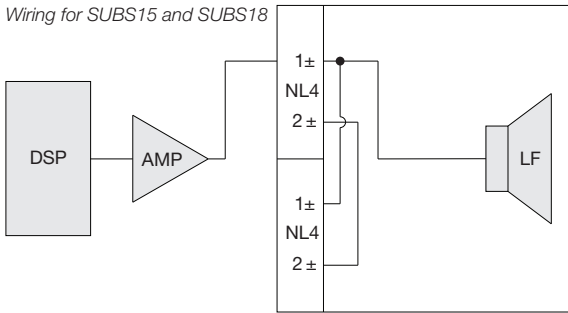
Wiring for CD12XX(-RH) and CD15XX(-RH)



Wiring for SUBD18



Wiring for SUBS15 and SUBS18



As of the date of manufacture, the product has been tested and found to comply with specifications for CE marking.



The product warranty can be found at www.crestron.com/warranty.

The specific patents that cover Crestron products are listed at patents.crestron.com.

Certain Crestron products contain open source software. For specific information, please visit www.crestron.com/opensource.

Crestron, the Crestron logo, and Vector are either trademarks or registered trademarks of Crestron Electronics, Inc. in the United States and/or other countries. Neutrik and speakON are either trademarks or registered trademarks of Neutrik AG in the United States and/or other countries. Other trademarks, registered trademarks, and trade names may be used in this document to refer to either the entities claiming the marks and names or their products. Crestron disclaims any proprietary interest in the marks and names of others. Crestron is not responsible for errors in typography or photography.

This document was written by the Technical Publications department at Crestron.

©2017 Crestron Electronics, Inc.

Crestron Electronics, Inc.
15 Volvo Drive, Rockleigh, NJ 07647
Tel: 888.CRESTRON
Fax: 201.767.7576
www.crestron.com

Installation & Operation Guide - DOC. 8209B
(2049039)

11.17
Specifications subject to
change without notice.