

HZA-KEY1/HZA-KEY2/HZA-KEY4

Keystone Wallplates

The Crestron® HZA-KEY1, HZA-KEY2, and HZA-KEY4 are keystone wallplates that match the aesthetic of Crestron Horizon™ keypads, dimmers, and switches. The keystone wallplates are available with 1, 2, or 4 openings to accommodate a variety of keystone modules and to match the installation requirement.

The HZA-KEY1, HZA-KEY2, and HZA-KEY4 are functionally identical. For simplicity within this guide, the term "HZA-KEY" is used except where indicated.

Check the Box

Item	Qty
HZA-KEY1, HZA-KEY2, or HZA-KEY4*	1

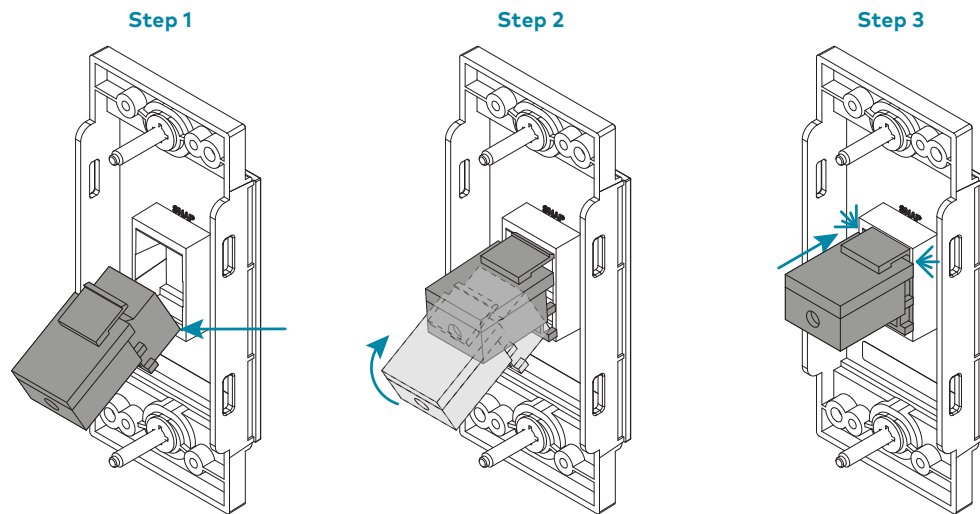
* Refer to the HZA-KEY1, HZA-KEY2, or HZA-KEY4 product page at www.crestron.com for a complete list of color variations.

Install the Keystone Module

Make all necessary connections to the keystone module prior to installation. For details, refer to the documentation provided with the keystone module.

To install the keystone module:

1. Place the bottom lip of the keystone module over the bottom lip in the opening of the HZA-KEY.
2. Tilt the keystone module up until the top of the module lines up with the rear of the HZA-KEY.
3. Press the keystone module into the rear of the HZA-KEY. The keystone module snaps into place.
4. For HZA-KEY2 and HZA-KEY4 wallplates, repeat steps 1 - 3 as necessary.



Install the HZA-KEY

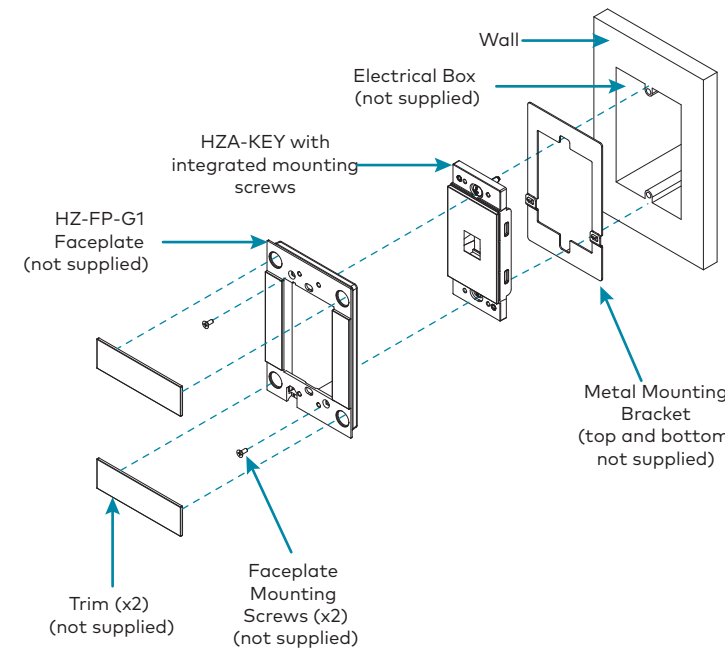
The HZA-KEY utilizes integrated mounting screws to secure it to the electrical box. The HZA-KEY must be paired with an HZ-FP faceplate (sold separately) to complete the installation.

CAUTION: Do not mix high- and low-voltage devices in the same electrical box without an approved barrier.

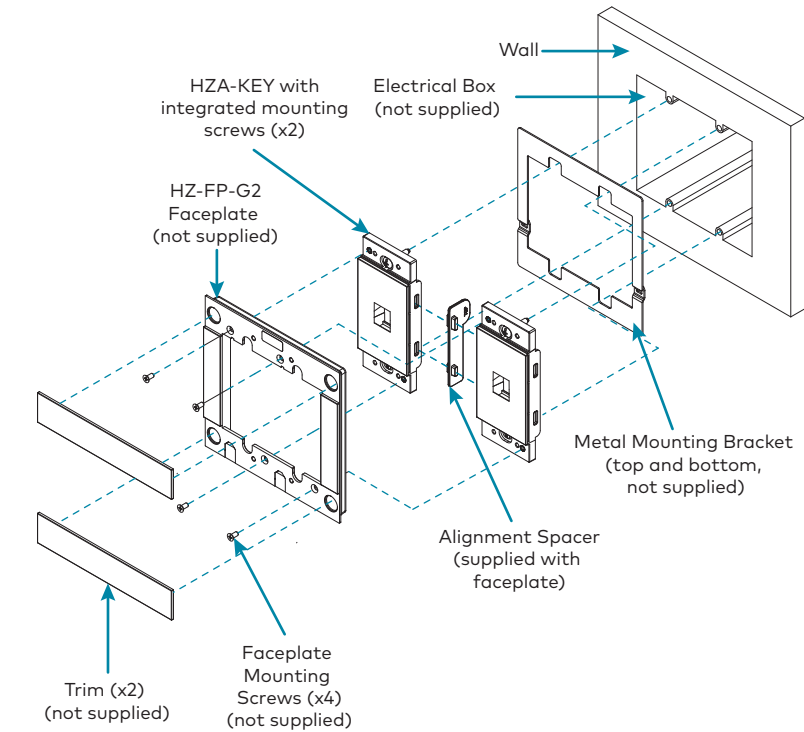
NOTE: If the HZ-FP is not available at the time of installation, fold the wires into the electrical box and then secure the HZA-KEY to the electrical box using the integrated mounting screws. When the faceplate is available for installation, refer to the HZ-FP Quick Start (Doc. 8286) at www.crestron.com/manuals.

1. Turn the system power OFF.
 - NOTE:** For multi-gang installations, insert an alignment spacer (supplied with HZ-FP) between adjacent devices to maintain proper alignment and spacing.
2. Place the metal mounting bracket (supplied with HZ-FP) over the back of the HZA-KEY. The two-part metal bracket clips together which allows the wiring to remain in place.
3. Fold the wires into the electrical box.
4. Secure the HZA-KEY to the electrical box using the integrated mounting screws on the device. To allow for adjustments, do not fully tighten the screws at this time.
5. Attach an HZ-FP to the HZA-KEY using the 4-40 x 1/4 in. faceplate mounting screws that are provided with the HZ-FP.
6. Ensure that the HZA-KEY is properly aligned within the HZ-FP and then fully tighten the integrated mounting screws to secure the HZA-KEY to the electrical box.
7. Attach the magnetic top and bottom trim pieces (supplied with HZ-FP) to the HZ-FP.
8. Turn the system power ON.

Single-Gang Installation



Multi-Gang Installation



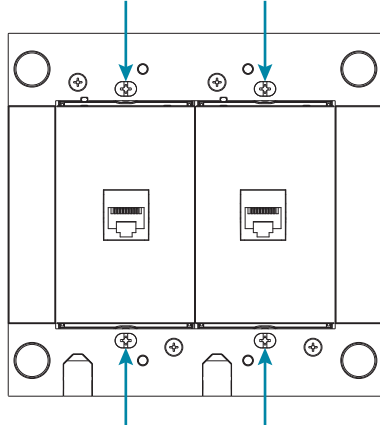
NOTE: HZ-FP2 shown. Installation is similar for HZ-FP-G3 and HZ-FP-G4.



Adjust the Faceplate

1. Remove the magnetic top and bottom trim pieces from the faceplate.
2. Using a #1 Phillips screwdriver through the holes in the faceplate, loosen the integrated mounting screws that secure the HZA-KEY to the electrical box.
3. Ensure that the faceplate is properly aligned and tighten the screws.
4. Reattach the magnetic top and bottom trim pieces to the faceplate.

Adjust the faceplate using the integrated mounting screws indicated below.



For Additional Information

Scan or click the QR code for detailed product information.



HZA-KEY1



HZA-KEY2



HZA-KEY4

Compliance and Legal

The product warranty can be found at www.crestron.com/warranty.

The specific patents that cover Crestron products are listed at www.crestron.com/legal/patents.

Certain Crestron products contain open source software. For specific information, please visit www.crestron.com/opensource.

Crestron, the Crestron logo, and Horizon are either trademarks or registered trademarks of Crestron Electronics, Inc. in the United States and/or other countries. Other trademarks, registered trademarks, and trade names may be used in this document to refer to either the entities claiming the marks and names or their products. Crestron disclaims any proprietary interest in the marks and names of others. Crestron is not responsible for errors in typography or photography.

©2018 Crestron Electronics, Inc.

Crestron Electronics, Inc.
15 Volvo Drive, Rockleigh, NJ 07647
Tel: 888.CRESTRON
Fax: 201.767.7576
www.crestron.com

Quick Start - Doc. 8290B
(2052386)

12.18
Specifications subject to
change without notice.