

FSDI8-W-T

Ceiling Mount Media Presentation Speakers

1 Installation

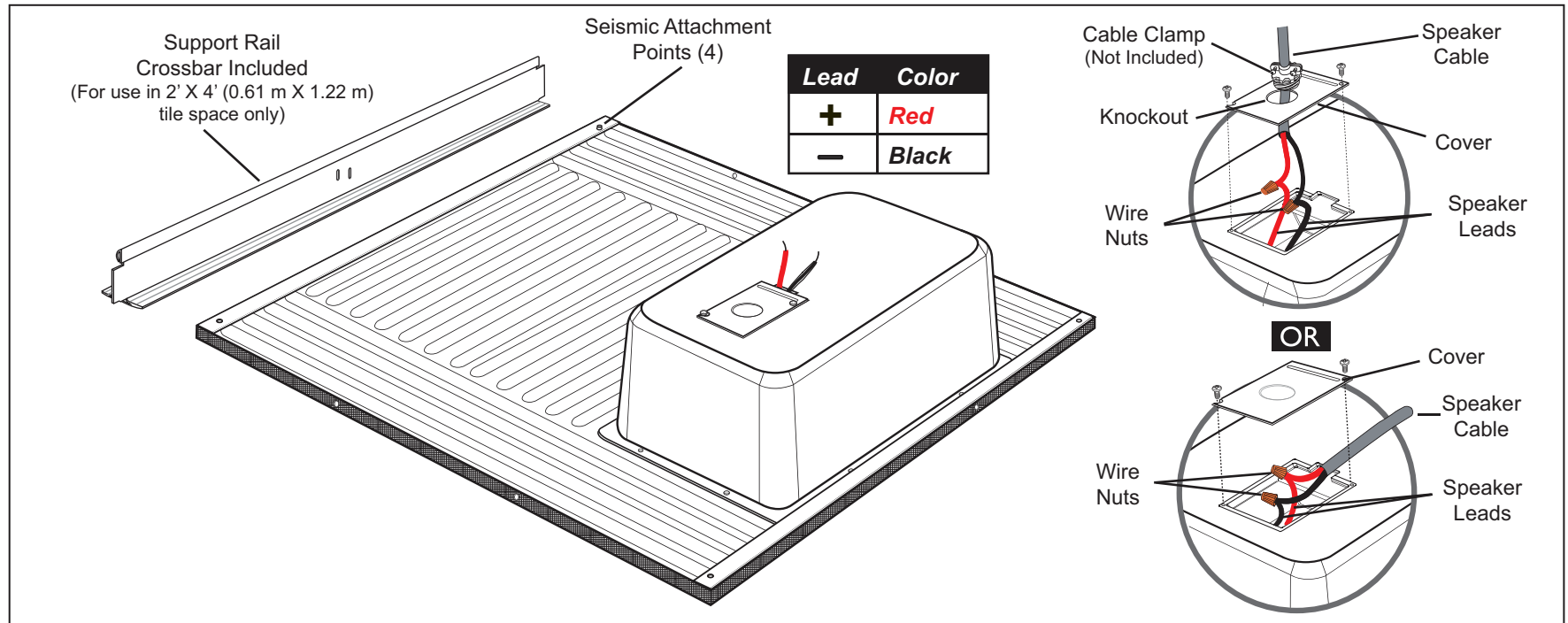
The Crestron® FSDI8-W-T provides a pair of ceiling mount loudspeakers designed for multimedia presentation and speech reinforcement in classrooms and other indoor applications. Each speaker features an 8" (203 mm) full-range driver in a damped enclosure. Drop-in simplicity affords fast and easy installation in a typical 2' X 2' (0.61 m X 0.61 m) or 2' X 4' (0.61 m X 1.22 m) suspended ceiling grid.

Installation consists of the following (refer to the illustration below):

1. Place the speaker into position in the grid. In a 2' X 4' grid, cut the ceiling tile in half (23-3/4" max), and install the included support rail.
2. Route the speaker cable to the speaker.
3. Strip the ends of the speaker cable wire approximately 5/8 inch (15 mm) and twist the bared strands.
4. Remove the screws securing the cover on the back can, open the cover and remove the included wire nuts.

5. Following one of the two methods shown in the illustration, use the wire nuts to connect the speaker wires to the speaker cable wires, observing the proper polarity (+ to +, - to -).
6. Using the screws removed earlier, attach the cover to the back can.

Speaker Connections



2 Specifications

FSDI8-W-T Specifications

SPECIFICATION	DETAILS
Driver	8 inch (203 mm) full-range with secondary high-frequency cone
Impedance	8 Ohms nominal
Frequency Response	85 Hz to 18 kHz
Sensitivity	94 dB SPL minimum @ 1 W/1 m
Dispersion	100° @ 2 kHz (-6 dB)
Power Handling	15 Watts
Recommended Amplifier Power	5 to 30 Watts
Environmental	
Temperature	41° to 104° F (5° to 40° C)
Humidity	10% to 90% RH (non-condensing) For indoor use only
Enclosure	
Enclosure	Industrial grade steel with perforated grill and four seismic attachment points
Grille	Finely-perforated metal, matte white finish
Mounting	Designed for 2' X 2' (0.61 m X 0.61 m) or 2' X 4' (0.61 m X 1.22 m) suspended ceiling grid, includes four attachment points and support rail crossbar for 2' X 4' (0.61 m X 1.22 m) applications
Dimensions	
Height	5 in (127 mm)
Width	23-13/16 in (605 mm)
Depth	23-13/16 in (605 mm)
Weight	12.0 lb (5.5 kg) per speaker

3 Problem Solving

Troubleshooting

The following table provides corrective action for possible trouble situations. If further assistance is required, please contact a Crestron customer service representative.

TROUBLE	POSSIBLE CAUSE(S)	CORRECTIVE ACTION
No sound or intermittent sound from speakers	Cable connection error.	Verify cable connections between amplifier and speakers
	Amplifier not receiving input signal or amplifier malfunction.	Verify amplifier is functioning correctly, that it is receiving an input signal and that correct input source is selected
Constant noise such as buzz, hum or hiss from speakers.	Faulty device in system.	Verify all devices in system are functioning properly.
	System grounding fault.	Verify system grounding.
Poor low frequency output.	Incorrect polarity connection at speaker.	Verify speaker connection polarity (i.e., + on speaker to + on amplifier).

Further Inquiries

To locate specific information or resolve questions after reviewing this guide, contact Crestron's True Blue Support at 1-888-CRESTRON [1-888-273-7876] or refer to the listing of Crestron worldwide offices on the Crestron Web site (www.crestron.com/offices) for assistance within a particular geographic region.

To post a question about Crestron products, log onto the Online Help section of the Crestron Web site (www.crestron.com/onlinehelp). First-time users must establish a user account to fully benefit from all available features.

Future Updates

Check the Crestron Web site periodically for manual update availability and its relevance. Updates are identified as an "Addendum" in the Download column.

The specific patents that cover Crestron products are listed at patents.crestron.com.

Crestron and the Crestron logo are either trademarks or registered trademarks of Crestron Electronics, Inc. in the United States and/or other countries. Other trademarks and trade names may be used in this document to refer to either the entities claiming the marks and names or their products. Crestron disclaims proprietary interest in the marks and names of others.
© 2012 Crestron Electronics, Inc.