

3-Series® Room Media Controller

The Crestron® [RMC3](#) is a compact, cost-effective 3-Series® control system designed to provide control and monitoring for a single display device, a small AV system, lighting and shading, climate control, security, energy management, and many other specialized applications. Its small form factor allows it to be placed just about anywhere with the option to attach it to a flat surface or DIN rail.



In the Box

- 1 RMC3, 3-Series® Media Room Controller

Additional Items

- 1 Bracket, Mounting, Integrated DIN Rail Clip (4510935)
- 2 Screw, 6-32, 3/8 in., Phillips (2007225)
- 1 Adapter, USB to USB Mini (2037338)
- 2 Connector, 3-Pin (2003575)
- 2 Connector, 4-Pin (2003576)
- 1 Connector, 5-Pin (2003577)



Mount the Device

The RMC3 can be mounted onto a flat surface or a standard DIN rail using the included mounting bracket.

CAUTION: To prevent overheating, do not operate the RMC3 in an area that exceeds the environmental temperature range (32 to 104 °F or 0 to 40 °C) for this device.

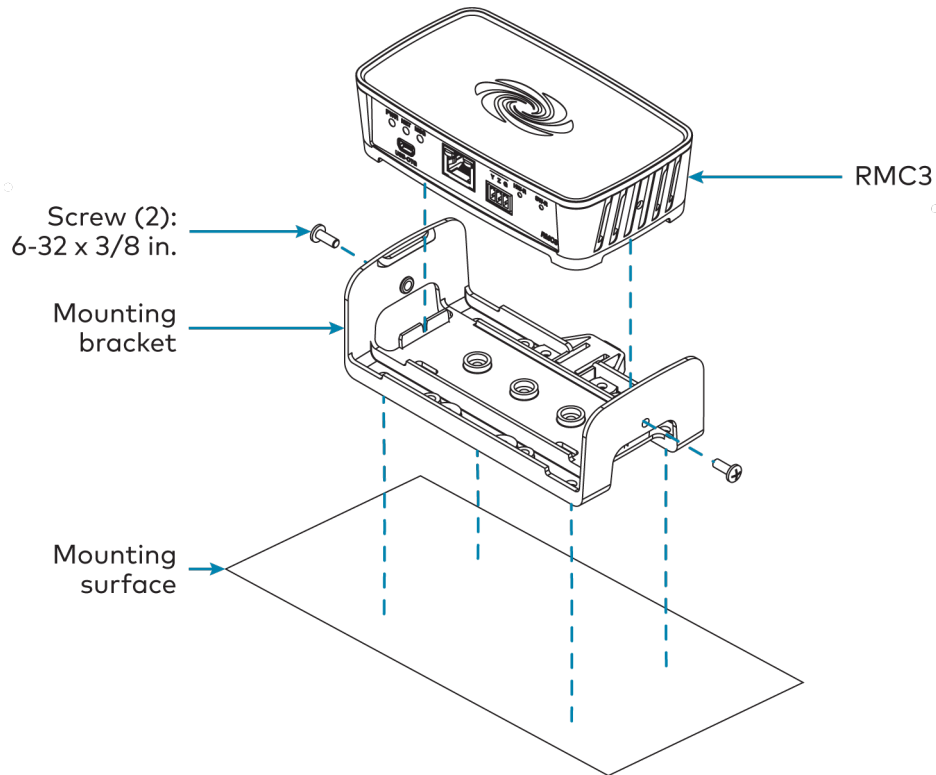
Optional rack mount and pole mount kits (not included) are also available for use with the extender. For more information, refer to the RMK-IFE-1U Installation Guide (Doc. 7627) and the PLMK-IFE-101 Installation Guide (Doc. 7615) at www.crestron.com/manuals.

Surface Mounting

1. Detach the RMC3 from the mounting bracket by pulling the left and right flanges of the bracket outward to release the tabs that hold the RMC3 in place.
2. Attach the mounting bracket to the surface by using four appropriate mounting screws (not included) through the four mounting holes on the bottom of the bracket.
3. Align the slots on the bottom of the RMC3 with the tabs on the mounting bracket.
4. Press the RMC3 into the bracket until it snaps into place.

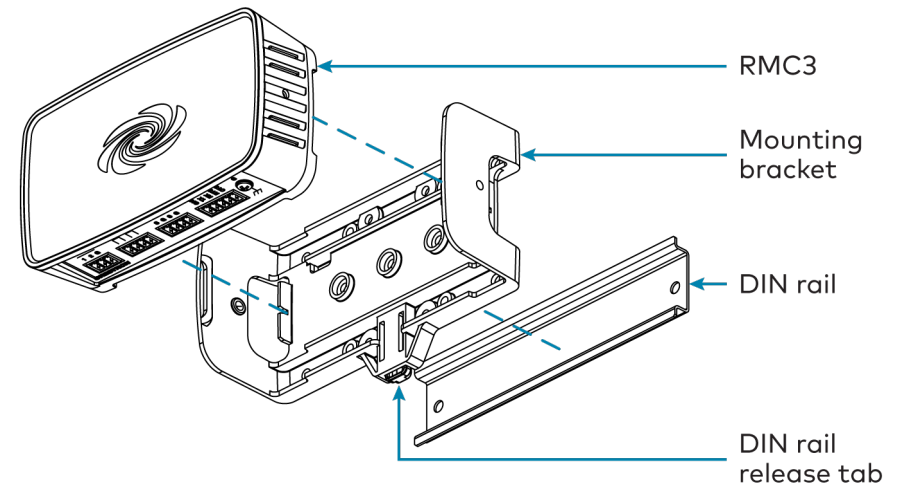
3-Series® Room Media Controller

5. (Optional) Secure the extender to the bracket using the two included 6-32 3/8 in. screws as shown in the following illustration.



DIN Rail Mounting

1. Detach the RMC3 from the mounting bracket by pulling the left and right flanges of the bracket outward to release the tabs that hold the RMC3 in place.
2. Pull the DIN rail release tab downward using a flat-head screwdriver.
3. Position the DIN rail mounting tabs (located on the rear of the bracket) over the top edge of the DIN rail.
4. Push the DIN rail release tab upward to lock the mounting bracket onto the rail.
5. Align the slots on the bottom of the RMC3 with the tabs on the mounting bracket.
6. Press the RMC3 into the bracket until it snaps into place.



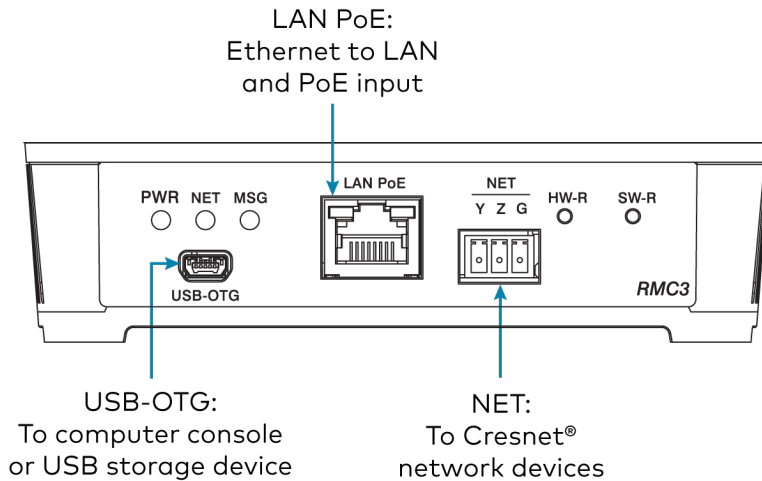
NOTE: Do not use the included screws to secure the bracket to the bottom of the RMC3 when mounting into a DIN rail, as it will then not be possible to remove the RMC3 from the DIN rail.

3-Series® Room Media Controller

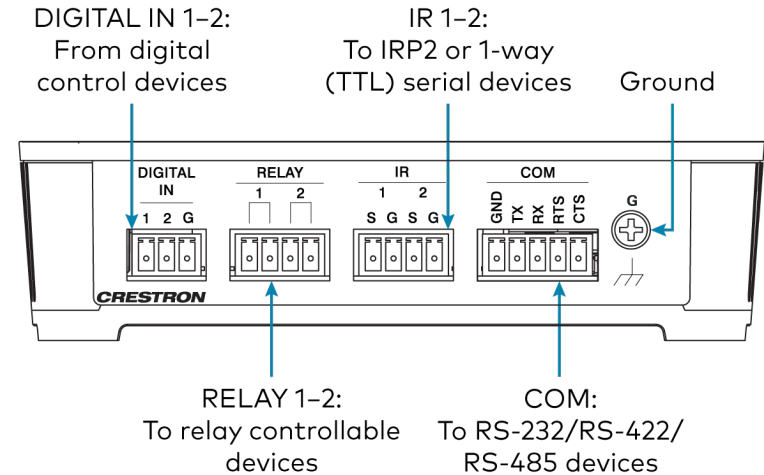
Connect the Device

Make all device connections as shown in the following illustrations.

Front Panel Connections



Rear Panel Connections



Observe the following when connecting the RMC3:

- Power is provided to the RMC3 by a single Ethernet cable. A Crestron PoE (Power over Ethernet) power supply, such as the PWE-4803RU, or a PoE-capable network switch is recommended (both not included).
- Connect the chassis ground lug to a known earth ground circuit (for example, building steel) to ensure that the RMC3 is grounded properly.
- Apply power after all connections have been made.

3-Series® Room Media Controller

COM 1 Connections

Port	RS-232	RS-422 ¹	RS-485
G	GND	GND	GND ²
TX	TX (from RMC3)	TX- (from RMC3)	TX-/RX-
RX	RX (to RMC3)	RX+ (from RMC3)	Not used
RTS	RTS (from RMC3)	TX+ (from RMC3)	TX+/RX+
CTS	CTS (to RMC3)	RX- (to RMC3)	Not used

1. RS-422 transmit and receive are balanced signals that require two lines plus a ground in each direction. RXD+ and TXD+ should idle high (going low at start of data transmission). RXD- and TXD- should idle low (going high at start of data transmission). If necessary, RXD+/RXD- and TXD+/TXD- may be swapped to maintain correct signal levels.
2. A ground terminal connection is recommended but not required.



Configure the Device

The RMC3 may be configured using Crestron Toolbox™ software or the included web-based configuration utility.

To configure the control system:

1. Use the Device Discovery tool in Crestron Toolbox to discover the RMC3 and its IP address on the network.
2. Use Crestron Toolbox to set the time zone. For more information, refer to the Crestron Toolbox help file.

3. Use a web browser to navigate to <http://xxx.xxx.xxx.xxx/setup>, where xxx.xxx.xxx.xxx is the device IP address. The 3-Series splash page is displayed.

NOTE: If a security warning is displayed, click **Install** to continue.



3-Series® Room Media Controller

- Click **Setup**. The main Setup page is displayed.



The Setup page displays the IP address, hostname, and MAC address of the RMC3. The Setup page also provides access to various setup and programming pages.

- Click one of the setup selections to configure the applicable device settings.
- Click the back button on any page to return to the previous page.



Visit the Product Page

Scan the QR code to visit the product page.

RMC3



www.crestron.com/model/6505761

3-Series® Room Media Controller

Additional Information

Original Instructions

The U.S. English version of this document is the original instructions. All other languages are a translation of the original instructions.

Crestron product development software is licensed to Crestron dealers and Crestron Service Providers (CSPs) under a limited nonexclusive, nontransferable Software Development Tools License Agreement. Crestron product operating system software is licensed to Crestron dealers, CSPs, and end-users under a separate End-User License Agreement. Both of these Agreements can be found on the Crestron website at www.crestron.com/legal/software_license_agreement.

The product warranty can be found at www.crestron.com/warranty.

The specific patents that cover Crestron products are listed at www.crestron.com/legal/patents.

Certain Crestron products contain open source software. For specific information, visit www.crestron.com/opensource.

Crestron, the Crestron logo, 3-Series, Cresnet, and Crestron Toolbox are either trademarks or registered trademarks of Crestron Electronics, Inc. in the United States and/or other countries. Other trademarks, registered trademarks, and trade names may be used in this document to refer to either the entities claiming the marks and names or their products. Crestron disclaims any proprietary interest in the marks and names of others. Crestron is not responsible for errors in typography or photography.

©2020 Crestron Electronics, Inc.

Doc. 7962B

03/09/20