

CSS-ARCH-MOTOR-DUAL

Architectural Motorized Shades, Dual Roll

Motorized shade series for ceiling, wall, or jamb mounting

Square fascia with matching end caps come in a variety of finishes

Dual shade rollers allow light-filtering and blackout within the same system for multi-purpose rooms

NOTE: "CSS-ARCH-MOTOR-DUAL" is sold as part of a custom-configured product and orders are placed via the Crestron® Design Tool for Crestron Shading Solutions. This specifications page is for informational purposes and shows the available parts of an Architectural Motorized Shade, Dual Roll. To configure shades or order shading parts and accessories, please use the Crestron Design Tool for Crestron Shading Solutions or call 1-855-53-S-H-A-D-E (537-4233) for support.

The Architectural dual mount system from Crestron® allows two shade fabrics with different properties to be used for the same window, creating more options for customizing lighting in a room. For example, the dual mount system can consist of a transparent shade that reduces glare during the day and a blackout shade that eliminates outside light entirely when darkness is required in the room. This is ideal in locations such as bedrooms or home theaters.

A QMT™ motor fits inside the roller shade tubing, quietly and precisely controlling the movement of the shade. Each QMT motor features either Cresnet® or inINET EX® technology for communication, making it possible to integrate into a Crestron control system.

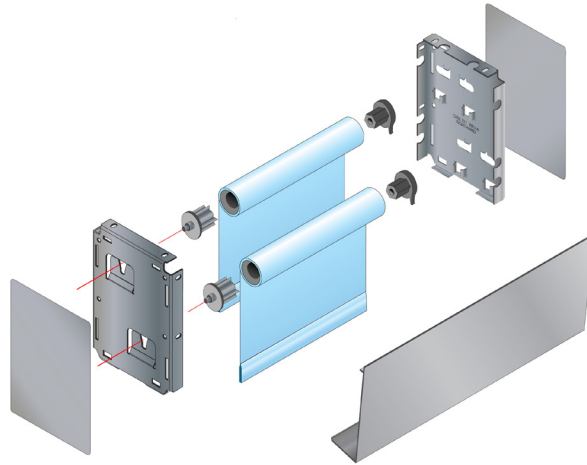
Dual Bracket & Coupler

Dual brackets make installation easier because two shades can be mounted using only one pair of brackets. Each bracket pair contains a bracket for the motor end of the shade motor and a bracket for the idler end of the shade motor. To coordinate with shade wiring, dual brackets can be ordered with the motor end specified either on the left or right side of the shade.

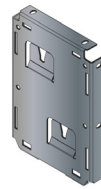
Although dual brackets speed up installation by predefining the offset required between two shade roller tubes, they cannot be adjusted after mounting like the architectural brackets. If that kind of adjustability is desired, use two single architectural brackets for a dual mount instead.

Dual couplers can link individual dual rollers shades together, allowing one pair of motors to control multiple shades.

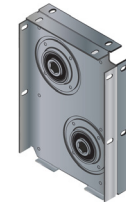
ARCHITECTURAL MOTORIZED SHADE, DUAL ROLL



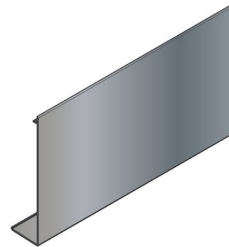
MOUNTING HARDWARE & ACCESSORIES



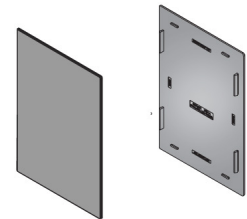
Dual Bracket



Dual Coupler



Dual Fascia



End Caps

SPECIFICATIONS

ITEM	HEIGHT	WIDTH	LENGTH	FINISH
Dual Bracket, Left	6 13/16" (173 mm)	4 5/8" (117 mm)	11/16" (17 mm)	Metal
Dual Bracket, Right	6 13/16" (173 mm)	4 5/8" (117 mm)	11/16" (17 mm)	Metal
Dual Fascia	6 7/8" (175 mm)	1 11/16" (42 mm)	Maximum 192" (4877 mm)	Metal; White, Ivory, Clear Anodized, Black, Bronze
Dual End Caps	Designed to match fascia and fit with dual bracket			Plastic; White, Ivory, Clear Anodized, Black, Bronze
Dual Coupler	6 13/16" (173 mm)	4 5/8" (117 mm)	1 3/8" (35 mm)	Metal

NOTE: Actual maximum shade size is dependent on fabric chosen.

CSS-ARCH-MOTOR-DUAL Architectural Motorized Shades, Dual Roll

Fascia

Dual fascia has a rectangular edge and is available in five different finishes. It is tensioned fit and clicks into place on a dual bracket. End caps come automatically when dual fascia is ordered and are available in the same finishes as the fascia.

AVAILABLE MODELS

CSA-BRKT-ARCH-DUAL-MTR-L: Dual Roller Fascia Bracket, Left
CSA-BRKT-ARCH-DUAL-MTR-R: Dual Roller Fascia Bracket, Right
CSA-FASCIA-DUAL: Dual Fascia
CSA-BRKT-ARCH-DUAL-EC: Dual Shade Bracket End Cap, 2
Dual Coupler

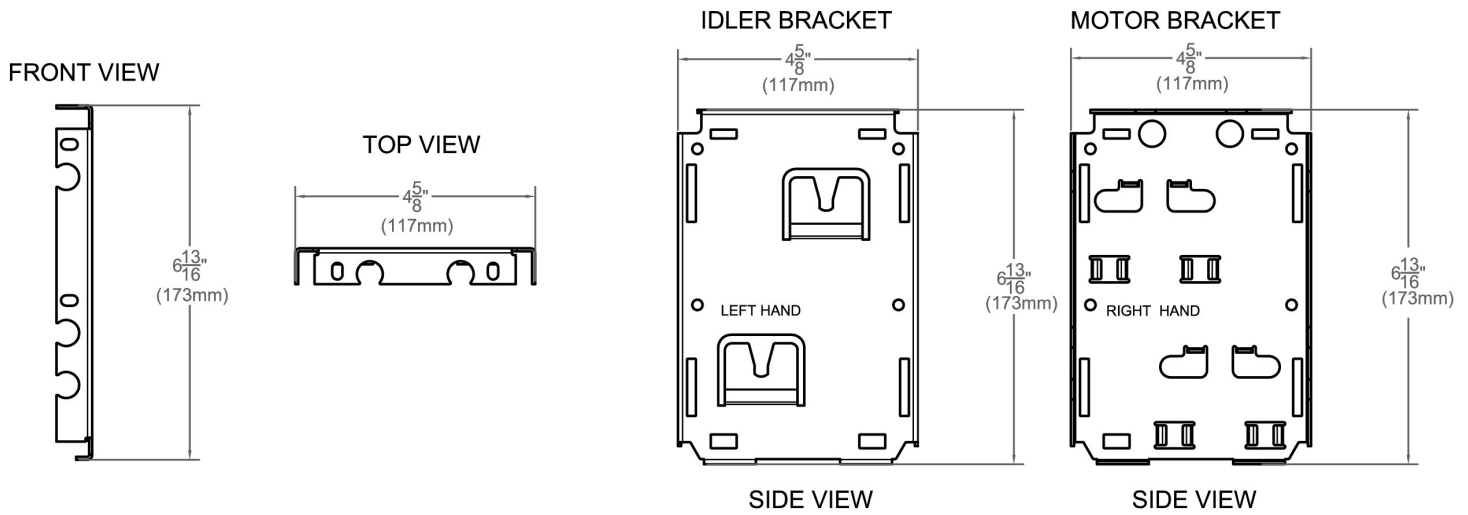
Notes: The specific patents that cover Crestron products are listed online at: patents.crestron.com.

Crestron, the Crestron logo, Cresnet, infiNET EX, and Quiet Motor Technology (QMT) are either trademarks or registered trademarks of Crestron Electronics, Inc. in the United States and/or other countries. Other trademarks, registered trademarks, and trade names may be used in this document to refer to either the entities claiming the marks and names or their products. Crestron disclaims proprietary interest in the marks and names of others. Crestron is not responsible for errors in typography or photography. Specifications are subject to change without notice. ©2014 Crestron Electronics, Inc.

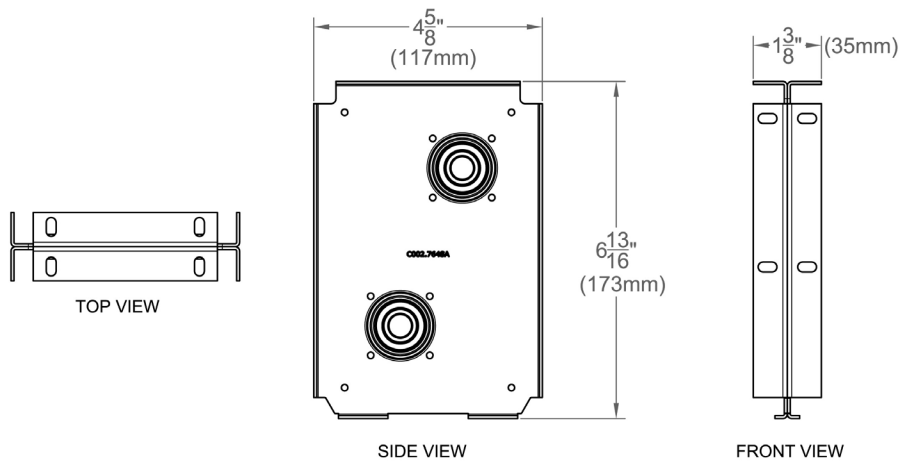
CSS-ARCH-MOTOR-DUAL Architectural Motorized Shades, Dual Roll

CAD DRAWINGS

Dual Bracket with Motor End on Right (CSA-BRKT-DUAL-MTR-R)



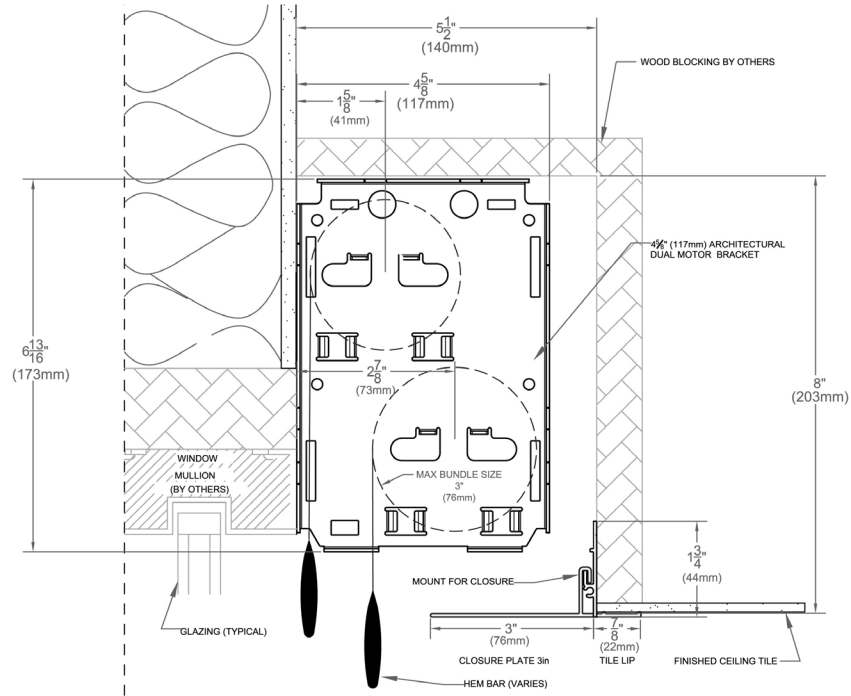
Dual Coupler



CSS-ARCH-MOTOR-DUAL Architectural Motorized Shades, Dual Roll

CAD DRAWINGS

Dual Roller Bracket in Customer Provided Pocket with Pocket Mounting Clip and 3" Closure Plate



Dual Bracket (Idler Side) with Square Fascia

