

GLPPA-KP/GLPPA-KP1/GLPPA-KP2/GLPPA-KP3/GLPPA-KP4

Keypads for Crestron Green Light® Power Pack Systems

The Crestron® GLPPA-KP, GLPPA-KP1, GLPPA-KP2, GLPPA-KP3, and GLPPA-KP4 keypads for Crestron Green Light® Power Pack (GLPP) systems are used to control the lighting zones that are connected to the Crestron Green Light Power Pack (GLPP) system.

- GLPPA-KP1 (Zone Keypad): Recalls lighting scenes for zone 1.
- GLPPA-KP2 (Zone Keypad): Recalls lighting scenes for zone 2.
- GLPPA-KP3 (Zone Keypad): Recalls lighting scenes for zone 3.
- GLPPA-KP4 (Zone Master Keypad): Toggles the loads (on/off) for the zone indicated on the button cap.
- GLPPA-KP (Master Scene Keypad): Recalls lighting scenes for all zones.

Check the Box

Item	Qty
GLPPA-KP, GLPPA-KP1, GLPPA-KP2, GLPPA-KP3, or GLPPA-KP4 ¹	1
Screw, 6-32 x 3/4 in., Truss Head, Combo (P/N 2009211)	2
Product Description (P/N 4510664)	1
GLPPA-KP Only	
Bezel & Buttons ²	1
GLPPA-KP4 Only	
Button, ALL ON ³	1

1. Refer to the GLPPA-KP, GLPPA-KP1, GLPPA-KP2, GLPPA-KP3, and GLPPA-KP4 product pages at www.crestron.com for a complete list of color and texture variations.
2. Available in the following colors: Black (4523294), Almond (4523299), White (4523269)
3. Available in the following colors: Black (4515680), Almond (4515687), White (4515679)

Install the Keypad

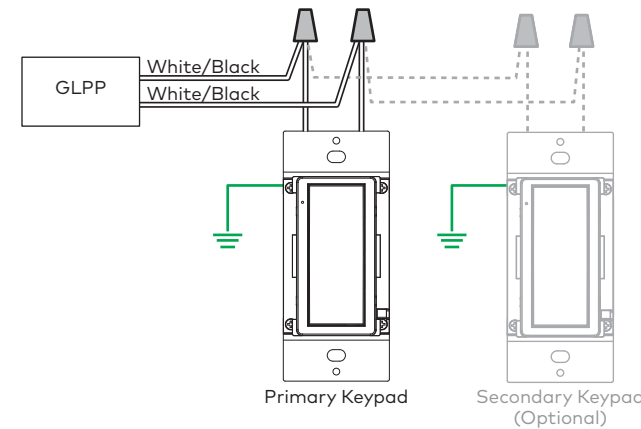
To install the keypad into a 1-gang electrical box.

1. Using new or pre-existing wiring, connect the two nonpolarized white with black stripe wires from the GLPP-DIM or GLPP-SW to the two white with black stripe wires on the keypad.

CAUTION: The keypad must be properly grounded. Install the keypad in a grounded electrical box or connect the green ground wire to the building ground. Failure to properly ground the keypad may result in damage to the keypad or the connected GLPP power pack.

NOTES:

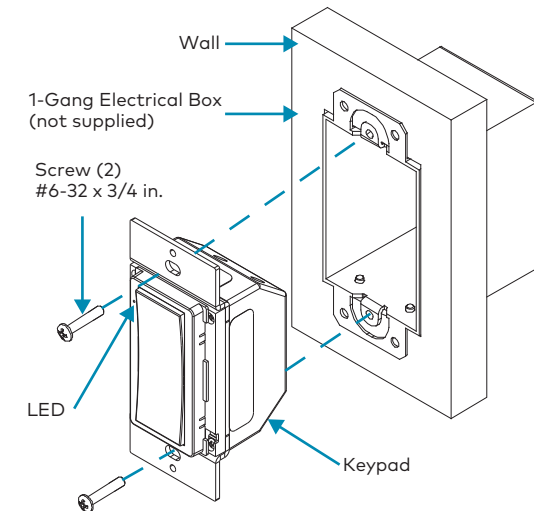
- If necessary, wire additional keypads in parallel.
- When wiring the keypad, pay close attention to the zone that the keypad controls. A sticker on the front of the keypad indicates the zone that it controls.



2. Place the keypad into the electrical box. Ensure that the keypad is oriented properly with the LED on the left side.

CAUTION: Excess wire pinched between the keypad and electrical box can short out. Make sure all excess wire is completely inside the electrical box and not between the box and the keypad.

3. Attach the keypad to the electrical box using the included #6-32 x 3/4 in. screws.



4. Attach a decorator style faceplate (not supplied).

Default Button Functions

The GLPPA-KP, GLPPA-KP1, GLPPA-KP2, GLPPA-KP3, and GLPPA-KP4 perform specific actions based on the system configuration. The keypads use tap, double-tap, and hold functionality to recall and toggle scenes on the GLPP.

Scene settings are determined by the GLPP. For default scene levels and to create custom scenes, refer to the GLPP installation guides at www.crestron.com/manuals.

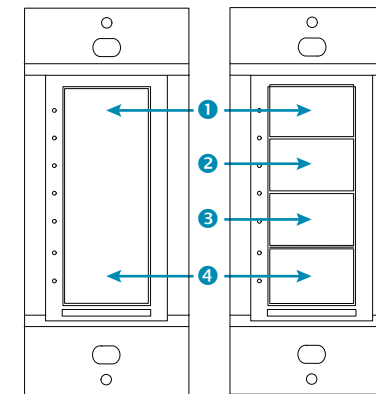
Button press types.

- Tap - any press on the button that is less than 1/2-second
- Double-tap - two presses on the button within 1/2-second
- Hold - a press of the button that lasts for more than 1/2-second

NOTE: GLPP-SW units do not have double-tap or hold functionality. GLPP-SW units toggle the loads with no fade time.

GLPPA-KP Button Functions

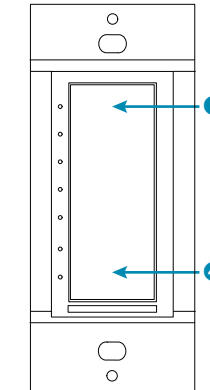
The button(s) on the GLPPA-KP perform the following actions.



BUTTON LABEL	BUTTON PRESS	DESCRIPTION
1	Tap	Recalls scene 1 with the programmed fade time. Daylighting is enabled.
	Double-tap	Recalls scene 1 with no fade time. Daylighting is not enabled.
	Hold	Master raise all zones.
2	Tap	Recalls scene 2 with the programmed fade time.
	Double-tap	Recalls scene 2 with no fade time.
	Hold	N/A
3	Tap	Recalls scene 3 with the programmed fade time.
	Double-tap	Recalls scene 2 with no fade time.
	Hold	N/A
4	Tap	Turns all zones off with the programmed fade time.
	Double-tap	Turns all zones off with no fade time.
	Hold	Master lower all zones.

GLPPA-KP1, GLPPA-KP2, GLPPA-KP3 Button Functions

The button(s) on the GLPPA-KP1, GLPPA-KP2, and GLPPA-KP3 perform the following actions.

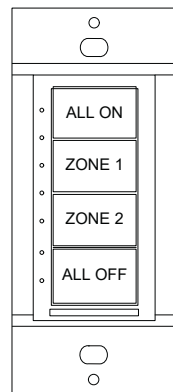


BUTTON LABEL	BUTTON PRESS	DESCRIPTION
1	Tap	Recalls scene 1 for the zone (enables daylighting for open loop only)
	Double-tap	Recalls scene 1 for the zone with no fade time. Daylighting is not enabled.
	Hold	Raise the zone.
4	Tap	Turns the zone off with the programmed fade time.
	Double-tap	Turns the zone off with no fade time.
	Hold	Lower the zone.



GLPPA-KP4 Button Functions (2-Zone GLPP)

The buttons on the GLPPA-KP4 perform the following actions when connected to a 2-zone GLPP.

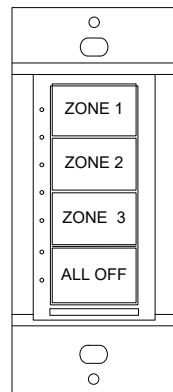


BUTTON LABEL	BUTTON PRESS	DESCRIPTION
ALL ON	Tap	Recalls scene 1 on zone 1 and zone 2 with the programmed fade time. Daylighting is enabled.
	Hold	Raises all zones.
ZONE 1 and ZONE 2	Tap	Toggles the associated zone. NOTE: The lights turn on to scene 1 levels with daylighting enabled.
	Hold	Cycle-dims the zone.
ALL OFF	Tap	Turns all zones off.
	Hold	Lowers all zones.

NOTE: The GLPPA-KP4 has no double-tap functionality.

GLPPA-KP4 Button Functions (3-Zone GLPP)

The buttons on the GLPPA-KP4 perform the following actions when connected to a 3-zone GLPP.



BUTTON LABEL	BUTTON PRESS	DESCRIPTION
ZONE 1, ZONE 2, and ZONE 3	Tap	Toggles the associated zone. NOTE: The lights turn on to scene 1 levels with daylighting enabled.
	Hold	Cycle-dims the zone.
ALL OFF	Tap	Turns all zones off.
	Hold	Lowers all zones.

NOTE: The GLPPA-KP4 has no double-tap functionality.

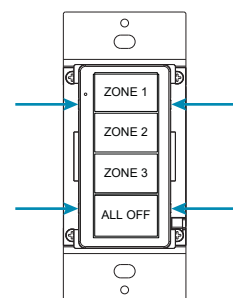
Replace the Buttons

Replace the GLPPA-KP4 Buttons

To use the GLPPA-KP4 with a 2-zone GLPP, the ZONE 3 button must be removed and the ALL ON button must be added to the button and bezel assembly.

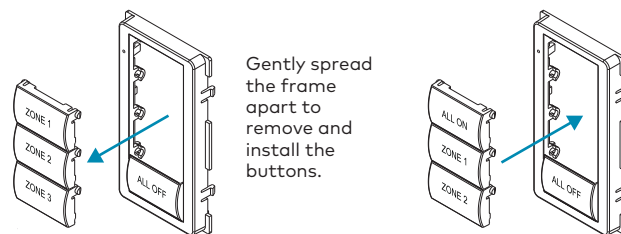
To replace the buttons:

1. Squeeze the sides of the bezel near the bezel snaps and remove the button and bezel assembly.

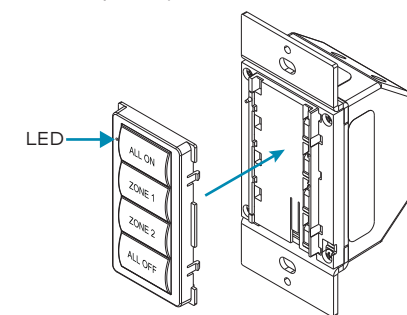


Squeeze at arrow points and pull to remove the button assembly.

2. Remove the ZONE 1, ZONE 2, and ZONE 3 buttons from the bezel.
3. Place the ALL ON button into the top position in the bezel.
4. Place the ZONE 1 button into the second position in the bezel.
5. Place the ZONE 2 button into the third position in the bezel.



6. Align the button and bezel assembly with the bezel snaps and ensure that the LED is on the left side. Press the button and bezel assembly into place.

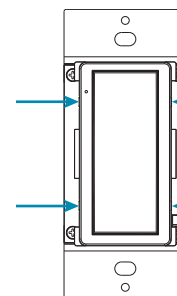


Replace the GLPPA-KP Button

To use the GLPPA-KP with the ALL ON, SCENE 1, SCENE 2, and ALL OFF buttons instead of the rocker button, remove the button and bezel assembly that contains the rocker button and then install the button and bezel assembly that contains the ALL ON, SCENE 1, SCENE 2, and ALL OFF buttons.

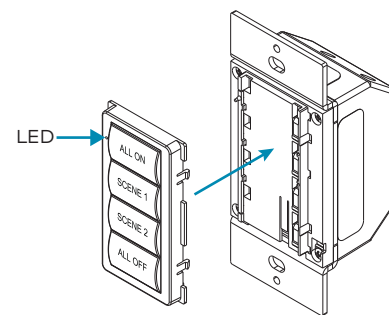
To replace the button and bezel assembly:

1. Squeeze the sides of the bezel near the bezel snaps and remove the button and bezel assembly.



Squeeze at arrow points and pull to remove the button assembly.

2. Align the replacement button and bezel assembly with the bezel snaps and ensure that the LED is on the left side. Press the button and bezel assembly into place.

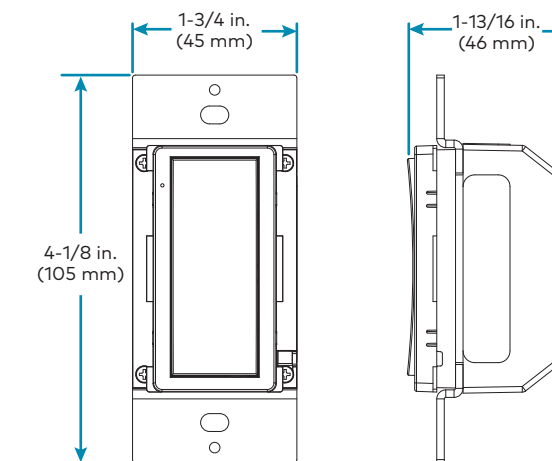


Technical Specifications

Refer to the GLPPA-KP, GLPPA-KP1, GLPPA-KP2, GLPPA-KP3, and GLPPA-KP4 product pages at www.crestron.com for a complete list of product specifications.

SPECIFICATION	DETAILS
Power Requirements	1 W (0.05 A @ 24 VDC) supplied by GLPP over proprietary 2-wire bus
Environmental	
Temperature	32° to 113 °F (0° to 45 °C)
Humidity	10% to 90% RH (noncondensing)
Enclosure	Plastic, 1-gang mountable in a standard electrical box; Requires decorator style faceplate (not included)
Dimensions	
Height	4-1/8 in. (105 mm)
Width	1-3/4 in. (45 mm)
Depth	1-13/16 in. (46 mm)
Weight	4 oz (103 g)

Dimensions



Additional Information

Scan or click the QR code for detailed product information.



GLPPA-KP



GLPPA-KP1



GLPPA-KP2



GLPPA-KP3



GLPPA-KP4

Compliance and Legal

Original Instructions: The U.S. English version of this document is the original instructions. All other languages are a translation of the original instructions.

This product is Listed to applicable UL® Standards and requirements tested by Underwriters Laboratories Inc.

Ce produit est homologué selon les normes et les exigences UL applicables par Underwriters Laboratories Inc.



The product warranty can be found at www.crestron.com/warranty.

The specific patents that cover Crestron products are listed at www.crestron.com/legal/patents.

Certain Crestron products contain open source software. For specific information, please visit www.crestron.com/opensource.

Crestron, the Crestron logo, and Crestron Green Light are either trademarks or registered trademarks of Crestron Electronics, Inc. in the United States and/or other countries. UL and the UL logo are either trademarks or registered trademarks of Underwriters Laboratories, Inc. in the United States and/or other countries. Other trademarks, registered trademarks, and trade names may be used in this document to refer to either the entities claiming the marks and names or their products. Crestron disclaims any proprietary interest in the marks and names of others. Crestron is not responsible for errors in typography or photography.

©2019 Crestron Electronics, Inc.

Crestron Electronics, Inc.
15 Volvo Drive, Rockleigh, NJ 07647
Tel: 888.CRESTRON
Fax: 201.767.7576
www.crestron.com

Quick Start - Doc. 7211F
(2053622)
03.19

Specifications subject to change without notice.