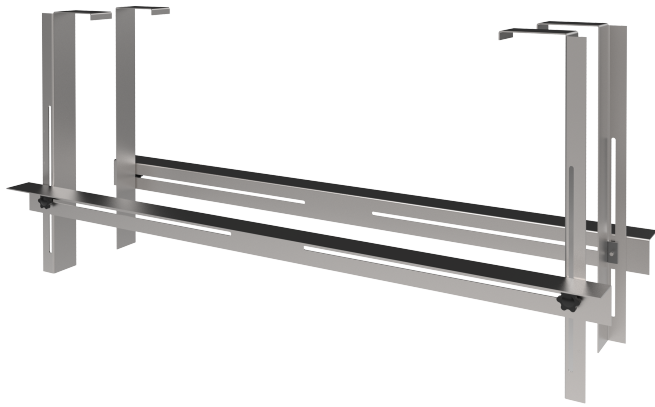


SPKA-IC3-SA-MNT-TOOL

Mounting Tool for Ultimate 3 in. All Weather In-Ceiling Speaker



The [SPKA-IC3-SA-MNT-TOOL](#) made by Origin Acoustics is a reusable tool consisting of two adjustable, formed steel brackets designed to simplify installation of the [ULTIMATE IC3-AW-SA-BOX-WOOFER-W-T-EACH](#).

During installation, the tool is used to span the space between ceiling joists and provide a temporary platform on which to rest the woofer back box. Once the back box is secured to the joists, the tool can be removed and reused for future installations.

Each bracket is collapsible to allow for more space-efficient storage, and is adjustable up to 33.25 in. (from outside edge to outside edge). Each bracket also has reversible hangers to span ceiling joist spacings up to 24 in. with the hangers in either orientation.

Specifications

Construction

Formed steel

Dimensions

Height	14.17 in. (360 mm)
Width	Adjustable up to 33.25 in. (845 mm)
Depth	3.16 in. (81 mm)

Weight

5.4 lb (2.4 kg)

Model

SPKA-IC3-SA-MNT-TOOL

Mounting Tool for Ultimate 3 in. All Weather In-Ceiling Speaker

This product may be purchased from select authorized Crestron dealers and distributors. To find a dealer or distributor, please contact the Crestron sales representative for your area. A list of sales representatives is available online at www.crestron.com/How-To-Buy/Find-a-Representative or contact us for additional information by visiting www.crestron.com/contact/our-locations for your local contact.

The original language version of this document is U.S. English. All other languages are a translation of the original document.

The product warranty can be found at www.crestron.com/warranty.

The specific patents that cover Crestron products are listed online at www.crestron.com/legal/patents.

Certain Crestron products contain open source software. For specific information, please visit www.crestron.com/opensource.

Crestron and the Crestron logo are either trademarks or registered trademarks of Crestron Electronics, Inc. in the United States and/or other countries. Origin Acoustics is either a trademark or a registered trademark of Origin Acoustics, Inc. in the United States and/or other countries. Other trademarks, registered trademarks, and trade names may be used in this document to refer to either the entities claiming the marks and names or their products. Crestron disclaims any proprietary interest in the marks and names of others. Crestron is not responsible for errors in typography or photography.

Specifications are subject to change without notice.

©2023 Crestron Electronics, Inc.

Rev 06/20/23

SPKA-IC3-SA-MNT-TOOL

Mounting Tool for Ultimate 3 in. All Weather In-Ceiling Speaker

