

Crestron Flex R-Series Mobile UC Systems

The Crestron Flex R-Series mobile UC system packages Crestron® unified communications components with a wheeled cart for convenient collaboration.

This document describes the installation and configuration of the following R-Series mobile UC systems:

- UC-FCMX-T: Crestron Flex R-Series Plus Mobile UC System with BYOD Support for Microsoft Teams® Rooms
- UC-FCMX-Z: Crestron Flex R-Series Plus Mobile UC System with BYOD Support for Zoom Rooms™ Software



In the Box

- 1 UC-FCMX, Crestron Flex R-Series Plus Mobile UC System

Additional Items

- 1 Wheeled Cart (2056409)
- 1 Power extension cord, 6 ft (1.8 m) (2055992)
- 1 CCS-UC-1-X-T-V, Crestron Mercury® X Tabletop Conference System (65106106511747)
- 1 CCS-CAM-USB-F-400, Huddly IQ™ Collaboration Camera (6510482)
- 2 CBL-CAT5E-7, CAT5e cable, RJ-45-to-RJ-45, Black, 7 ft (2.1 m) (6509924)
- 1 CBL-HD-20, HDMI® cable, 20 ft (6.1 m) (6503567)
- 1 CBL-HD-THIN-HS-6, Thin HDMI® cable, 6 ft (1.8 m) (6510946)
- 1 CBL-USB-A-BMICRO-6, USB 2.0 A - Micro-B, 6 ft (1.8 m) (6510947)
- 1 CBL-USB-A-EXT-15, USB Extension Cable, Type A Male-to-Female, 15 ft (4.6 m) (6508260)

- 1 CBL-USBC-HD-9, USB-C® to HDMI cable, 9 ft (2.7 m) (6510718)
- 1 CBL-USBC-USBA-6, USB-C right-angle to USB A cable, 6 ft (1.8 m)
- 1 CEN-SW-POE-5, 5-Port PoE Switch (6506450)
- 1 DM-CBL-ULTRA-PC-20, DigitalMedia™ Ultra Patch cable (CAT6), 20 ft (6.1 m) (6507640)
- 1 PW-2420RU, Power Supply (6500187)

UC-FCMX-T Only

- 1 UC-BRKT-250-P-T-ASSY, UC Engine Bracket Assembly (6511476)

UC-FCMX-Z Only

- 1 UC-BRKT-250-P-Z-ASSY, UC Engine Bracket Assembly (6511477)

NOTE: For a list of items included with each component device, refer to each device's Quick Start at crestron.com/manuals.

Crestron Flex R-Series Mobile UC Systems



Assemble Mounting Components

In R-Series mobile UC systems, some component mounting is required. A device mounting shelf for the included Crestron Mercury device is premounted to the front of the cart. A UC bracket assembly, PoE switch, power supply, power strip, retractable power cable, and retractable Ethernet cable are premounted to the cart's interior for convenience.

Attach the Display Mounting Bracket Arms

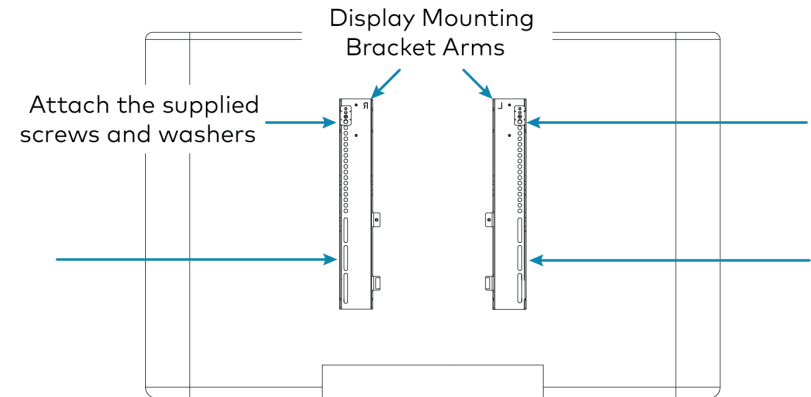
Prior to mounting the display (not included) to the cart, the display mounting bracket arms must be attached to the display.

To attach the display mounting bracket arms:

1. Set the display on a flat surface with the screen side down. Ensure that the surface is protected so that the screen is not damaged.
2. Align the mounting holes on the left and right edges of the display mounting bracket arms over the mounting holes on the rear of the display.

3. Follow the display manufacturer's instructions to attach the display to the display mounting bracket arms using the supplied screws and washers.

NOTE: Screw placement may differ from the following image based on the location of the display's mounting holes.



Crestron Flex R-Series Mobile UC Systems



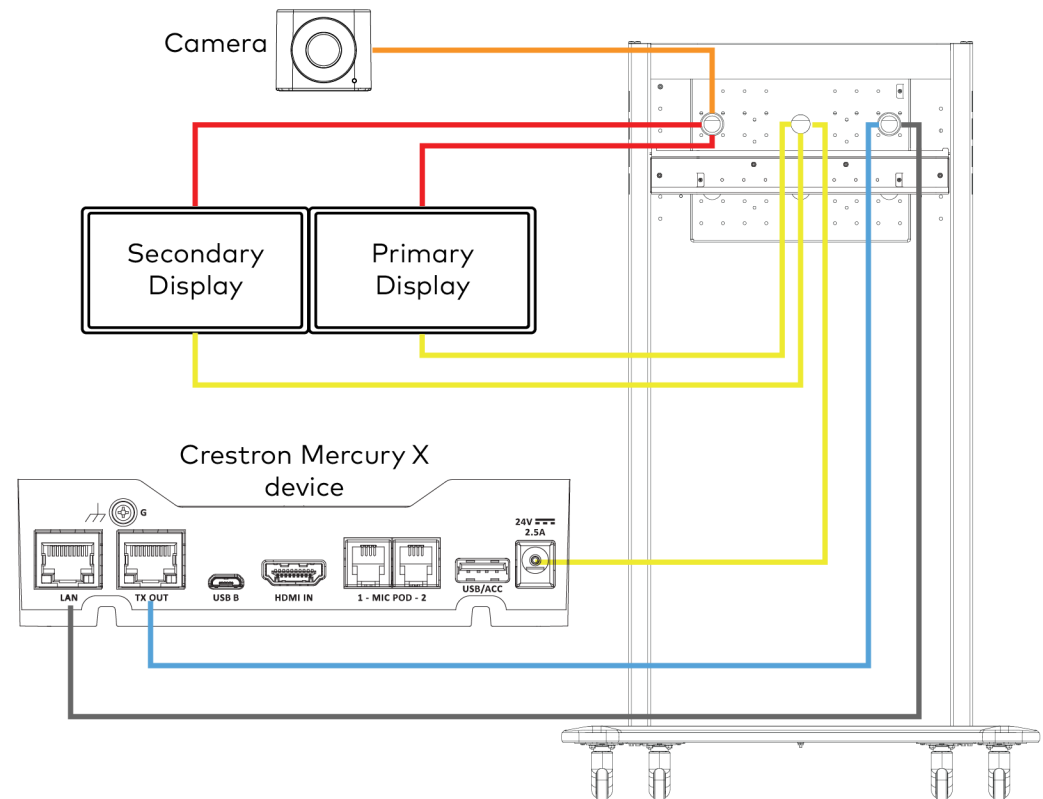
Make Connections

To connect the system components:

1. Connect system components to the preinstalled cables. Connect the display power cord to the power strip inside of the bottom rear of the cart. Make the HDMI connection for the secondary display using the 20 ft HDMI cable (CBL-HD-20) preattached to the UC Engine assembly and coiled inside of the cart.

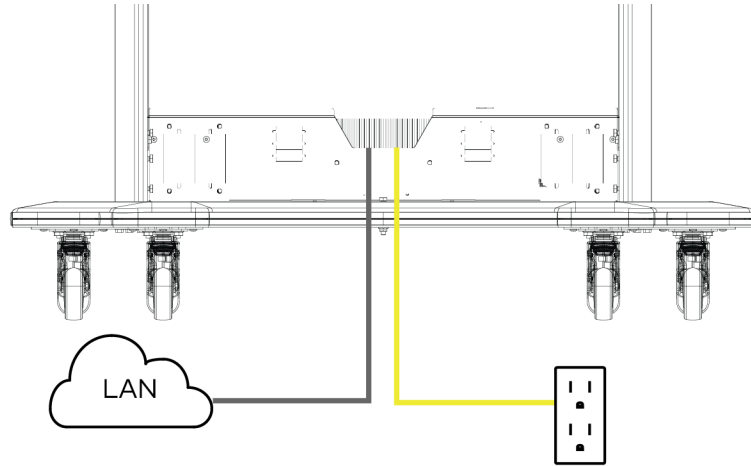
NOTE: If the display's power cord does not reach the integrated power strip, use the included 6 ft extension cord.

- **HDMI**
 9 ft USB-C® to HDMI® cable for primary display (preinstalled, CBL-USBC-HD-9)
 20 ft HDMI cable for secondary display (preinstalled, CBL-HD-20)
- **USB**
 Camera (cable preinstalled, CCS-CAM-USB-F-400)
- **CAT6**
 20 ft CAT6 cable (preinstalled, DM-CBL-ULTRA-PC-20)
- **CAT5e**
 12 ft CAT5e cable (preinstalled)
- **Power**
 Display power cord (x2, not included)
 Crestron Mercury device power cord (preinstalled to integrated power supply, PW-2420RU)



Crestron Flex R-Series Mobile UC Systems

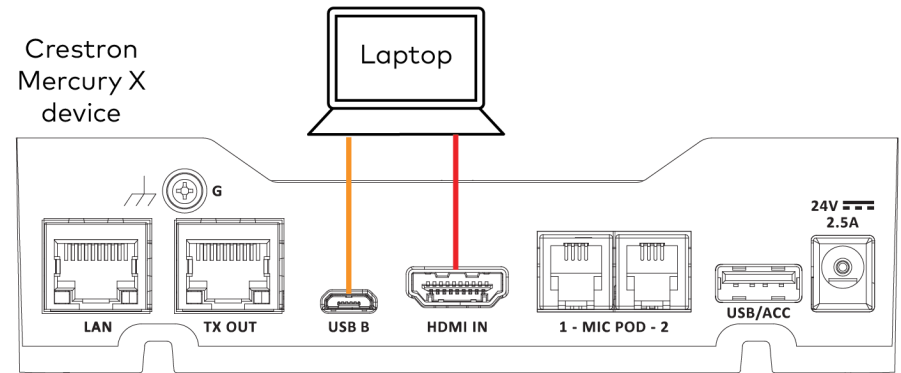
2. Make LAN and power connections from the bottom rear of the cart as shown below using the integrated retractable cables.



● **CAT5e**
Integrated retractable cable

● **Power**
Integrated retractable cable

3. Make device presentation connections as shown in the following diagram.



● **HDMI**
6 ft HDMI cable (CBL-HD-THIN-HS-6)

● **USB**
6 ft USB Type A to B cable (CBL-USB-A-BMICRO-6)



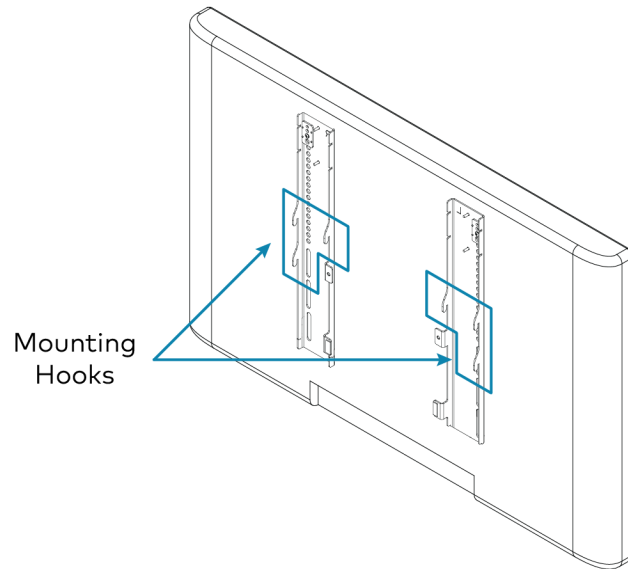
Complete the Installation

Mount the Display

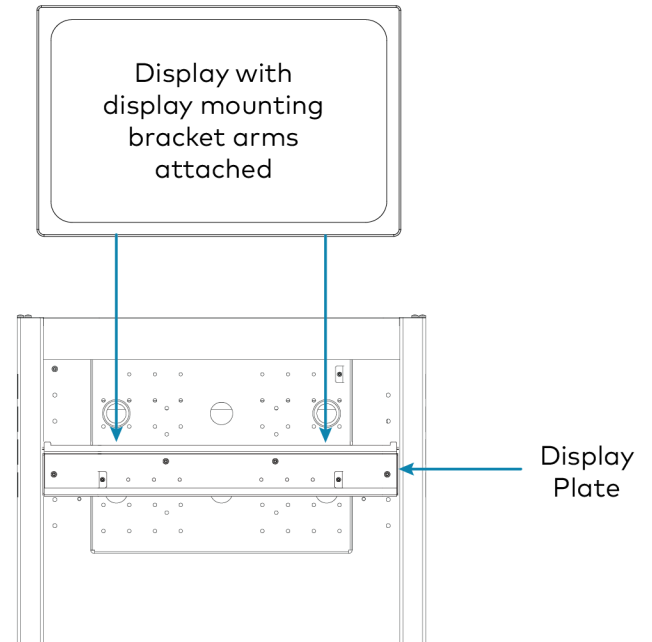
CAUTION: For safety, Crestron recommends that no fewer than two people mount the display.

Mount the display mounting bracket arms with the attached display by sliding the mounting hooks over the display plate. Ensure that the display mounting bracket arms and the display are secure before stepping away from the cart.

Mounting Hooks



Slide the mounting hooks over the display plate

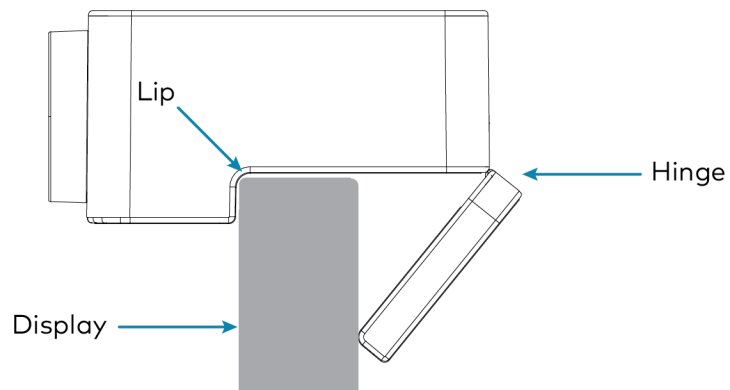


Crestron Flex R-Series Mobile UC Systems

Mount the Camera

To mount the Huddly IQ camera:

1. Open the hinge on the bottom of the camera.
2. Set the camera atop the display and hook the lip to the front edge of the display.
3. Adjust the hinge until the camera sits atop the display.

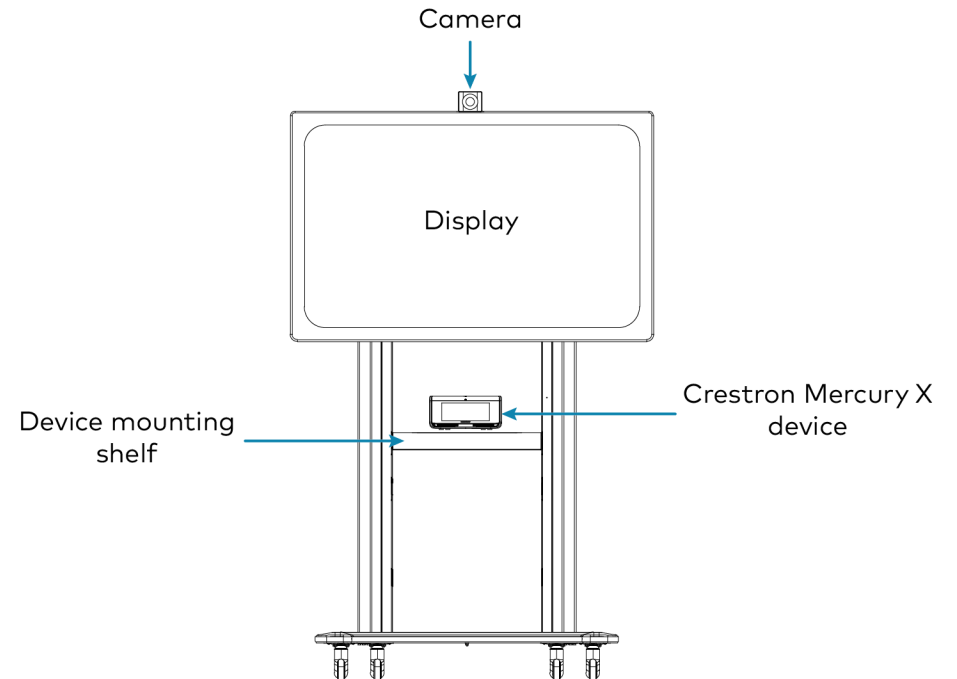


Mount the Crestron Mercury Device

To mount the Crestron Mercury device, place the device on the preinstalled device mounting shelf.

Completed Installation

Once complete, the installation will appear as shown below.



Crestron Flex R-Series Mobile UC Systems



Configuration

Microsoft Teams Devices

To configure the R-Series mobile UC system that utilizes Microsoft Teams software (UC-FCMX-T), refer to the instructions below.

Apply Power

Press the power button on the bottom of the UC Engine (attached to the UC bracket assembly) and apply power to all of the other devices in the system.

Configure the Crestron Mercury X Device

To configure the Crestron Mercury Device:

1. Tap **Teams Video** and then tap **OK**. The device will reboot.
2. On a computer, open a web browser to the IP address displayed on the Crestron Mercury X device to configure the device to operate in Teams Video mode.

NOTES:

- The Crestron Mercury device and computer must be on the same network switch and VLAN.
- A login with administrative rights for the Crestron Mercury device is required.

3. Log in to the Crestron Mercury device and navigate to **DEVICE > Applications**.

4. Enter the following information in the appropriate fields:

- **Teams Video PC Address:** Enter the IP address or hostname of the UC Engine.

NOTES:

- The UC Engine's IP address can be found using the device discovery tool in Crestron Toolbox™ software.
- The hostname is printed on a label affixed to the UC Engine (mounted on the bracket assembly). To view the label, open the cart's rear door and locate the UC Engine preattached near the top of the cart's interior.

- **Teams Video PC Port:** By default, port number 49500 is used. If a different port number has been configured on the UC Engine, enter that port number instead.
- **Teams Video Username:** Enter the login username for the UC Engine. (The default username is "admin".)
- **Teams Video Password:** Enter the login password for the UC Engine. (The default password is "sfb".)

5. Click **Save Changes**.

For more information, refer to the [CCS-UC-1 Product Manual](#) (Doc. 7844).

Configure the System

Use the Crestron Mercury device and your Microsoft Teams or Skype® account credentials to configure the UC Engine. Refer to the [Crestron Flex UC Video Conference Systems Supplemental Guide](#) (Doc. 8360).

Crestron Flex R-Series Mobile UC Systems

Zoom Rooms Devices

To configure the R-Series mobile UC system that utilizes Zoom Rooms software (UC-FCMX-Z), refer to the instructions below.

Apply Power

Press the power button on the bottom of the UC Engine (attached to the UC bracket assembly) and apply power to all of the other devices in the system. The connected display device will show a pairing code.

Remove the USB memory drive (CCS-UCA-MEM-USB) from the Crestron Mercury device. The USB memory drive does not need to be reconnected once the device has been powered on. Store the USB memory drive in the event that it is needed for future troubleshooting.

Log In to the Zoom Rooms Service

Use the Crestron Mercury X device to sign in to the Zoom Rooms service using an activation code or a Zoom Room Sign-In.

1. Tap **Zoom** and then tap **OK**. The device will reboot.
2. Enter the pairing code shown on the display to pair the Crestron Mercury device with the UC Engine. The Zoom Rooms controller app is displayed.
3. Log in to the Zoom Rooms service with an activation code or Zoom Rooms Credentials (email and password).
 - **Activation Code:**
 - a. Tap **Enter Activation Code**.
 - b. Enter the 16-digit activation code provided by the administrator to activate the Zoom Rooms room that is assigned to the activation code. The Zoom Rooms Conference Room screen is shown on the display.

- **Sign In:**
 - a. Tap **Sign In**.
 - b. Enter the Zoom Room credentials and tap **Sign In**.
 - c. Select the conference room name from the list and tap **Next**. The Zoom Rooms Conference Room screen is shown on the display.
- 4. Tap **Settings**. If a password is required, enter the password (default is **0000**). The **Settings** screen is displayed.
- 5. Tap **Microphone** and select the **Crestron Mercury** device as the source.
- 6. Tap **Speaker** and select the **Crestron Mercury** device as the source.
- 7. Tap **Meet Now** to exit.

Configure the System

Connect a USB keyboard and mouse (not included) to a USB port on the UC Engine to configure system features. Refer to the [Crestron Flex UC Video Conference Systems Supplemental Guide](#) (Doc. 8360).

Crestron Flex R-Series Mobile UC Systems



Visit the Product Page

Scan the QR code to visit the product page.

UC-FCMX-T



www.crestron.com/model/6511562

UC-FCMX-Z



www.crestron.com/model/6511563

Additional Information

Original Instructions

The U.S. English version of this document is the original instructions. All other languages are a translation of the original instructions.

Crestron product development software is licensed to Crestron dealers and Crestron Service Providers (CSPs) under a limited nonexclusive, nontransferable Software Development Tools License Agreement. Crestron product operating system software is licensed to Crestron dealers, CSPs, and end-users under a separate End-User License Agreement. Both of these Agreements can be found on the Crestron website at www.crestron.com/legal/software_license_agreement.

The product warranty can be found at www.crestron.com/warranty.

The specific patents that cover Crestron products are listed at www.crestron.com/legal/patents.

Certain Crestron products contain open source software. For specific information, visit www.crestron.com/opensource.

Crestron, the Crestron logo, Crestron Mercury, Crestron Toolbox, and DigitalMedia are either trademarks or registered trademarks of Crestron Electronics, Inc. in the United States and/or other countries. HDMI is either a trademark or registered trademark of HDMI Licensing LLC in the United States and/or other countries. Huddly IQ is either a trademark or registered trademark of Huddly AS in the United States and/or other countries. Microsoft Teams and Skype are either trademarks or registered trademarks of Microsoft Corporation in the United States and/or other countries. USB-C is either a trademark or registered trademark of USB Implementers Forum, Inc. in the United States and/or other countries. Zoom Rooms is either a trademark or registered trademark of Zoom Video Communications, Inc. in the United States and/or other countries. Other trademarks, registered trademarks, and trade names may be used in this document to refer to either the entities claiming the marks and names or their products. Crestron disclaims any proprietary interest in the marks and names of others. Crestron is not responsible for errors in typography or photography.

©2021 Crestron Electronics, Inc.

Doc. 8780B

09/26/21