

Crestron **PMK-V12**
Pre-Construction Mounting Kit

Installation Guide



This document was prepared and written by the Technical Documentation department at:



Crestron Electronics, Inc.
15 Volvo Drive
Rockleigh, NJ 07647
1-888-CRESTRON

Industry Compliance

As of the date of manufacture, the PMK-V12 has been tested and found to comply with specifications for CE marking and standards per EMC and Radiocommunications Compliance Labelling.



Contents

Pre-Construction Mounting Kit: PMK-V12	1
Description.....	1
Setup.....	4
Supplied Hardware.....	4
Mounting.....	4
Touchpanel Installation.....	7
Other Mounting Option Accessories.....	8
Resources.....	9
Reference Documents.....	9
Further Inquiries.....	9
Future Updates.....	9
Return and Warranty Policies.....	10
Merchandise Returns / Repair Service.....	10
CRESTRON Limited Warranty.....	10

Pre-Construction Mounting Kit: PMK-V12

Description

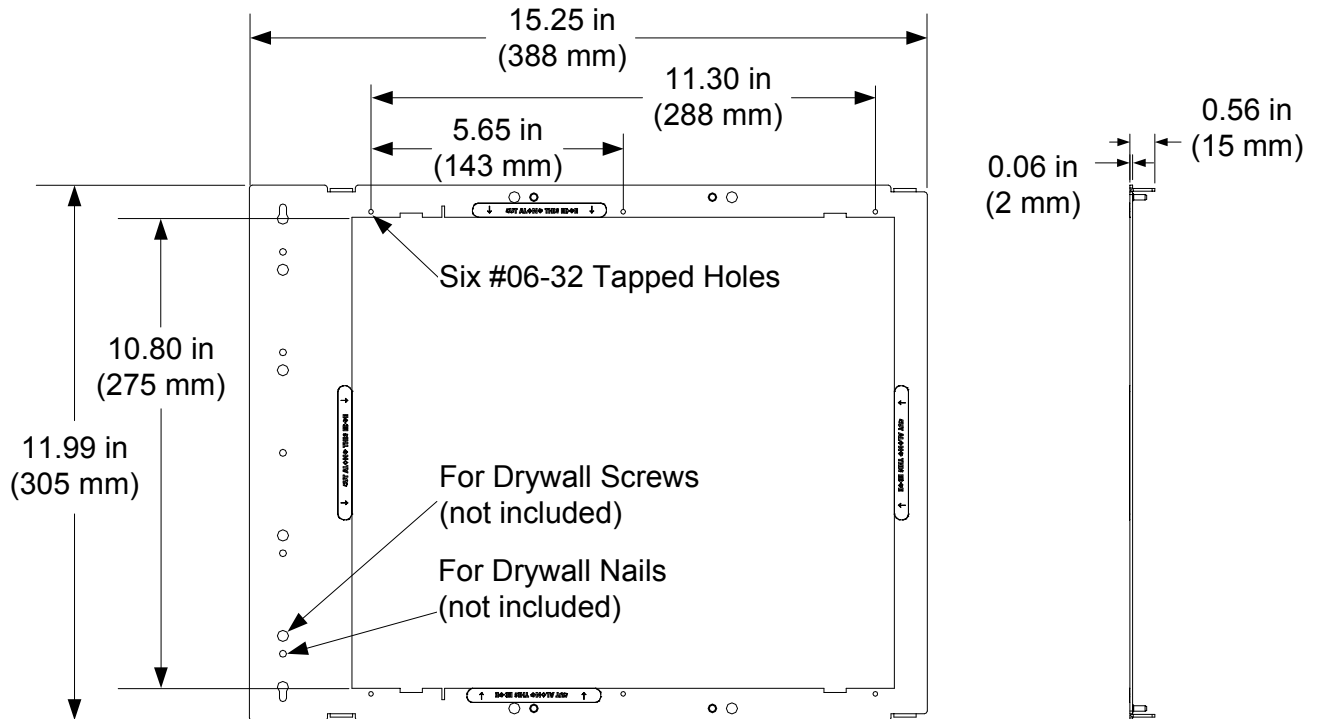
The PMK-V12 mounting kit provides a simple solution for installing the V12-WALL V-Panel 12” Wall Mount Touchpanel display. It is also compatible with the WMKC-V12 Wall Mount Conversion Kit. Designed for pre-construction applications, the PMK-V12 fastens to the stud of a framed wall prior to installation of drywall. A blank cover plate is included to provide a temporary cover for the opening during construction.

For custom touchpanel placement in a lectern, podium or similar surface, use the WMKT-V12 or WMKM-V12. The PMK-V12 includes a 12-inch long, 18 AWG jumper wire to secure touchpanel cabling prior to drywall installation and to avoid damaging the cables when the opening is routed.

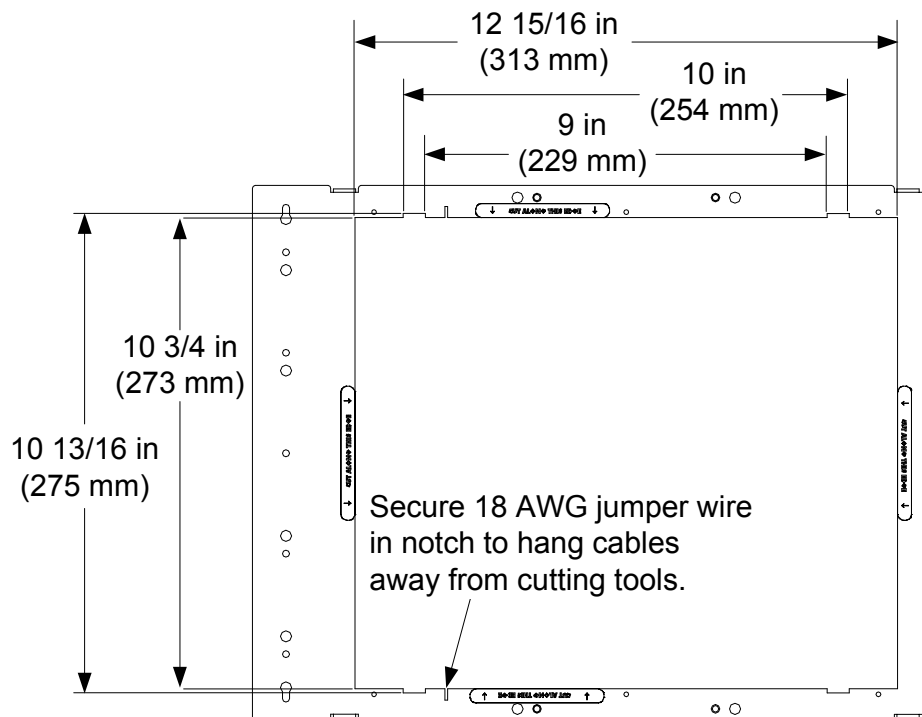
NOTE: This mounting kit is to be used only with the V12-WALL or WMKC-V12 wall mount touchpanels.

The dimensions of the PMK-V12 are shown below.

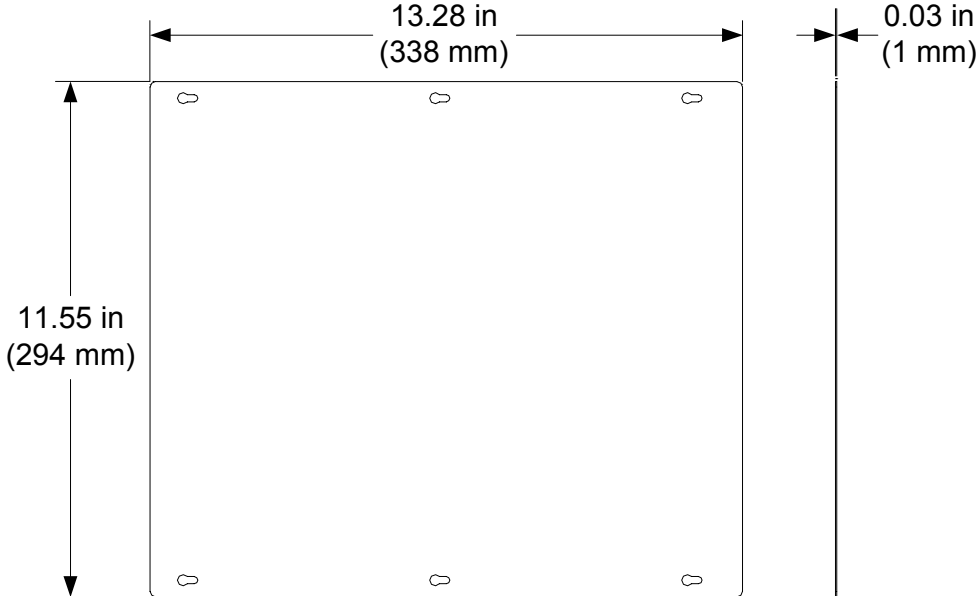
Overall Dimensions (1 of 2)



Overall Dimensions (2 of 2)



Overall Dimensions (Cover Plate)



Setup

Supplied Hardware

The hardware supplied with the PMK-V12 is listed in the following table.

Supplied Hardware for the PMK-V12

DESCRIPTION	PART NUMBER	QUANTITY
Metal, Plate, Pre-Construction	4508671	1
Metal, Plate, Cover	2024534	1
Screw, #06-32 x 1 1/2", Pan, Phil	2007254	6
Jumper wire, 12", 18 AWG, Black	2007838	1

Mounting

The PMK-V12 consists of a single metal plate, which fastens to the studs of a framed wall prior to hanging drywall. Standard drywall nails or screws (length can vary) to attach the PMK-V12 and appropriate framing materials are not supplied.

The plate is designed to provide the necessary support for a single touchpanel. Confirm that the PMK-V12 is level before applying drywall.

Required Tools and Materials:

- #2 Phillips tip screwdriver or hammer
- Level
- Standard drywall screws or nails (not included)

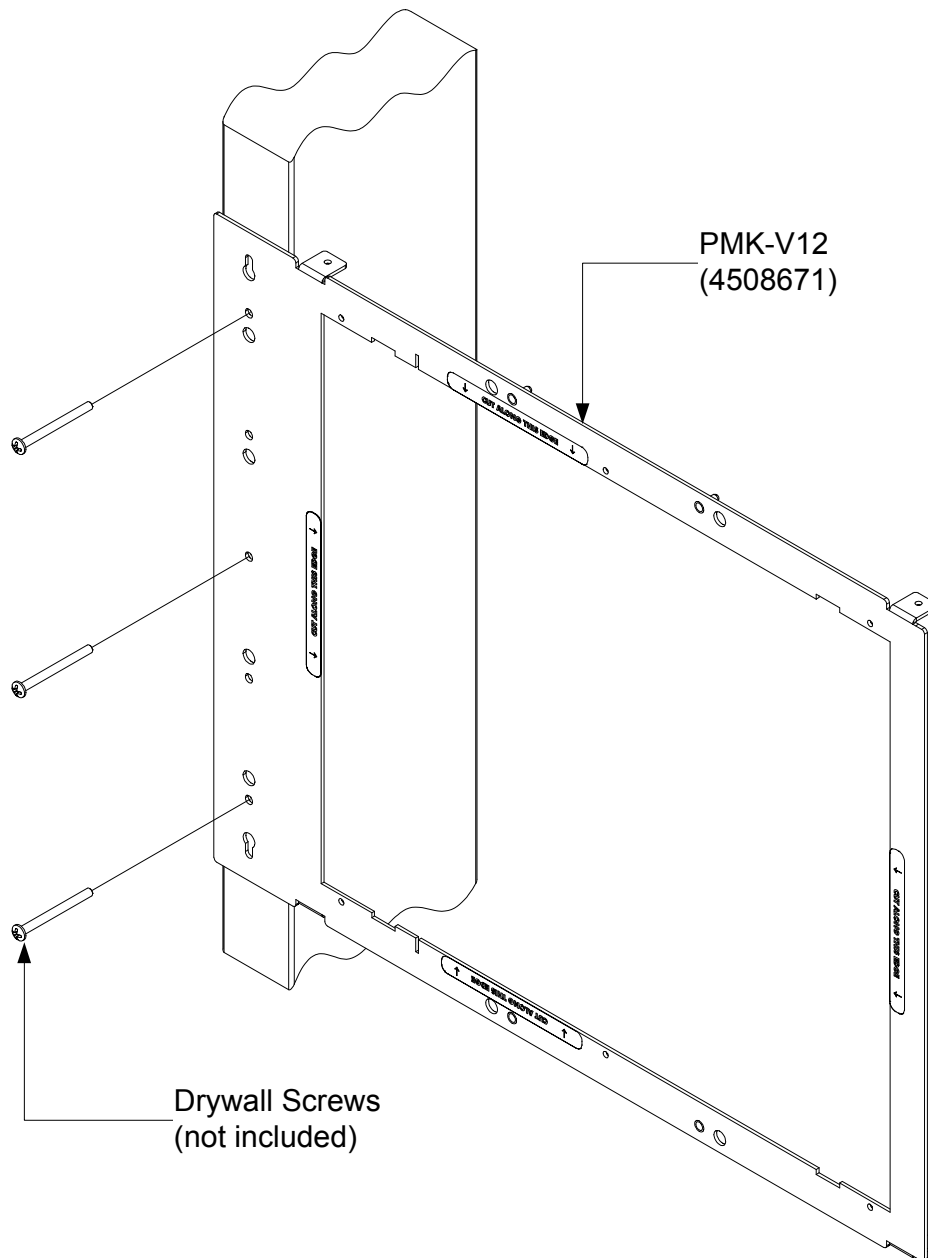
CAUTION: Allow an air gap of at least 12 inches (305 mm) in the wall cavity above and below the touchpanel for heat dissipation.

NOTE: If your installation is not on wooden studs, be sure to consider the needs of your particular situation. For example, screw type may vary for steel studs, etc.

NOTE: The PMK-V12 has been optimized for mounting in 5/8" (15 mm) drywall. You may use 1/2" – 1" (12.5 – 25 mm) without issue. Thinner or thicker drywall will cause issues with the installation.

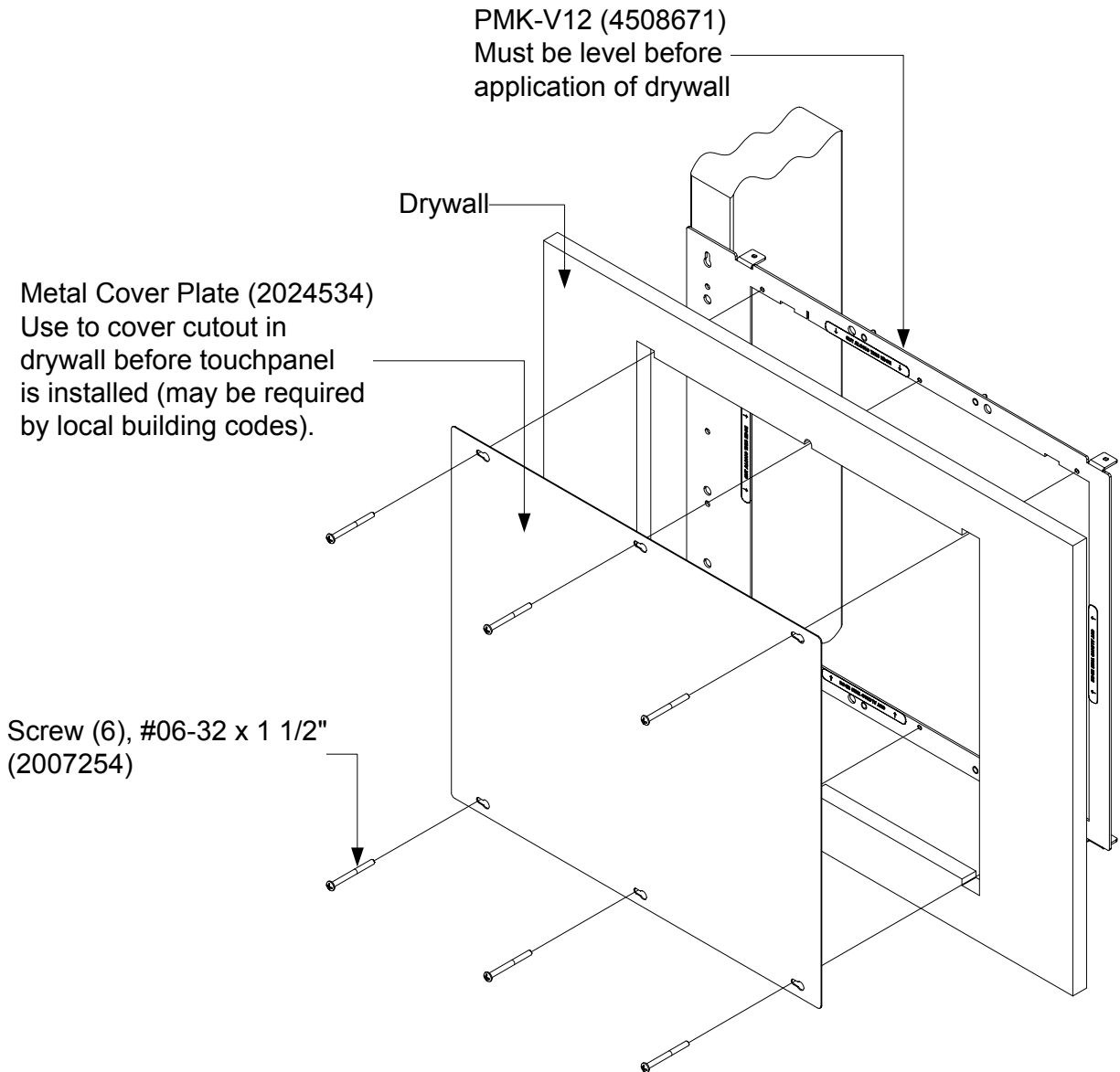
Complete the following procedure to mount the PMK-V12.

1. Using the level, attach the PMK-V12 to the left or right side of the stud using drywall screws or nails (not included). If mounting to the left side of a stud, the PMK-V12 must be turned over so the extended edge of the attached mounting plate is on the right side. Make sure that the mounting kit is attached to the center of the stud. Refer to the image on page 5 for visual guidance.

Mounting the PMK-V12

2. Note the position of the PMK-V12 and hang drywall over the plate. The opening for the touchpanel is to be made after the drywall is hung.
3. After drywall is positioned, a rectangular opening must be made. Position the opening to expose the #06-32 tapped holes along the top and bottom of the plate.

NOTE: Cut the drywall along the inside edge of the front of the mounting plate. The labels on the front of the mounting plate indicate the perimeter of the opening that should be cut out. Refer to the **NOTE** in the illustration above.

Mounted View with Cover Plate

NOTE: Mounting plate is to be covered with drywall and then the cutout made around the inside of the opening.

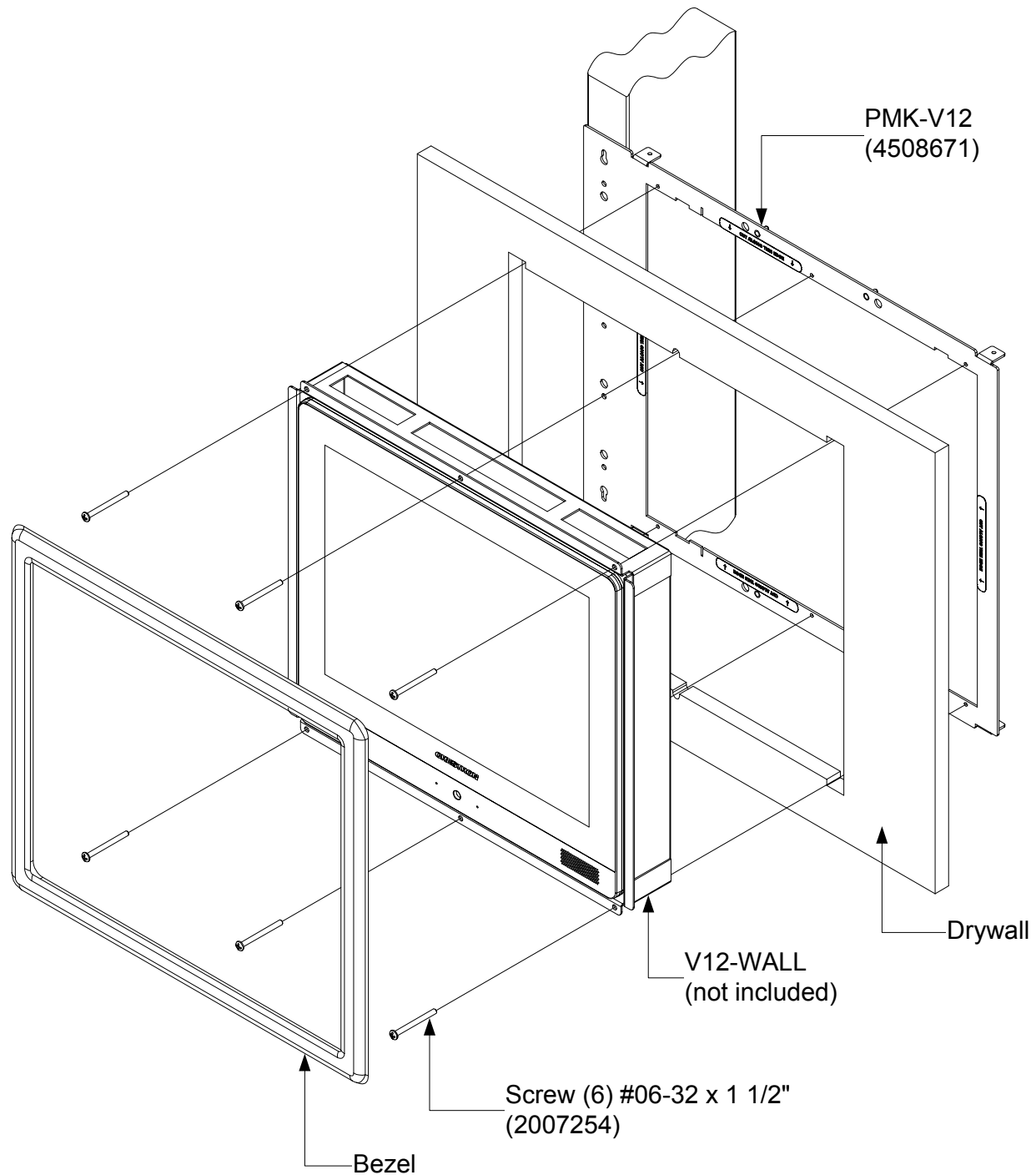
NOTE: Be sure to leave the six tapped holes on the front of the mounting plate exposed to accept the mounting screws.

NOTE: The six tapped holes on the front of the mounting plate must be exposed to accept the touchpanel mounting screws. These holes are found beneath the drywall along the top and bottom of the opening made by cutting out the drywall. Refer to the **NOTE** in the illustration above.

Touchpanel Installation

Complete the installation by either installing the touchpanel, leaving the hole open (if permitted by local building codes) or installing the optional cover plate with the included #06-32 x 1 1/2" screws. If the touchpanel is to be installed, refer to the latest version of the V12-WALL and WMKC-V12 Installation Guide (Doc. 6893) for installation instructions. This document is available from the Crestron website (www.crestron.com/manuals). Refer also to the comprehensive illustration below.

V12-WALL Mounting (Exploded View)



Other Mounting Option Accessories

If too much of the mounting plate is exposed after the drywall is cut, you may need to patch the area. Crestron provides the following accessories:

- MMK-V12 (Doc. 6892) - for larger repairs and to fill in larger irregularities around the opening (requires plastering).
- WMKT-V12 (Doc. 6813) – for smaller repairs and to provide a smooth edge at the opening. This option provides a finished appearance and is preferred when wallpaper is hung.

The manuals for the MMK-V12 and WMKT-V12 are available from the Crestron website.

Resources

Reference Documents

The latest version of all documents mentioned within the guide can be obtained from the Crestron website (www.crestron.com/manuals). This link will provide a list of product manuals arranged in alphabetical order by model number.

List of Related Reference Documents

DOCUMENT TITLE
MMK-V12 and WMKM-V12 Mud Mount Kit
V12-Wall and WMKC-V12 Wall Mount & Chassis Wall Mount Kit for V12
WMKT-V12 Trim Ring Mount Kit

Further Inquiries

If you cannot locate specific information or have questions after reviewing this guide, please take advantage of Crestron's award winning customer service team by calling Crestron at 1-888-CRESTRON [1-888-273-7876].

You can also log onto the online help section of the Crestron website (www.crestron.com/onlinehelp) to ask questions about Crestron products. First-time users will need to establish a user account to fully benefit from all available features.

Future Updates

As Crestron improves functions, adds new features and extends the capabilities of the PMK-V12, additional information may be made available as manual updates. These updates are solely electronic and serve as intermediary supplements prior to the release of a complete technical documentation revision.

Check the Crestron website periodically for manual update availability and its relevance. Updates are identified as an “Addendum” in the Download column.

Return and Warranty Policies

Merchandise Returns / Repair Service

1. No merchandise may be returned for credit, exchange or service without prior authorization from CRESTRON. To obtain warranty service for CRESTRON products, contact an authorized CRESTRON dealer. Only authorized CRESTRON dealers may contact the factory and request an RMA (Return Merchandise Authorization) number. Enclose a note specifying the nature of the problem, name and phone number of contact person, RMA number and return address.
2. Products may be returned for credit, exchange or service with a CRESTRON Return Merchandise Authorization (RMA) number. Authorized returns must be shipped freight prepaid to CRESTRON, 6 Volvo Drive, Rockleigh, N.J. or its authorized subsidiaries, with RMA number clearly marked on the outside of all cartons. Shipments arriving freight collect or without an RMA number shall be subject to refusal. CRESTRON reserves the right in its sole and absolute discretion to charge a 15% restocking fee plus shipping costs on any products returned with an RMA.
3. Return freight charges following repair of items under warranty shall be paid by CRESTRON, shipping by standard ground carrier. In the event repairs are found to be non-warranty, return freight costs shall be paid by the purchaser.

CRESTRON Limited Warranty

CRESTRON ELECTRONICS, Inc. warrants its products to be free from manufacturing defects in materials and workmanship under normal use for a period of three (3) years from the date of purchase from CRESTRON, with the following exceptions: disk drives and any other moving or rotating mechanical parts, pan/tilt heads and power supplies are covered for a period of one (1) year; touchscreen display and overlay components are covered for 90 days; batteries and incandescent lamps are not covered.

This warranty extends to products purchased directly from CRESTRON or an authorized CRESTRON dealer. Purchasers should inquire of the dealer regarding the nature and extent of the dealer's warranty, if any.

CRESTRON shall not be liable to honor the terms of this warranty if the product has been used in any application other than that for which it was intended or if it has been subjected to misuse, accidental damage, modification or improper installation procedures. Furthermore, this warranty does not cover any product that has had the serial number altered, defaced or removed.

This warranty shall be the sole and exclusive remedy to the original purchaser. In no event shall CRESTRON be liable for incidental or consequential damages of any kind (property or economic damages inclusive) arising from the sale or use of this equipment. CRESTRON is not liable for any claim made by a third party or made by the purchaser for a third party.

CRESTRON shall, at its option, repair or replace any product found defective, without charge for parts or labor. Repaired or replaced equipment and parts supplied under this warranty shall be covered only by the unexpired portion of the warranty.

Except as expressly set forth in this warranty, CRESTRON makes no other warranties, expressed or implied, nor authorizes any other party to offer any warranty, including any implied warranties of merchantability or fitness for a particular purpose. Any implied warranties that may be imposed by law are limited to the terms of this limited warranty. This warranty statement supersedes all previous warranties.

Trademark Information

All brand names, product names and trademarks are the sole property of their respective owners. Windows is a registered trademark of Microsoft Corporation. Windows95/98/Me/XP/Vista and WindowsNT/2000 are trademarks of Microsoft Corporation.

This page is intentionally left blank.



Crestron Electronics, Inc.
15 Volvo Drive Rockleigh, NJ 07647
Tel: 888.CRESTRON
Fax: 201.767.7576
www.crestron.com

**Installation Guide – DOC. 6812A
(2025428)**

11.09

Specifications subject to
change without notice.