

Crestron **CCS-TS-6500-MCK**
Mobile Cart Mount for 65" Display

Installation Guide



The specific patents that cover Crestron products are listed at patents.crestron.com.

Crestron and the Crestron logo are either trademarks or registered trademarks of Crestron Electronics, Inc. in the United States and/or other countries. Other trademarks, registered trademarks and trade names may be used in this document to refer to either the entities claiming the marks and names or their products. Crestron disclaims any proprietary interest in the marks and names of others. *Crestron is not responsible for errors in typography or photography.*

This document was written by the Technical Publications department at Crestron.
©2013 Crestron Electronics, Inc.

Contents

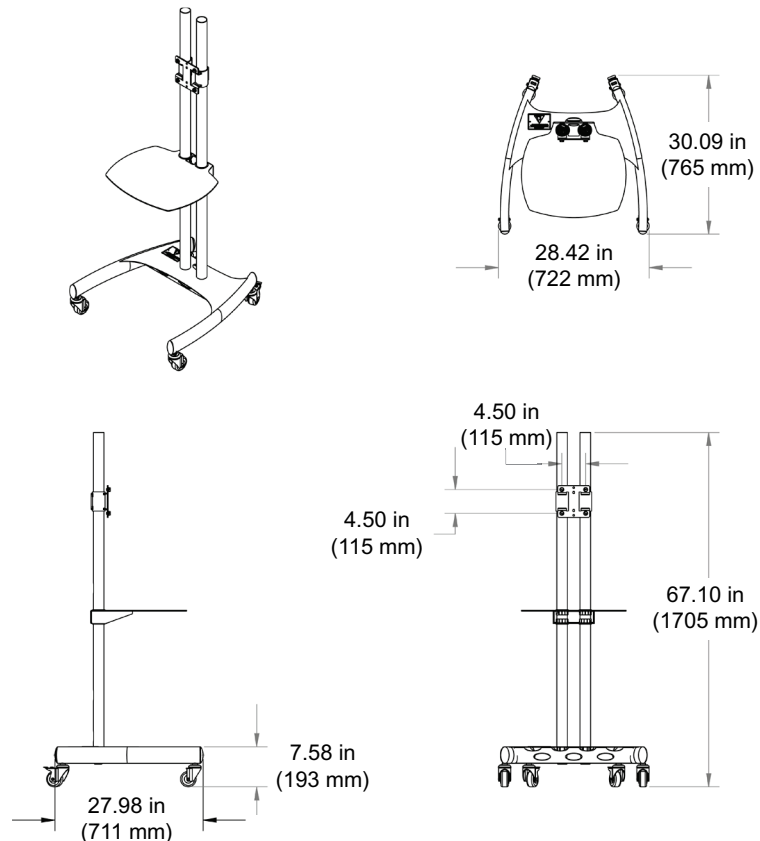
Mobile Cart Mount for 65" Display: CCS-TS-6500-MCK	1
Introduction	1
Setup	2
Supplied Hardware	2
Installation	2
Resources	6
Further Inquiries	6
Future Updates	6
Return and Warranty Policies	7
Merchandise Returns / Repair Service	7
Crestron Limited Warranty	7

Mobile Cart Mount for 65" Display: CCS-TS-6500-MCK

Introduction

The CCS-TS-6500-MCK Mobile Cart Mount from Crestron® is designed to support flat panel displays with up to 65" screens.

CCS-TS-6500-MCK Overall Dimensions



Setup

Supplied Hardware

The hardware supplied with the CCS-TS-6500-MCK is listed in the following table.

Supplied Hardware for the CCS-TS-6500-MCK

DESCRIPTION	QUANTITY
Base	1
3" Casters (locking)	2
3" Casters (non-locking)	2
Support Tubes	2
Screw, M10 x 12 mm, Hex	4
Display Adapter	1
Screw, M8 x 10 mm, Set	6
Flat Washer, M10	4
Caster Wrench, 21 mm	1
Allen Wrench, M5	1
Allen Wrench, 5/32"	1

Installation

This section provides installation procedures for the base casters, support tubes and display adapter. Be sure to review each procedure before starting.

WARNING: The floor structure must be capable of supporting at least 250 lb (114 kg). If not, the floor structure must be reinforced. Proper installation procedure by a qualified service technician, as outlined in the installation instructions, must be followed. Failure to do so could result in serious personal injury.

WARNING: Do not attach equipment weighing more than 75 lb (34 kg) above the 60" (~1.5 meter) marked line on the support poles. Doing so may cause the cart to tip over, resulting in property damage and personal injury.

CAUTION: Do not install on a structure that is prone to vibration, movement or chance of impact. Doing so could result in damage to the display or damage to the mounting surface.

CAUTION: Do not install near heater, fireplace, direct sunlight, air conditioning or any other source of heat. Doing so may result in damage to the display and could increase the risk of fire.

CAUTION: When used in conjunction with a wall mount used to support a flat panel display, such as the CCS-TS-6500-WMK, be certain to attach the display adapter to the center mounting position of the wall mount. It is important to distribute the weight of the display evenly to avoid damage to the display or damage to the wall mount.

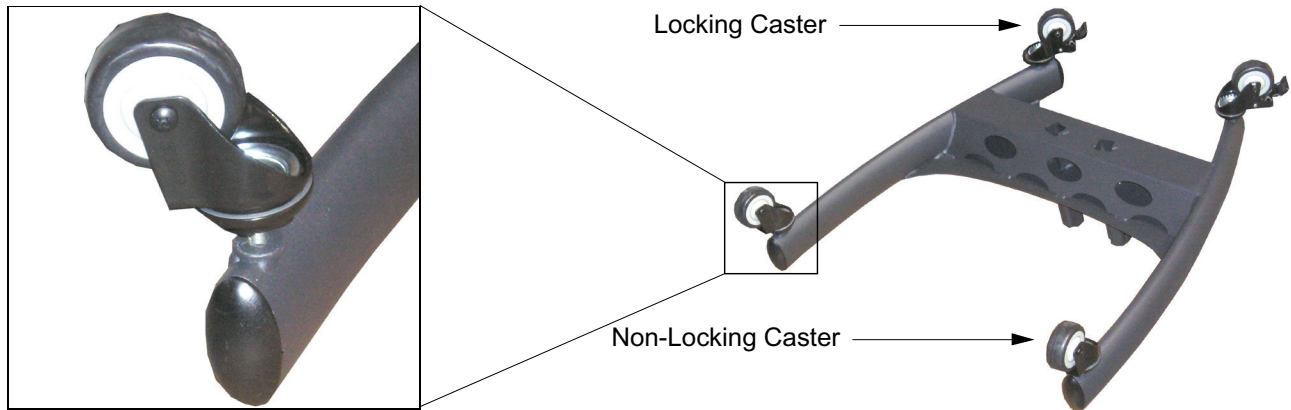
Base Caster Installation

To install the base casters:

1. Select the desired location for the CCS-TS-6500-MCK and place the base on a flat surface.

NOTE: Ensure the two locking casters are attached to the rear legs of the cart.

2. Insert each caster into the threaded mounting point located on the underside of the base (refer to the following illustration). Turn each caster clockwise to tighten. Ensure all four casters are tightened all the way until flush with the base. Then tighten using the included 21 mm caster wrench.

Base Caster Installation**Support Tube Installation**

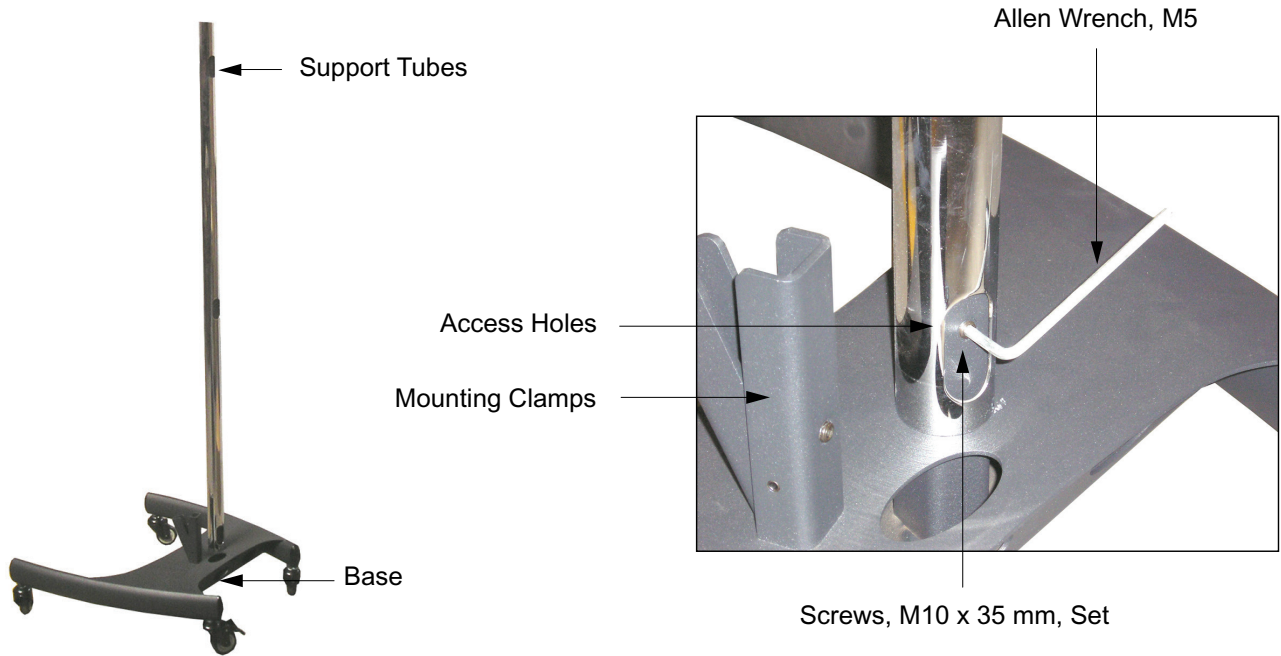
To install the support tubes:

1. Place the base on a flat surface.
2. Slide the support tubes over the mounting clamps on the cart (refer to the following illustration).

NOTE: To perform the following step, ensure the access holes located at the ends of the support tubes line up with the set screw holes in the mounting clamps. The upper holes are used for cable management once the display has been mounted on the support tubes.

3. Insert the set screws into each hole and tighten with the included M5 Allen wrench.

Support Tube Installation

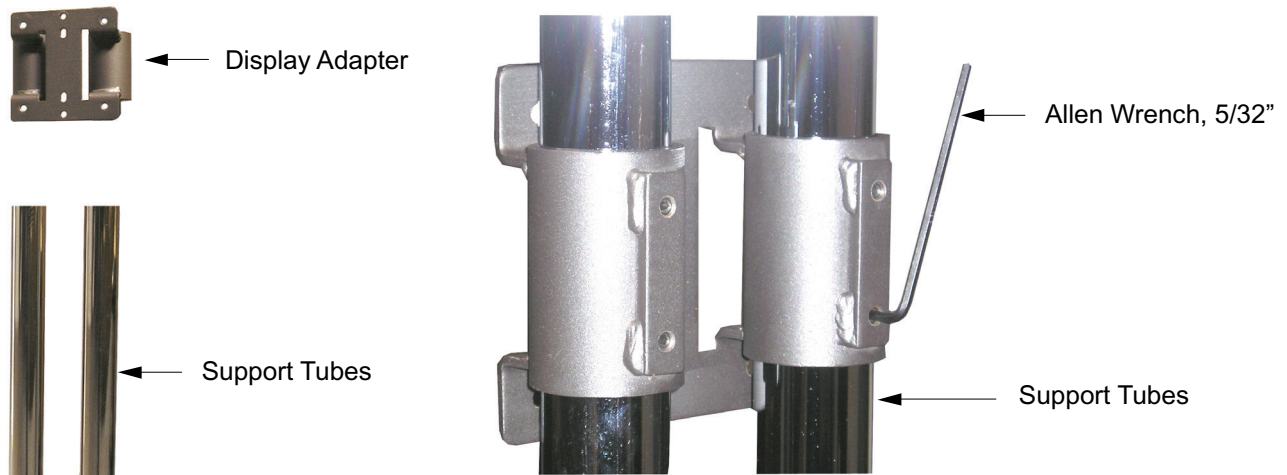


Display Adapter Installation

To install the display adapter:

1. Slide the display adapter onto the support tubes.
2. Once the desired height has been determined, secure the display adapter by tightening the four M8 x 10 mm set screws using the included 5/32" Allen wrench.

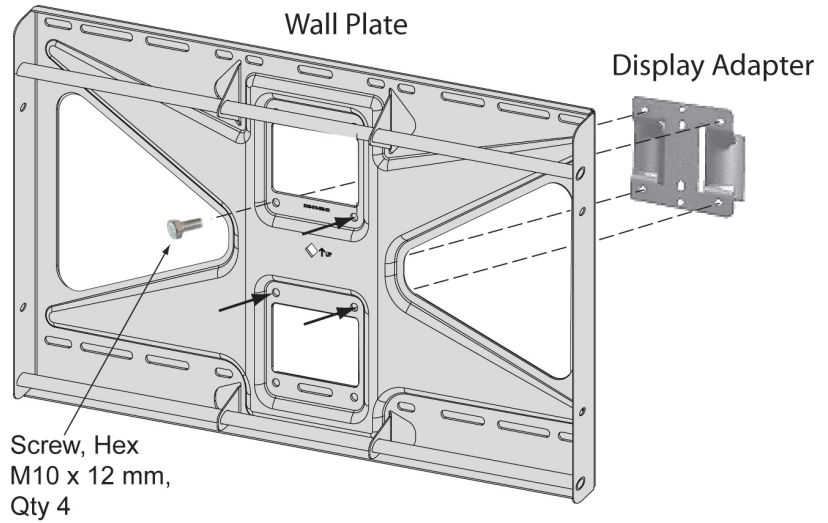
Display Adapter Installation



Wall Plate Installation

To attach a wall plate, such as the CCS-TS-6500-WMK, to the display adapter:

1. Install the display adapter as described on the previous page.
2. Attach the wall plate to the display adapter using the four supplied M10 x 12 mm hex screws in the four holes at the center position of the wall plate, as shown.

Wall Plate Installation

Resources

Further Inquiries

To locate specific information or resolve questions after reviewing this guide, contact Crestron's True Blue Support at 1-888-CRESTRON [1-888-273-7876] or refer to the listing of Crestron worldwide offices on the Crestron Web site (www.crestron.com/offices) for assistance within a particular geographic region.

To post a question about Crestron products, log onto the Online Help section of the Crestron Web site (www.crestron.com/onlinehelp). First-time users must establish a user account to fully benefit from all available features.

Future Updates

As Crestron improves functions, adds new features and extends the capabilities of the CCS-TS-6500-MCK, additional information may be made available as manual updates. These updates are solely electronic and serve as intermediary supplements prior to the release of a complete technical documentation revision.

Check the Crestron Web site periodically for manual update availability and its relevance. Updates are identified as an "Addendum" in the Download column.

Return and Warranty Policies

Merchandise Returns / Repair Service

1. No merchandise may be returned for credit, exchange or service without prior authorization from Crestron. To obtain warranty service for Crestron products, contact an authorized Crestron dealer. Only authorized Crestron dealers may contact the factory and request an RMA (Return Merchandise Authorization) number. Enclose a note specifying the nature of the problem, name and phone number of contact person, RMA number and return address.
2. Products may be returned for credit, exchange or service with a Crestron Return Merchandise Authorization (RMA) number. Authorized returns must be shipped freight prepaid to Crestron, 6 Volvo Drive, Rockleigh, N.J. or its authorized subsidiaries, with RMA number clearly marked on the outside of all cartons. Shipments arriving freight collect or without an RMA number shall be subject to refusal. Crestron reserves the right in its sole and absolute discretion to charge a 15% restocking fee plus shipping costs on any products returned with an RMA.
3. Return freight charges following repair of items under warranty shall be paid by Crestron, shipping by standard ground carrier. In the event repairs are found to be non-warranty, return freight costs shall be paid by the purchaser.

Crestron Limited Warranty

Crestron Electronics, Inc. warrants its products to be free from manufacturing defects in materials and workmanship under normal use for a period of three (3) years from the date of purchase from Crestron, with the following exceptions: disk drives and any other moving or rotating mechanical parts, pan/tilt heads and power supplies are covered for a period of one (1) year; touch screen display and overlay components are covered for 90 days; batteries and incandescent lamps are not covered.

This warranty extends to products purchased directly from Crestron or an authorized Crestron dealer. Purchasers should inquire of the dealer regarding the nature and extent of the dealer's warranty, if any.

Crestron shall not be liable to honor the terms of this warranty if the product has been used in any application other than that for which it was intended or if it has been subjected to misuse, accidental damage, modification or improper installation procedures. Furthermore, this warranty does not cover any product that has had the serial number altered, defaced or removed.

This warranty shall be the sole and exclusive remedy to the original purchaser. In no event shall Crestron be liable for incidental or consequential damages of any kind (property or economic damages inclusive) arising from the sale or use of this equipment. Crestron is not liable for any claim made by a third party or made by the purchaser for a third party.

Crestron shall, at its option, repair or replace any product found defective, without charge for parts or labor. Repaired or replaced equipment and parts supplied under this warranty shall be covered only by the unexpired portion of the warranty.

Except as expressly set forth in this warranty, Crestron makes no other warranties, expressed or implied, nor authorizes any other party to offer any warranty, including any implied warranties of merchantability or fitness for a particular purpose. Any implied warranties that may be imposed by law are limited to the terms of this limited warranty. This warranty statement supersedes all previous warranties.



Crestron Electronics, Inc.
15 Volvo Drive Rockleigh, NJ 07647
Tel: 888.CRESTRON
Fax: 201.767.7576
www.crestron.com



**Installation Guide – DOC. 7512A
(2036156)**

04.13

Specifications subject to
change without notice.