

MPC-M10/MPC-M20/MPC-M25 MPC Media Presentation Controller



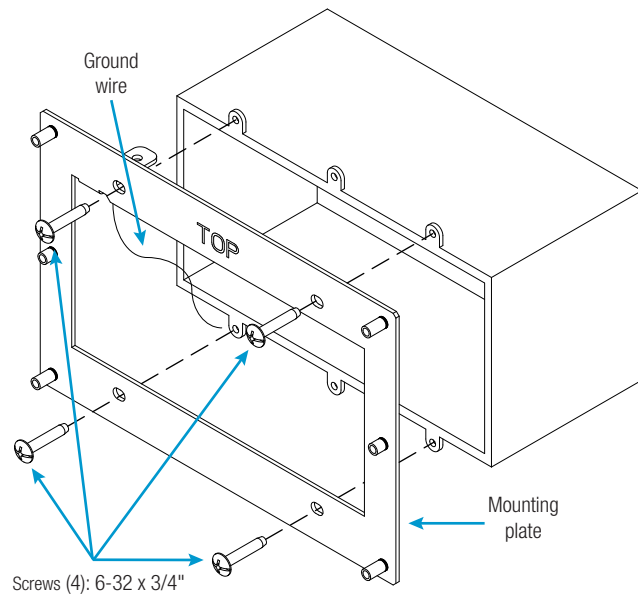
DO Install the Device

The MPC-M10, MPC-M20, and MPC-M25 media presentation controllers are designed to install into a standard 3-gang electrical box. After the facility control network has been installed and verified, use the following procedure to install the device.

NOTE: The MPC-M10, MPC-M20, and MPC-M25 are functionally similar, and they share the same installation and programming process. For simplicity within this guide, the term "MPC device" is used except where noted.

Attach the Mounting Plate into an Electrical Box

1. Turn the system power off.
2. Use the four included 6-32 x 3/4" screws to attach the mounting plate to the electrical box.



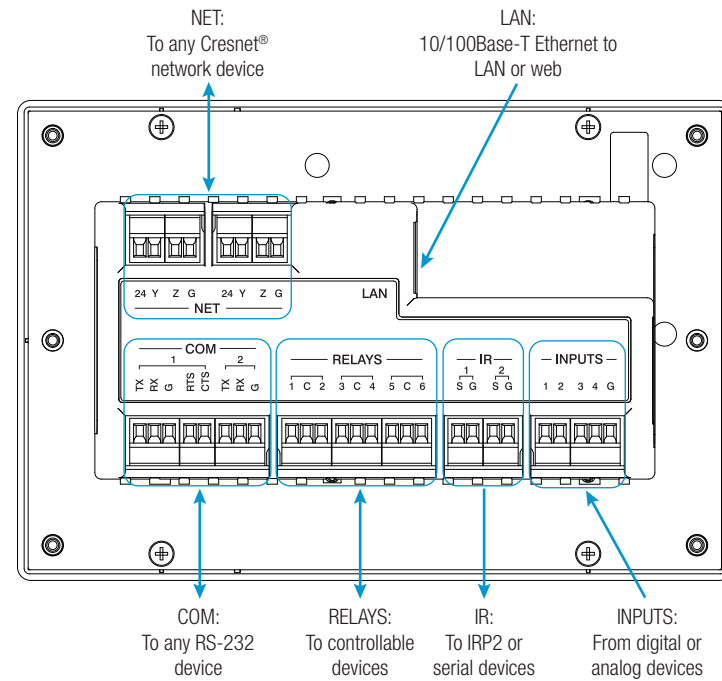
3. Attach the mounting plate ground wire to an earth ground.

NOTE: Ensure the unit is properly grounded.

Connect the Device

Route all appropriate cables through the electrical box, and then attach them to the rear of the MPC device.

NOTE: All cable connections must be made prior to attaching the MPC device to the mounting plate.



When making connections to the MPC device, note the following:

- Use Crestron® power supplies for Crestron equipment.
- Apply power after all connections to the device have been made.
- The included power cable cannot be extended.

NOTE: COM 2, IR 2, and RELAYS 3, 4, 5, and 6 are found only on the MPC-M25.

NOTE: When connecting the included power supply to the NET connector on the unit, make sure the lead with the white stripes connects to the terminal marked "24." The other lead connects to the terminal marked "G."

DO Check the Box

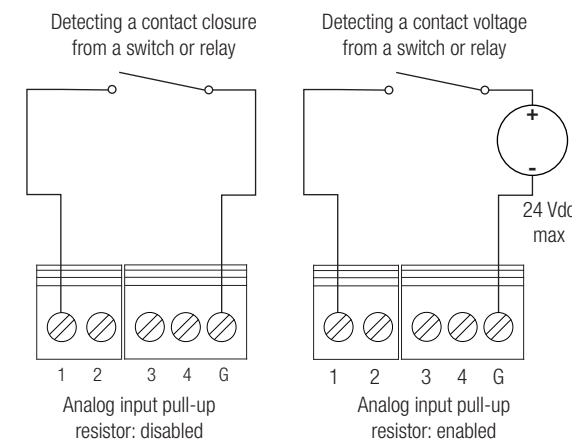
QUANTITY	PRODUCT	COLOR	PART NUMBER
2	Connector, Butt Splice	Red	2021836
1	Plate, Mounting		4506280
1	Power Cord, 6' 7" (2 m)		2001134
1	Power Pack, 24 Vdc 0.75 A, 100-240 Vac		2045852
2	Screw, 4-40 x 1/4", Pan Head, Phillips		2007156
4	Screw, 6-32 x 3/4", Truss Head, Combo		2009211
1	Tool, 1/16" Allen Wrench, L-shape, 3" Blade		2022867
For MPC-M10-W, MPC-M20-W, MPC-M25-W only			
1	Labels, Sources, 100 Piece Set	White	4509400
1	Labels, Actions, 100 Piece Set	White	4509402
4	Screw, 4-40 x 1/2", Button Head, Hex		2021396
For MPC-M10-B-T, MPC-M20-B-T, MPC-M25-B-T only			
1	Labels, Sources, 100 Piece Set	Black	4509401
1	Labels, Actions, 100 Piece Set	Black	4509403
4	Screw, 4-40 x 1/2", Button Head, Hex	Black	2021395
For MPC-M10-W and MPC-M10-B-T only			
1	Front Panel and Label, 10 Button	White	4506184
1	Front Panel and Label, 10 Button	Black	4506185
For MPC-M20-W and MPC-M20-B-T only			
1	Front Panel and Label, 20 Button	White	4506180
1	Front Panel and Label, 20 Button	Black	4506181
For MPC-25-W and MPC-25-B-T only			
1	Front Panel and Label, 20 Button	White	4506178
1	Front Panel and Label, 20 Button	Black	4506179

Depending on the application, the MPC device INPUTS can be wired multiple ways. Refer to the following diagrams when wiring INPUTS.

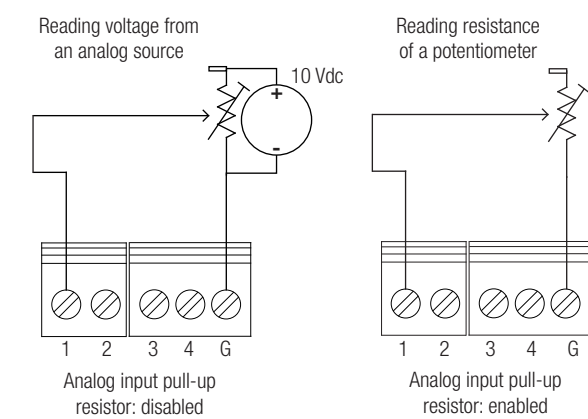
WARNING: Incorrect wiring may damage the MPC device.

NOTE: The settings for the pull-up resistor are specified in the SIMPL Windows program. For more information, refer to the SIMPL Windows help file.

Input Wiring Diagrams - Digital Input Function



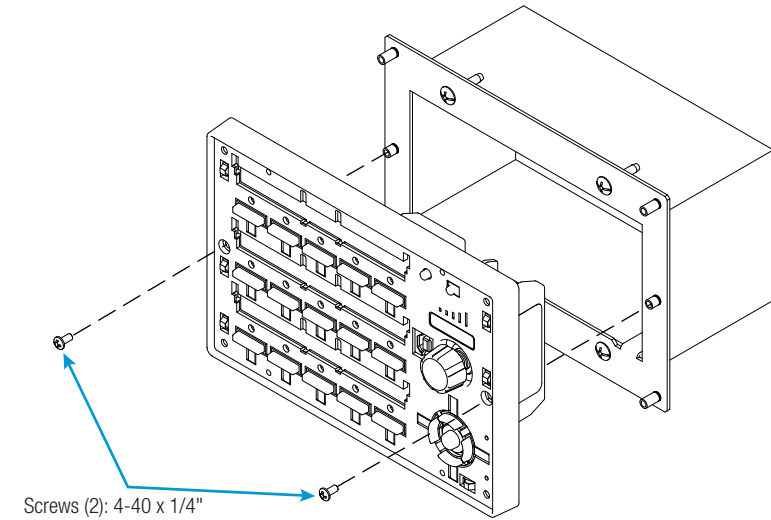
Input Wiring Diagrams - Analog Input Function



Attach the MPC Device to the Mounting Plate

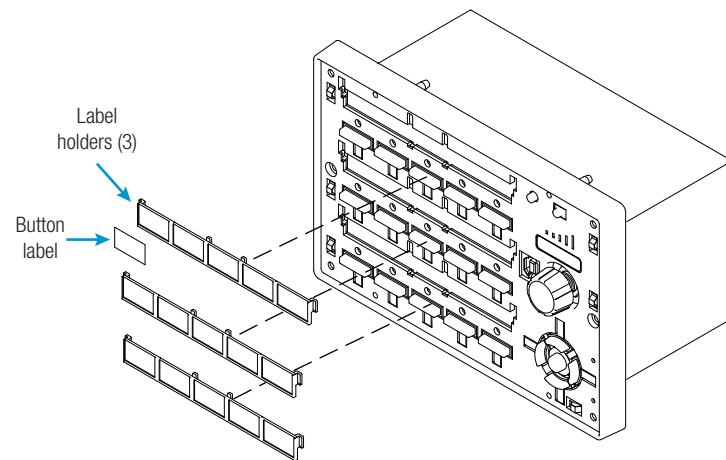
Use the two included 4-40 x 1/4" screws to attach the MPC device to the mounting plate.

CAUTION: Excess wire that is pinched between the MPC device and the mounting plate could short out. Make sure that all excess wire is completely contained inside the electrical box and not between the box and the device.



Attach and Label the Buttons

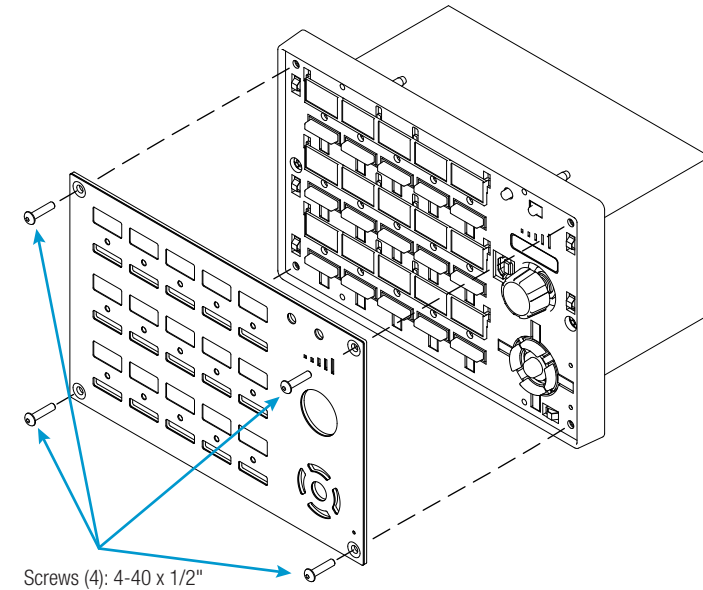
1. Attach the three label holders by placing them over their respective slots and sliding them downward into position.
2. Attach the included labels to the MPC by affixing them to their appropriate positions on the label holders. Optional custom-engraved labels for the MPC device can be ordered separately by downloading the Crestron Engraver software from www.crestron.com/software.



Attach the Face Plate to the MPC Device

Use the four included 4-40 x 1/2" screws and the included 1/16" Allen wrench to attach the face plate to the MPC device.

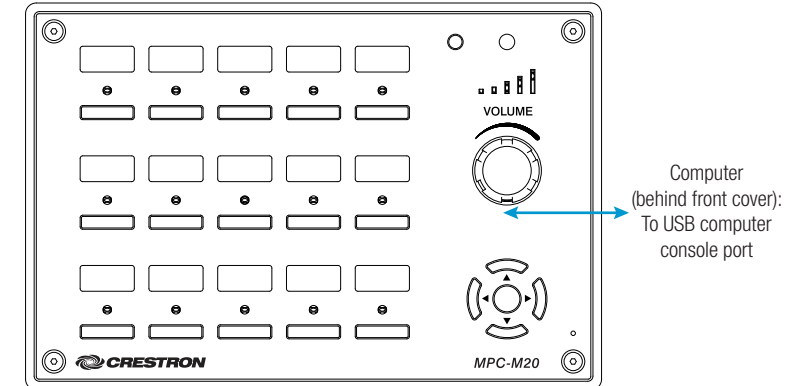
NOTE: If programming the device using the COMPUTER (USB) port, detach the face plate by removing the four 4-40 x 1/2" screws to access the port.



DO Program the Device

Use Crestron Toolbox™ software and one of the following communication methods to program the MPC device. Refer to the embedded Crestron Toolbox software help file for more information.

- **USB:** Perform any necessary programming through the device's COMPUTER (USB) port prior to attaching the front panel to the MPC device.



- **TCP/IP:** Perform any necessary programming over an Ethernet connection through the device's LAN port.

MPC-M10



MPC-M20



MPC-M25



DO Learn More

Visit the website for additional information and the latest firmware updates. To learn more about this product, use a QR reader application on your mobile device to scan the QR images.

Crestron Electronics
15 Volvo Drive, Rockleigh, NJ 07647
888.CRESTRON | www.crestron.com

CE As of the date of manufacture, the product has been tested and found to comply with specifications for CE marking.

UL These products are Listed to applicable UL Standards and requirements by Underwriters Laboratories Inc. Ces produits sont énumérés aux normes applicables et les exigences UL par Underwriters Laboratories Inc.

Federal Communications Commission (FCC) Compliance Statement

This device complies with part 15 of the FCC Rules. Operation is subject to the following two conditions:

- (1) This device may not cause harmful interference, and (2) this device must accept any interference received, including interference that may cause undesired operation.

CAUTION: Changes or modifications not expressly approved by the manufacturer responsible for compliance could void the user's authority to operate the equipment.

NOTE: This equipment has been tested and found to comply with the limits for a Class B digital device, pursuant to part 15 of the FCC Rules. These limits are designed to provide reasonable protection against harmful interference in a residential installation. This equipment generates, uses and can radiate radio frequency energy and, if not installed and used in accordance with the instructions, may cause harmful interference to radio communications. However, there is no guarantee that interference will not occur in a particular installation.

If this equipment does cause harmful interference to radio or television reception, which can be determined by turning the equipment off and on, the user is encouraged to try to correct the interference by one or more of the following measures:

- Reorient or relocate the receiving antenna.
- Increase the separation between the equipment and receiver.
- Connect the equipment into an outlet on a circuit different from that to which the receiver is connected.
- Consult the dealer or an experienced radio/TV technician for help.

Industry Canada (IC) Compliance Statement

CAN ICES-3(B)/NMB-3(B)

Crestron product development software is licensed to Crestron dealers and Crestron Service Providers (CSPs) under a limited non-exclusive, non-transferable Software Development Tools License Agreement. Crestron product operating system software is licensed to Crestron dealers, CSPs, and end-users under a separate End-User License Agreement. Both of these Agreements can be found on the Crestron website at www.crestron.com/legal/software_license_agreement.

The specific patents that cover Crestron products are listed at www.patents.crestron.com.

Certain Crestron products contain open source software. For specific information, please visit www.crestron.com/opensource.

Crestron, the Crestron logo, Cresnet, Crestron Toolbox, and the MPC logo are either trademarks or registered trademarks of Crestron Electronics, Inc., in the United States and/or other countries. UL and the UL logo are either trademarks or registered trademarks of Underwriters Laboratories, Inc. in the United States and/or other countries. Other trademarks, registered trademarks, and trade names may be used in this document to refer to either the entities claiming the marks and names or their products. Crestron disclaims any proprietary interest in the marks and names of others. Crestron is not responsible for errors in typography or photography.

This document was written by the Technical Publications department at Crestron.

©2016 Crestron Electronics, Inc.

The product warranty can be found at www.crestron.com/warranty.