

DM-TX-200-C-2G-FLOOR/WALL

Floor Box/Wall Plate DigitalMedia 8G+™ Transmitter 200

1 Installation Overview

The DM-TX-200-C-2G-FLOOR is designed for installation in a 6 inch (153 mm) floor box (not included) or in an open, ventilated area (for example, under a table). The DM-TX-200-C-2G-WALL is designed for installation in a 2-gang electrical box (not included) in an insulated wall, floor, or ceiling.

2 Rear Panel Connections

When installing the DM-TX-200-C-2G-FLOOR into a floor box (not included) or the DM-TX-200-C-2G-WALL into an electrical box (not included), verify that the required wiring has been fed through the floor box/electrical box before connecting the rear panel of the device.

DM 8G+™ Output Connection

Connect the **DM OUT** port of the transmitter to the DM 8G+™ input of a DM® switcher, receiver/room controller, or other DM device. If connecting to a DM switcher, connect the transmitter to the **DM IN** port of a DMC-C/DMC-C-DSP input card of the switcher.

For DM 8G+™ wiring up to 330 feet (100 meters) between devices, use any of the following cables (sold separately):

- Crestron® DM-CBL-8G DigitalMedia 8G™ cable
- Crestron DM-CBL DigitalMedia™ cable
- Crestron DM-CBL-D DigitalMedia D cable
- Generic CAT5e (or better) UTP or STP

NOTE: Shielded cable and connectors are recommended to safeguard against unpredictable environmental electrical noise which may impact performance at resolutions above 1080p.

Power Connection

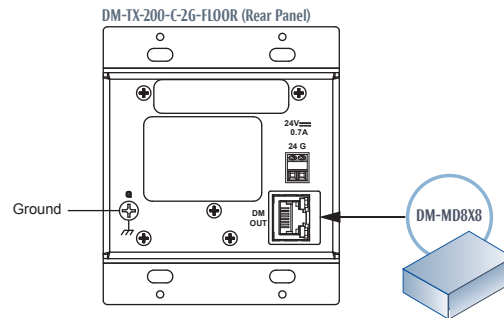
NOTE: Connecting the 24 VDC 2-pin terminal block is not required if the transmitter is to be powered using Power over DM (PoDM).

If the transmitter is *not* to be powered using PoDM, connect the 2-pin terminal block to the included power pack.

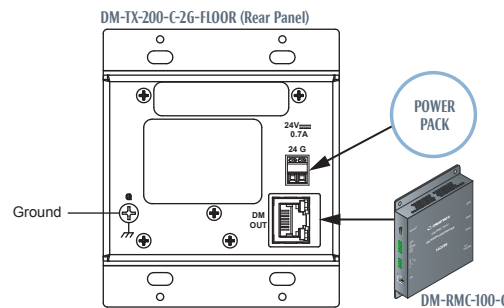
Ground Connection

Connect the chassis ground lug to earth ground (building steel).

PoDM Via Connection to DM Switcher (DM-TX-200-C-2G-FLOOR and DM-MD8X8 Shown)



Connection to DM Receiver/Room Controller—External Power Pack Required (DM-TX-200-C-2G-FLOOR and DM-RMC-100-C Shown)



3 Installation

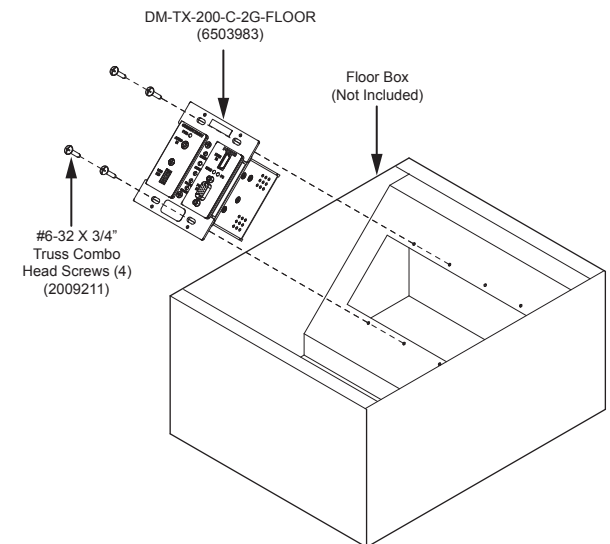
Refer to Section 9A below for information about installing the DM-TX-200-C-2G-FLOOR in a floor box (not included). Refer to Section 9B on the following page for information about installing the DM-TX-200-C-2G-WALL in an electrical box (not included).

3A DM-TX-200-C-2G-FLOOR Installation

The DM-TX-200-C-2G-FLOOR fits in a 2-gang opening in a 6 inch (153 mm) floor box (not included). A minimum mounting depth of 2.5 inches (64 mm) is required.

Using a Phillips head or straight blade screwdriver, attach the DM-TX-200-C-2G-FLOOR to an installed floor box using the four included #6-32 x 3/4 inch truss combo head screws (2009211).

DM-TX-200-C-2G-FLOOR Installation into Floor Box



DM-TX-200-C-2G-FLOOR/WALL

Floor Box/Wall Plate DigitalMedia 8G+™ Transmitter 200

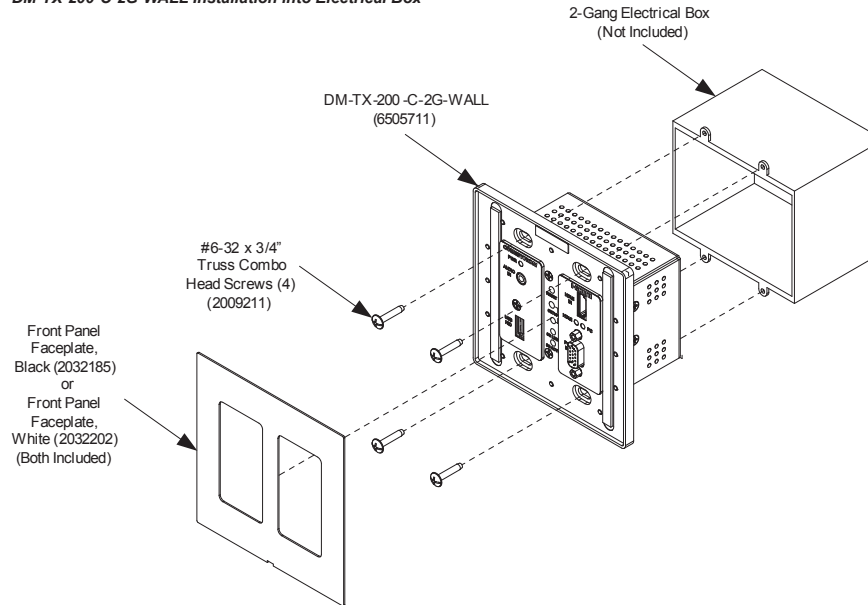
3B DM-TX-200-C-2G-WALL Installation

The DM-TX-200-C-2G-WALL installs in a 2-gang electrical box (not included) in an insulated wall, floor, or ceiling. A minimum mounting depth of 2.5 inches (64 mm) is required.

To install the DM-TX-200-C-2G-WALL in an electrical box:

1. Using a Phillips head or straight blade screwdriver, attach the DM-TX-200-C-2G-WALL to the electrical box using the four included #6-32 x 3/4 inch truss combo head screws (2009211).
2. Attach the included black faceplate (2032185) or the included white faceplate (2032202) to the front panel of the DM-TX-200-C-2G-WALL.

DM-TX-200-C-2G-WALL Installation into Electrical Box



4 Front Panel Connections

Audio Input Connection

Using an unbalanced 3.5 mm TRS mini phone jack cable (not included), connect the **AUDIO IN** port to an unbalanced audio source.

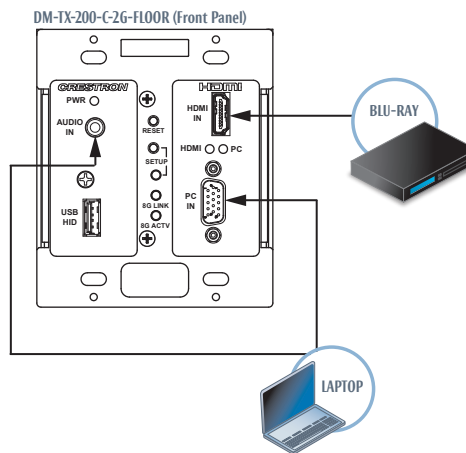
HDMI® Input Connection

Using an HDMI® cable (not included), connect the **HDMI IN** port to the HDMI output port of an audio/video source.

PC Input Connection

Using a VGA cable (not included), connect the **PC IN** port to an RGB (VGA), component, S-video, or composite video source.

Front Panel Connections (DM-TX-200-C-2G-FLOOR Shown)



5 IP Address Setup

Setup of the IP address of the DM-TX-200-C-2G-FLOOR/DM-TX-200-C-2G-WALL depends on the way the transmitter is configured within the DigitalMedia system:

- If the transmitter is connected to a receiver/room controller, the transmitter uses its own configuration settings. The transmitter ships with DHCP enabled; however, the default IP address can be assigned by holding down the **SETUP** button while the unit boots up. The default IP address is 192.168.1.239. The default IP address overwrites the current setting.
- If the transmitter is connected to a DM switcher, the transmitter is automatically configured by the switcher.

If manual configuration of the IP address of the transmitter is desired, use Crestron Toolbox™ to set the IP address.

Crestron, the Crestron logo, Crestron Toolbox, DigitalMedia, DigitalMedia 8G, DigitalMedia 8G+, DM, and DM 8G+ are trademarks or registered trademarks of Crestron Electronics, Inc. in the United States and other countries. HDMI and the HDMI logo are trademarks or registered trademarks of HDMI Licensing LLC in the United States and/or other countries. Other trademarks, registered trademarks, and trade names may be used in this document to refer to either the entities claiming the marks and names or their products. Crestron disclaims any proprietary interest in the marks and names of others.
© 2011 Crestron Electronics, Inc.