

FT-PWR-D

FlipTop™ Power Center, Small

- > Stylish flush-mount FlipTop™ housing
- > Easy pull-out universal cable management
- > Optional cable retractors
- > Dual AC power outlets
- > Black anodized or brushed aluminum finish
- > Small size matches the C2N-FTB-D FlipTop Control Center

The FT-PWR-D FlipTop™ Power Center by Crestron® provides an elegant connectivity solution in a stylish flush mount tabletop design. Popping open the “FlipTop” lid exposes the cable storage compartment where interface cables are kept at the ready for plugging in laptop computers, mobile devices, AV sources, and other equipment. Its compact size requires a minimal footprint, and matches the appearance of the [C2N-FTB-D](#) FlipTop Control Center. For a larger version of the FlipTop Power Center, see model [FT-PWR-D-LG](#).

FlipTop Power Centers are ideal for use with AV distribution systems like Crestron [DigitalMedia™](#), allowing the signal transmitters and receivers to be installed out of sight beneath the tabletop, with the user interface cables organized neatly within the cable storage compartment.

FlipTop Housing

Handsomely finished in a choice of black anodized or brushed aluminum, the FT-PWR-D lends a contemporary metallic accent to conference tables and podiums. It mounts flush in virtually any flat, horizontal surface up to 1-13/16 inch (46 mm) thick for a clean, low-profile appearance.

Cable Storage Compartment

The FT-PWR-D provides easy pull-out storage for [Crestron Certified Interface Cables](#)^[1] and a wide variety of other AV, data, and communication cables. Eight grommets are provided in the bottom of the storage compartment to accommodate either premade or custom cables, allowing each cable to be pulled out smoothly as needed. When not in use, the user end of each cable stows neatly within the storage compartment while excess cable simply drops out-of-sight below the box.

Cable Retractor Option

For an even more refined cable management solution, the FT-PWR-D accommodates up to three Crestron [CBLR2](#) Series Cable Retractors. Crestron cable retractors feature a patented mechanism that ensures smooth operation while eliminating hanging cable loops beneath the table.^[2]

Dual AC Power Outlets

For complete connectivity, the FT-PWR-D includes two AC power receptacles within the FlipTop compartment.



SPECIFICATIONS

Connectors - Front Panel

125V~50/60Hz 10A: (2) Grounded AC sockets, AC power pass-thru outlets;
Maximum Load: 10 Amps (total) @ 125 Volts AC, 50/60 Hz

Connectors - Bottom Panel

125V~50/60Hz 10A: (1) 9 ft grounded AC line cord;
Passes through to front panel AC power outlets

Environmental

Temperature: 41° to 104°F (5° to 40°C)
Humidity: 10% to 90% RH (non-condensing)

Enclosure

Chassis: Metal, black
Cover: Aluminum, black anodized or brushed aluminum finish
Mounting: Flush tabletop mount, 1-13/16 in (46 mm) maximum surface thickness, 5-5/16 in (135 mm) deep x 6-3/8 in (162 mm) wide cutout (template provided)

FT-PWR-D FlipTop™ Power Center, Small

Dimensions

Height: 5.39 in (137 mm) with lid closed

Width: 6.75 in (172 mm)

Depth: 5.71 in (145 mm), 7.21 in (184 mm) with mounting brackets

Weight

3.75 lb (1.70 kg)

MODELS & ACCESSORIES

Available Models

FT-PWR-D-B: FlipTop™ Power Center, Small, Black Anodized

FT-PWR-D-BALUM: FlipTop™ Power Center, Small, Brushed Aluminum
[Special Order]

Available Accessories

CBLR2 Series: Cable Retractors

CBLRA-BRKT-3-FT: Cable Retractor Mounting Bracket for Small FlipTops™

CBLRA-INSERT-BLANK: Blank Spacer Insert for Cable Retractor Mounting
Brackets

CBLRA-INSERT-2WIRE: 2-Wire Spacer Insert for Cable Retractor Mounting
Brackets

CBL Series: Crestron® Certified Interface Cables

Notes:

1. Interface cables sold separately.
2. Adding the cable retractor option removes all eight of the standard grommeted cable holes.
Cable retractors and related accessories are sold separately. See the [CBLR2](#) spec sheet for more information.

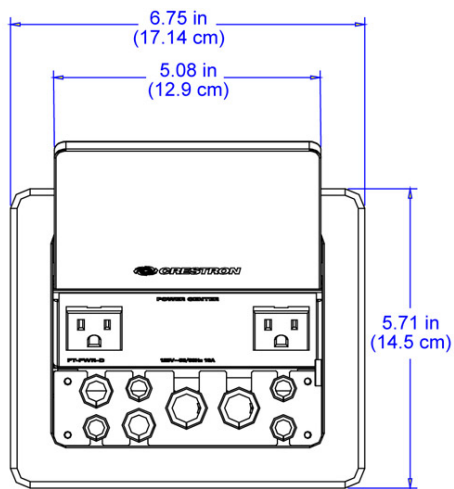
This product may be purchased from an authorized Crestron dealer. To find a dealer, please contact the Crestron sales representative for your area. A list of sales representatives is available online at www.crestron.com/salesreps or by calling 800-237-2041.

The specific patents that cover Crestron products are listed online at: patents.crestron.com.

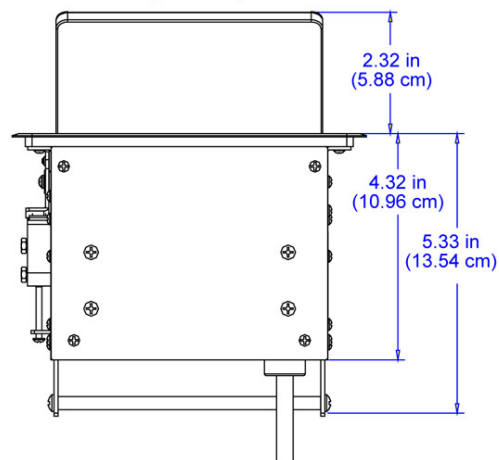
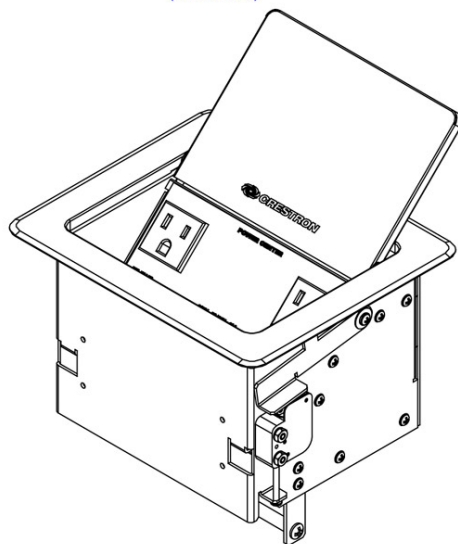
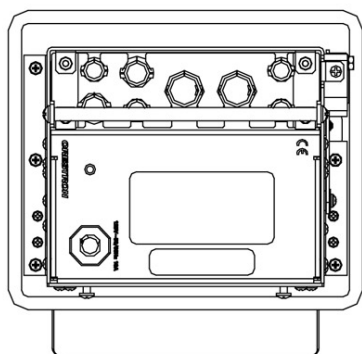
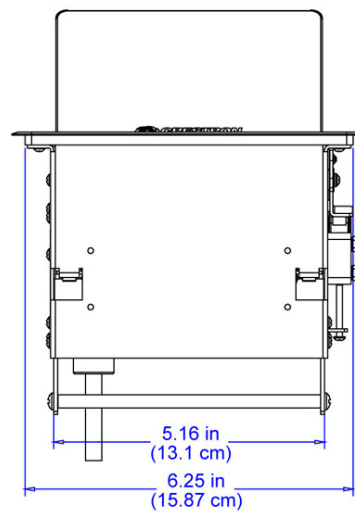
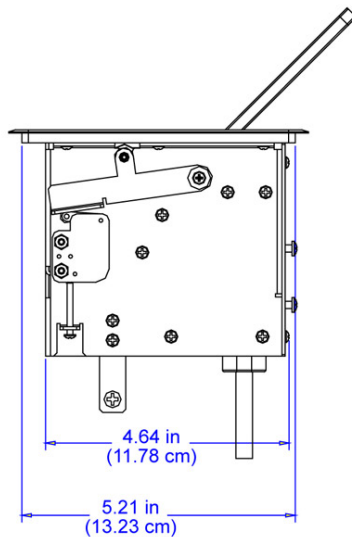
Crestron, the Crestron logo, DigitalMedia, FlipTop, and FlipTops are either trademarks or registered trademarks of Crestron Electronics, Inc. in the United States and/or other countries. Other trademarks, registered trademarks, and trade names may be used in this document to refer to either the entities claiming the marks and names or their products. Crestron disclaims any proprietary interest in the marks and names of others. Crestron is not responsible for errors in typography or photography. Specifications are subject to change without notice.

©2014 Crestron Electronics, Inc.

FT-PWR-D FlipTop™ Power Center, Small



With Cable Plate Installed



With Mounting Hardware Installed

