

SPKA-NCTP

Speaker Templates, Plastic Installation Guide



Description

Crestron® SPKA-NCTP New-Construction Speaker Templates are designed to be attached to framing prior to the installation of drywall in preparation for the installation of Crestron speakers. They allow for versatile positioning over wall studs (IW models) and ceiling joists (IC models) spaced 16" to 24" on center. Models are available to fit all sizes of Crestron Excite®, Aspire®, and Essence® in-ceiling and in-wall speakers.

Additional Resources

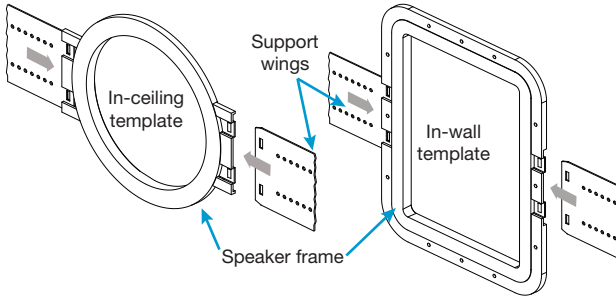
Visit the product page on the Crestron website (www.crestron.com) for additional information and the latest firmware updates. Use a QR reader application on your mobile device to scan the QR image.



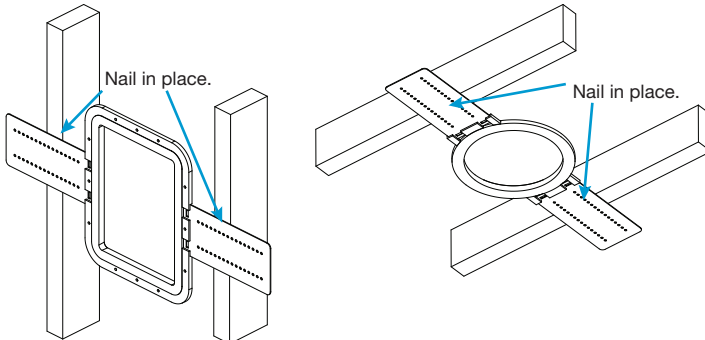
Installation

Refer to the following illustrations and do the following:

1. Attach the support wings to the speaker frame by inserting them into the sides of the speaker frame until they engage the tabs and snap in place.

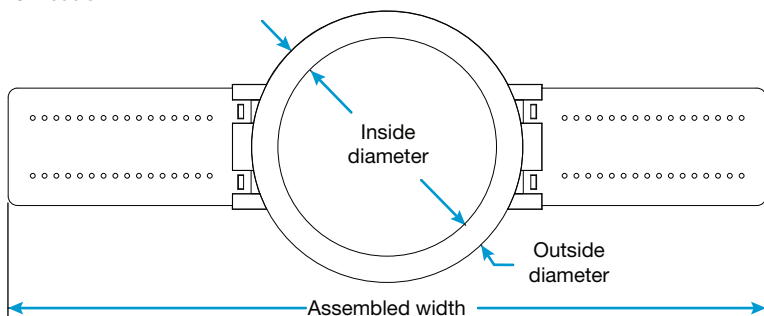


2. Position the assembled template in the desired location between the wall or ceiling studs and nail in place. Be sure the nail heads are set as flush as possible.



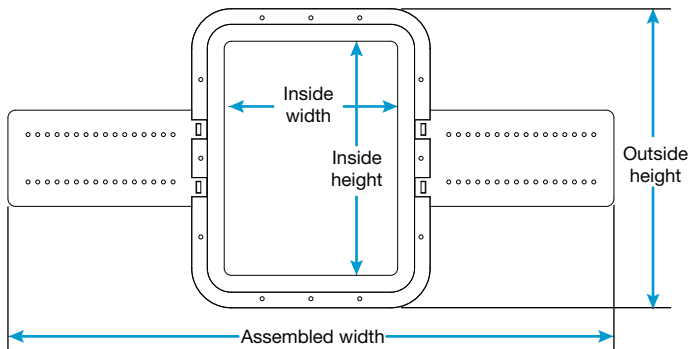
Dimensions

IC Models



	IC500	IC600	IC800
Inside Diameter	7.44 in (189 mm)	8.33 in (212 mm)	10.79 in (274 mm)
Outside Diameter	9.25 in (235 mm)	10.14 in (258 mm)	12.60 in (320 mm)
Assembled Width	25.80 in (656 mm)	26.69 in (678 mm)	29.15 in (741 mm)

IW Models



	IW500	IW600	IW800
Inside Width	7.21 in (184 mm)	8.29 in (211 mm)	9.76 in (248 mm)
Inside Height	9.73 in (248 mm)	11.17 in (284 mm)	13.21 in (336 mm)
Outside Height	12.42 in (316 mm)	13.86 in (352 mm)	15.90 in (404 mm)
Assembled Width	25.18 in (640 mm)	26.26 in (667 mm)	27.73 in (704 mm)

The product warranty can be found at www.crestron.com/warranty.

The specific patents that cover Crestron products are listed at patents.crestron.com.

Certain Crestron products contain open source software. For specific information, please visit www.crestron.com/opensource.

Crestron, the Crestron logo, Aspire, Essence, and Excite are either trademarks or registered trademarks of Crestron Electronics, Inc. in the United States and/or other countries. Other trademarks, registered trademarks, and trade names may be used in this document to refer to either the entities claiming the marks and names or their products. Crestron disclaims any proprietary interest in the marks and names of others. Crestron is not responsible for errors in typography or photography.

This document was written by the Technical Publications department at Crestron.

©2016 Crestron Electronics, Inc.

Crestron Electronics, Inc.
 15 Volvo Drive
 Rockleigh, NJ 07647
 Tel: 888.CRESTRON
 Fax: 201.767.7576
www.crestron.com

Installation Guide
DOC. 7355B
(2033198)
07.16

Specifications subject to change without notice.