

## Description

The Crestron® MPC3/MPB3-TTK-SQR tabletop kit provides a tabletop enclosure for the Crestron MPC3-201 3-Series® media presentation controller. The MPC3-201's front panel is angled at a fixed tilt of 45 degrees when installed in the enclosure. The complete assembly may be placed on any flat, level surface.

## Additional Resources

Visit the product page on the Crestron website ([www.crestron.com](http://www.crestron.com)) for additional information and the latest firmware updates. Use a QR reader application on your mobile device to scan the QR image.



## Installation

To install the MPC3/MPB3-TTK-SQR:

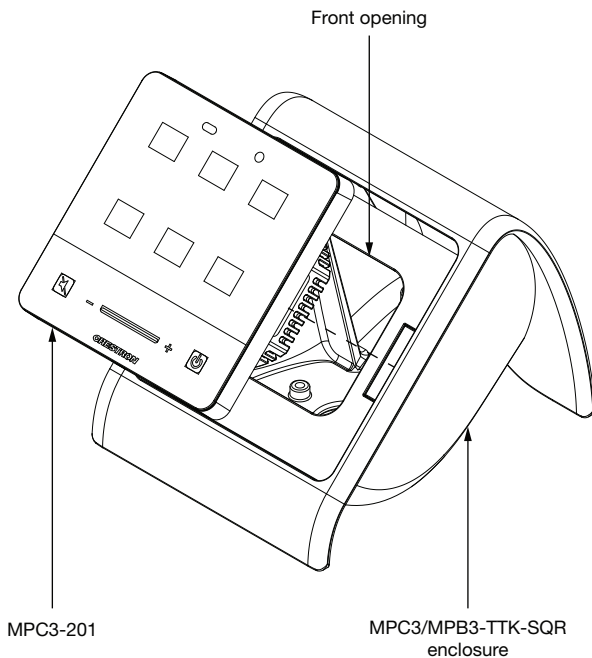
1. Prepare the MPC3-201 for installation into the MPC3/MPB3-TTK-SQR enclosure.
  - a. Insert the desired MPC3-201 icon chips into the appropriate label holders on the rear of the MPC3-201 assembly. Icon chips are used as button labels for the MPC3-201's backlit capacitive buttons.
  - b. Attach the MPC3-201 bezel to the assembly.

**NOTE:** For detailed instructions, refer to the MPC3-201 DO Guide (Doc. 7876) at [www.crestron.com/manuals](http://www.crestron.com/manuals).

2. Route the included Ethernet cable through the rear of the MPC3/MPB3-TTK-SQR enclosure and out of the enclosure's front opening.
3. Connect the Ethernet cable to the LAN PoE port on the MPC3-201 assembly.

**NOTE:** The grounding cable included with the MPC3-201 may not be used when the MPC3-201 is installed into the MPC3/MPB3-TTK-SQR enclosure.

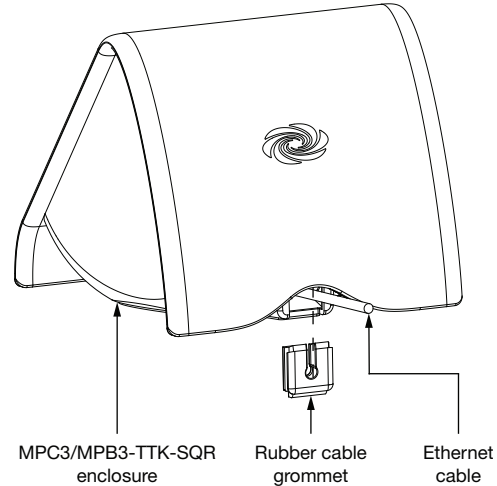
4. Insert the MPC3-201 into the front opening of the MPC3/MPB3-TTK-SQR enclosure as shown in the following illustration. The magnetic rear of the MPC3-201 assembly snaps into place securely against the enclosure.



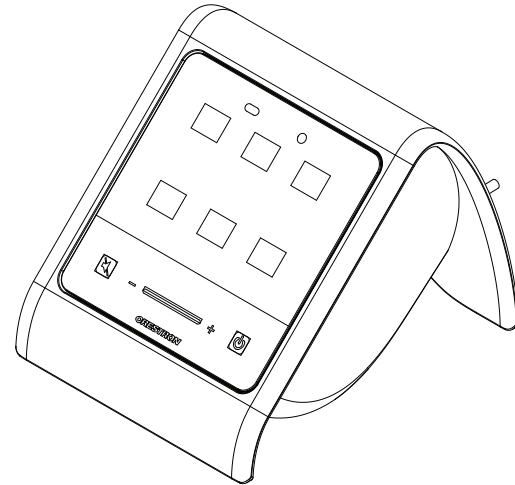
5. Install the rubber cable grommet.

**NOTE:** Ensure that the side of the cable grommet labeled "INSIDE" is facing toward the MPC3/MPB3-TTK-SQR enclosure during installation.

- a. Push the Ethernet cable down into the opening in the cable grommet.
- b. Push the cable grommet, top side first, into its slot above the rear hole in the MPC3/MPB3-TTK-SQR enclosure until it is secured in place.



6. Complete the MPC3-201 installation and configuration as described in the MPC3-201 DO Guide (Doc. 7876).



**NOTE:** To remove the MPC3-201 from the MPC3/MPB3-TTK-SQR enclosure after installation, use the bottom opening in the enclosure to push against the rear of the MPC3-201 assembly until the magnetic hold between the MPC3-201 and the enclosure is broken.

The product warranty may be found at [www.crestron.com/legal/sales-terms-conditions-warranties](http://www.crestron.com/legal/sales-terms-conditions-warranties).

The specific patents that cover Crestron products are listed at [www.crestron.com/legal/patents](http://www.crestron.com/legal/patents).

Certain Crestron products contain open source software. For specific information, please visit [www.crestron.com/legal/open-source-software](http://www.crestron.com/legal/open-source-software).

Crestron, the Crestron logo, and 3-Series are either trademarks or registered trademarks of Crestron Electronics, Inc. in the United States and/or other countries. Other trademarks, registered trademarks, and trade names may be used in this document to refer to either the entities claiming the marks and names or their products. Crestron disclaims any proprietary interest in the marks and names of others. Crestron is not responsible for errors in typography or photography.

This document was written by the Technical Publications department at Crestron.

©2018 Crestron Electronics, Inc.

**Crestron Electronics, Inc.**  
15 Volvo Drive, Rockleigh, NJ 07647  
Tel: 888.CRESTRON  
Fax: 201.767.7576  
[www.crestron.com](http://www.crestron.com)

**Installation Guide - DOC. 7878A**  
**(2047850)**  
**06.18**

Specifications subject to  
change without notice.