

TSW-UMB-60-BBI

Wall Mount Back Box for TSW-UMB-60 Installation Guide



Description

The Crestron® TSW-UMB-60-BBI is a recess wall-mounted metal back box that is designed for use with the Crestron TSW-UMB-60 universal mounting bracket. The TSW-UMB-60-BBI can be used with the TSW-UMB-60 to install a Crestron TSW-560, TSW-560P, TSW-760, or TSW-1060 touch screen in a concrete or masonry wall. Conduit knockouts are also provided on the top, bottom, and sides of the back box.

Additional Resources

Visit the product page on the Crestron website (www.crestron.com) for additional information, including any firmware updates. Use a QR reader application on your mobile device to scan the QR image.



Installation

To install the TSW-UMB-60-BBI, use the following procedure:

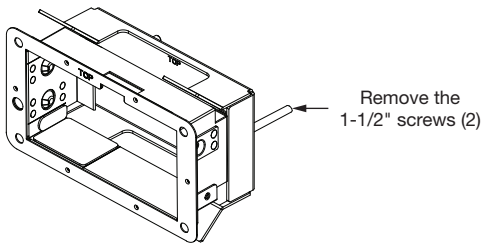
NOTE: For some installations, forced venting may be required.

NOTE: Knockout holes are intended for Class 2 wiring only and are 20 mm (13/16") in diameter.

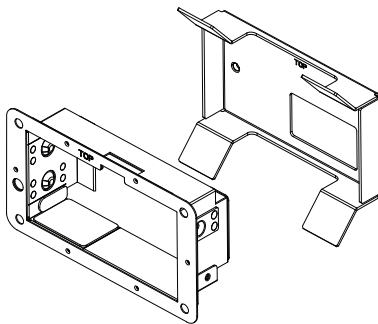
1. Separate the two halves of the TSW-UMB-60 assembly by removing the two 1-1/2" screws that hold the halves together. Refer to the following illustrations.

NOTE: The TSW-UMB-60 is included with the TSW-560 and TSW-560P touch screens. For TSW-760 and TSW-1060 installations, the TSW-UMB-60 must be purchased separately.

Separating the Halves of the TSW-UMB-60 (before Separation)

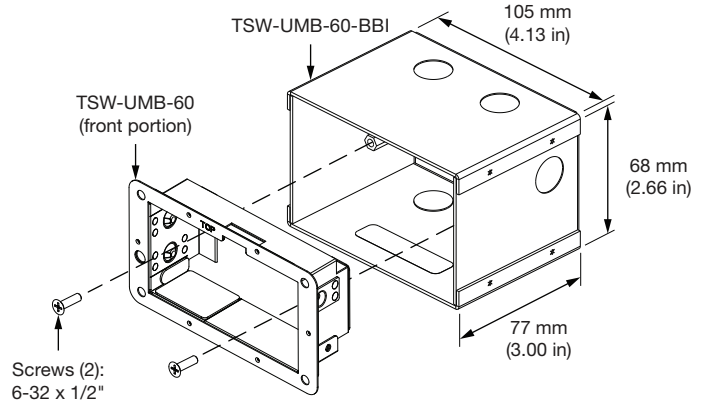


Separating the Halves of the TSW-UMB-60 (after Separation)



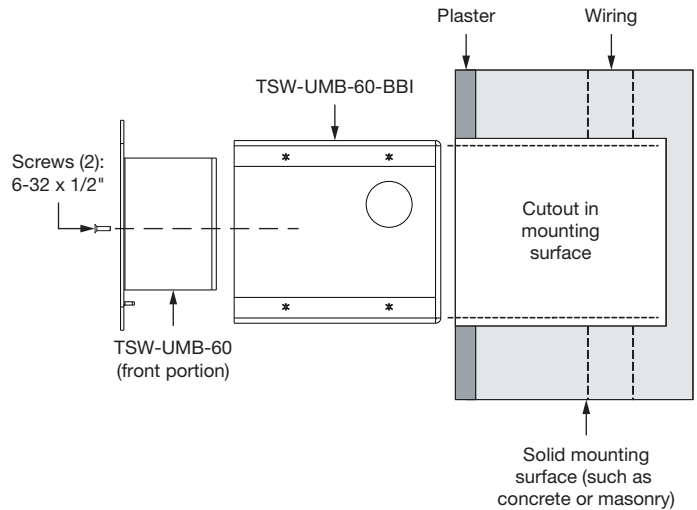
NOTE: The rear portion of the mounting bracket can be saved for possible future use. Only the front portion is required for installing the TSW-UMB-60-BBI.

2. Use the two included 6-32 x 1/2" screws to attach the front portion of the TSW-UMB-60 to the TSW-UMB-60-BBI. Refer to the following illustration.
Attaching the TSW-UMB-60 to the TSW-UMB-60-BBI



NOTE: Remove the appropriate knockouts on the TSW-UMB-60-BBI before installation.

3. Ensure that the "TOP" text on the front portion of the TSW-UMB-60 and the "TOP" text on the inside of the TSW-UMB-60-BBI are facing upward, and then mount the TSW-UMB-60-BBI into an appropriately sized cutout in the mounting surface as shown in the following illustration. (When making the cutout, use the product dimensions shown in the above image or listed in the table of specifications on the product webpage.) No minimum clearances are required.



NOTE: The TSW-UMB-60-BBI can also be mounted vertically for use with the TSW-560P portrait touch screen. For this installation, ensure that the "TOP" text on the front of the TSW-UMB-60 and the "TOP" text on the inside of the TSW-UMB-60-BBI are facing to the right, and then install the TSW-UMB-60-BBI into an appropriately sized cutout in the mounting surface. (Rotate the product 90° to the right to determine the necessary cutout dimensions for portrait mounting.)

The product warranty can be found at www.crestron.com/warranty.

The specific patents that cover Crestron products are listed at patents.crestron.com.

Certain Crestron products contain open source software. For specific information, please visit www.crestron.com/opensource.

Crestron and the Crestron logo are either trademarks or registered trademarks of Crestron Electronics, Inc. in the United States and/or other countries. Other trademarks, registered trademarks, and trade names may be used in this document to refer to either the entities claiming the marks and names or their products. Crestron disclaims any proprietary interest in the marks and names of others. Crestron is not responsible for errors in typography or photography.

This document was written by the Technical Publications department at Crestron.

©2017 Crestron Electronics, Inc.

Crestron Electronics, Inc.
15 Volvo Drive Rockleigh, NJ 07647
Tel: 888.CRESTRON
Fax: 201.767.7576
www.crestron.com

Installation Guide - DOC. 7958C
(2047752)
06.17

Specifications subject to
change without notice.