

## DM NVX® 1080p60 4:4:4 Network AV Encoder and Decoder

The Crestron [DM-NVX-E10](#) is a network AV encoder that transmits up to 1080p60 4:4:4 video over standard Gigabit Ethernet to a DM NVX® decoder. The [DM-NVX-D10](#) is a network AV decoder that receives up to 1080p60 4:4:4 video from a DM NVX encoder.

The DM-NVX-E10 provides a single HDMI® input, and the DM-NVX-D10 provides a single HDMI output. Both devices feature secure web-based control and management, an analog audio output, and copper LAN connectivity with PoE (Power over Ethernet) support.



### In the Box

- 1 DM-NVX-E10 or DM-NVX-D10

#### Additional Items

- 2 Connector, 3-Pin (2003575)
- 1 Connector, 2-Pin (2003574)



### Install the Device

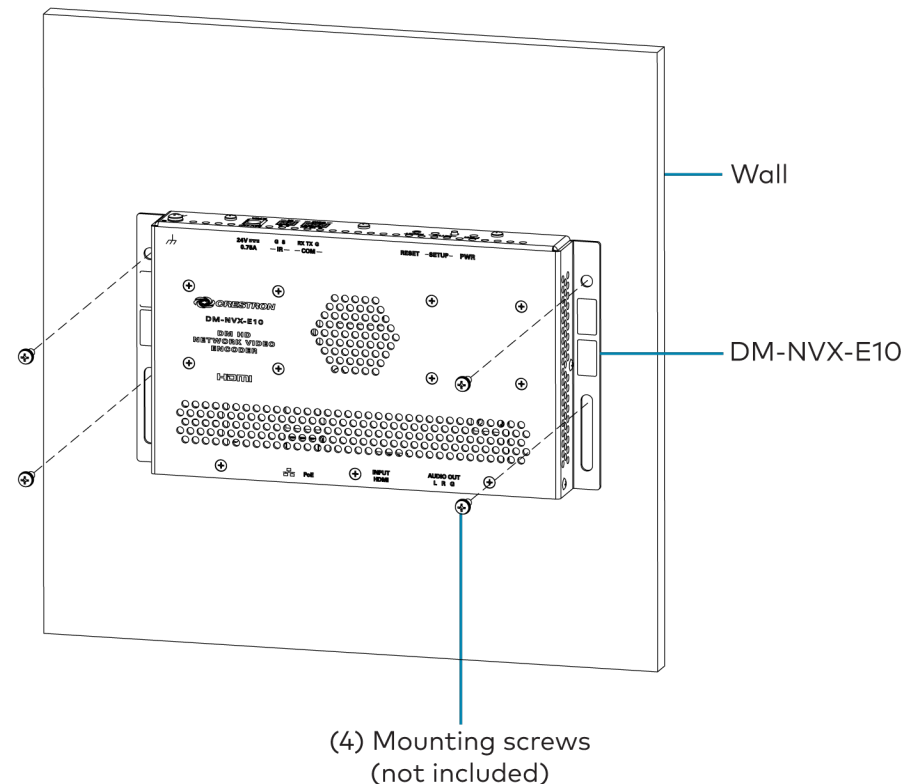
The DM-NVX-E10 and DM-NVX-D10 can be mounted onto a flat surface or onto a rack rail.

#### Mounting onto a Flat Surface

Using four mounting screws (not included), mount the device onto a flat surface such as a wall or the underside of a table. The screw diameter should be no more than 6 mm. Be sure to use the mounting hardware that is appropriate for the surface to which the device is being mounted.

**NOTE:** Fan ventilation holes are provided on five sides of the device. If the installation necessitates that another object be positioned flush against the ventilation holes on one side of the device, leave a minimum clearance of 2 inches of space on all other sides containing ventilation holes.

#### Wall Mounting (DM-NVX-E10 Shown)

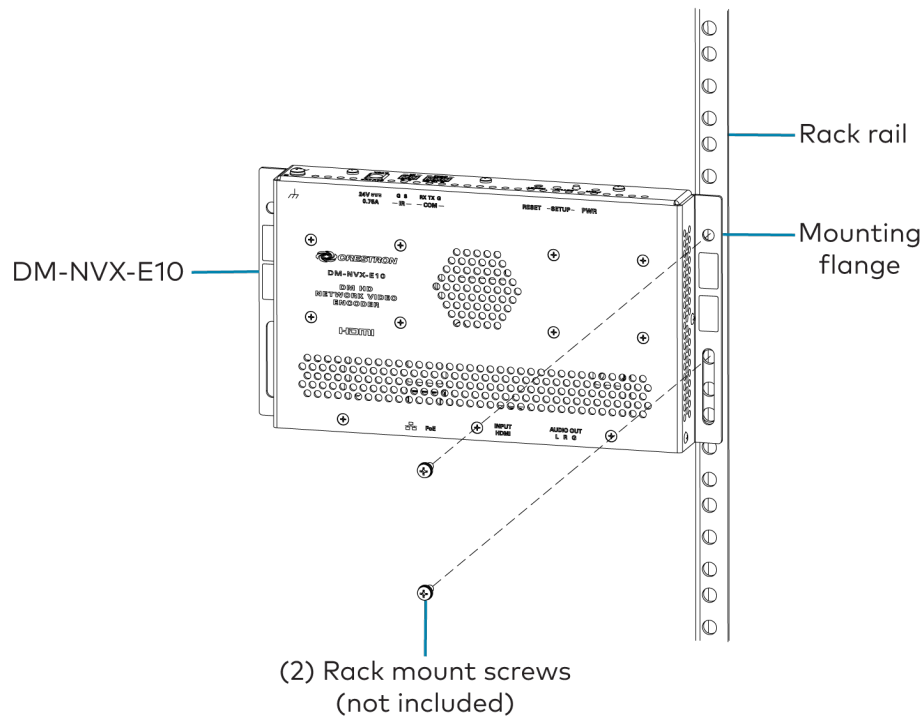


## DM NVX® 1080p60 4:4:4 Network AV Encoder and Decoder

### Mounting onto a Rack Rail

Using two rack mounting screws (not included), mount the left or right mounting flange of the device onto the front or rear rail of a rack.

#### Rack Rail Mounting Example (DM-NVX-E10 Shown)



### Connect the Device

Connect the device as required for the application.

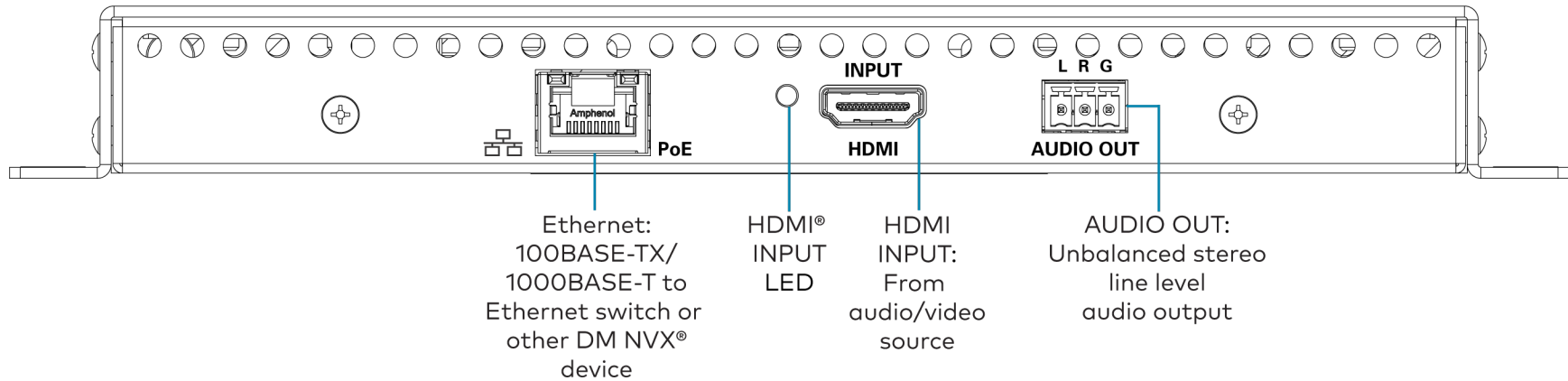
#### NOTES:

- The Ethernet port must be connected to a 1000BASE-T Ethernet switch in order to stream network video.
- The DM-NVX-E10 and DM-NVX-D10 can be powered via the Ethernet port, which is a PoE powered device (PD) port. In order for the device to receive PoE, the Ethernet port must be connected to a PoE power sourcing equipment (PSE) port of an Ethernet switch. Wiring that connects to a PoE PSE port is designed for intrabuilding use only.

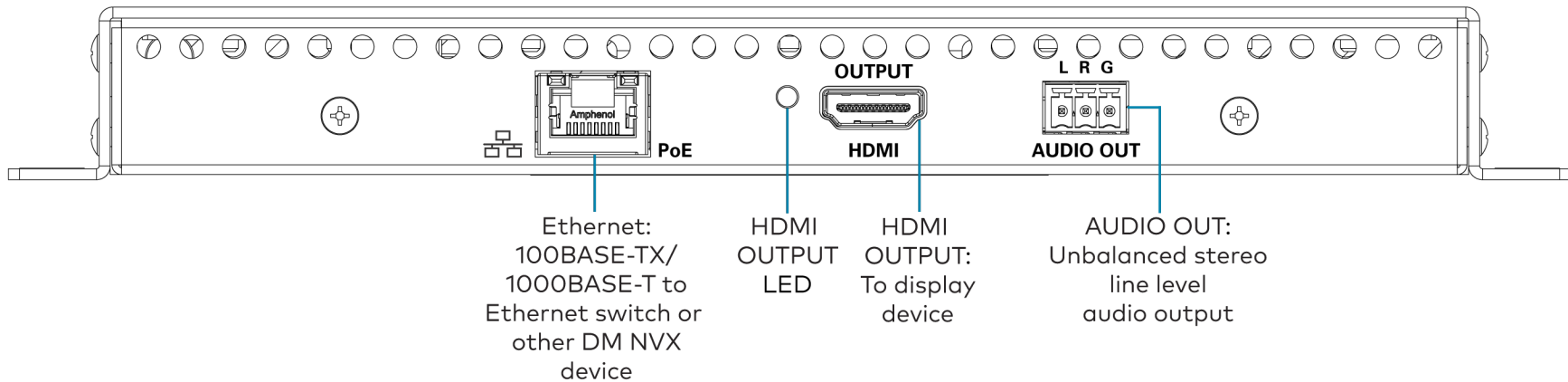
Alternatively, the DM-NVX-E10 and DM-NVX-D10 can be powered by a 24 VDC power pack (PW-2407WU, sold separately).

## DM NVX® 1080p60 4:4:4 Network AV Encoder and Decoder

### DM-NVX-E10 Front Panel Connections

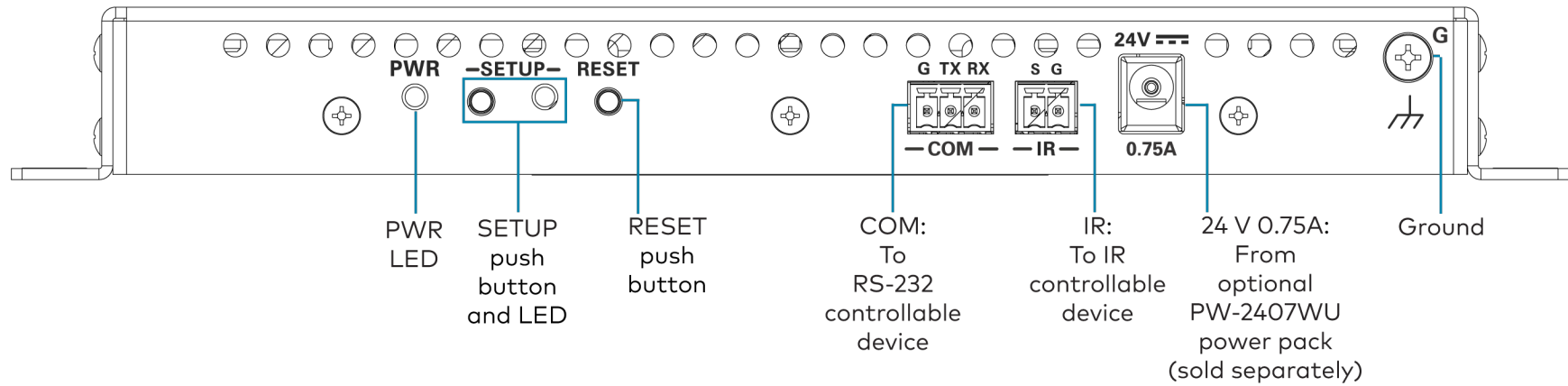


### DM-NVX-D10 Front Panel Connections



## DM NVX® 1080p60 4:4:4 Network AV Encoder and Decoder

### DM-NVX-E10 and DM-NVX-D10 Rear Panel Connections



## DM NVX® 1080p60 4:4:4 Network AV Encoder and Decoder



### Upgrade the Firmware

Before using the device, upgrade the firmware. The latest firmware can be downloaded from the [DM-NVX-E10](#) and [DM-NVX-D10](#) product pages on the Crestron website.



### Configure the Device

Configure the device using the web interface. To access the web interface, open a web browser and then go to the IP address of the device.

**NOTE:** By default, the IP address of a DM NVX device is assigned by a DHCP server on the network. If a DHCP server does not exist on the network, the IP address defaults to a link-local address in the 169.254.xxx.xxx range (refer to RFC 3927 for detailed information about link-local addressing). To find the IP address of the DM NVX device, use the Device Discovery tool in the Crestron Toolbox™ software.

If no account has been created, create an account by entering a user name and password and confirming the password. After an account is created, sign in to the web interface by entering the user name and password.



### Connect to the Cloud

The [XiO Cloud® service](#) allows supported devices across an enterprise to be managed and configured from one central and secure location in the cloud. Supported Crestron® devices are configured to connect to the service out of the box.

Use of the service requires a registered XiO Cloud account. To register for an XiO Cloud account, refer to [www.crestron.com/Support/Tools/Licensing-Registration/XiO-Cloud-Registration-Room-Licenses](http://www.crestron.com/Support/Tools/Licensing-Registration/XiO-Cloud-Registration-Room-Licenses).

1. Record the MAC address and serial number that are labeled on the shipping box or the device. The MAC address and serial number are required in order to add the device to the XiO Cloud service.

**NOTE:** If the device has multiple MAC addresses, use the MAC address that is providing the primary connection back to the network. For most devices, the Ethernet MAC address should be used. However, if your device is connecting to the network over a different protocol (such as Wi-Fi® communications), use the MAC address for that protocol instead.

2. Log in to your XiO Cloud account at [portal.crestron.io](http://portal.crestron.io).
3. Claim the device to the XiO Cloud service as described in the [XiO Cloud User Guide](#).

Select the device from the cloud interface to view its status and settings. The device may now also be managed and assigned to a group or room. For more information, refer to the [XiO Cloud User Guide](#).

**NOTE:** For XiO Cloud accounts with room-based licenses, the device must be added to a licensed room before its status and settings can be viewed.

## DM NVX® 1080p60 4:4:4 Network AV Encoder and Decoder



### Observe the LED Indicators

Refer to the following table for information about the LED indicators on the device.

LED Indicator	Color	Meaning
PWR	Amber	Power is being applied to the device. The device is booting.
	Green	Power is being applied to the device. The device is operational.
SETUP	Red	The SETUP button is pressed.
Ethernet	Green	An Ethernet link is established.
	Flashing amber	Data activity is occurring on the Ethernet link.
HDMI INPUT (DM-NVX-E10 only)	Green	An HDMI signal is detected at the HDMI input.
HDMI OUTPUT (DM-NVX-D10 only)	Green	An HDMI signal is being transmitted at the HDMI output.



### Visit the Product Page

Scan the QR code to visit the product page.

DM-NVX-E10



[www.crestron.com/model/6511646](http://www.crestron.com/model/6511646)

DM-NVX-D10



[www.crestron.com/model/6511647](http://www.crestron.com/model/6511647)

## DM NVX® 1080p60 4:4:4 Network AV Encoder and Decoder

### Additional Information

#### Original Instructions

The U.S. English version of this document is the original instructions. All other languages are a translation of the original instructions.

#### Regulatory Model: M202028003

Crestron product development software is licensed to Crestron dealers and Crestron Service Providers (CSPs) under a limited nonexclusive, nontransferable Software Development Tools License Agreement. Crestron product operating system software is licensed to Crestron dealers, CSPs, and end-users under a separate End-User License Agreement. Both of these Agreements can be found on the Crestron website at [www.crestron.com/legal/software\\_license\\_agreement](http://www.crestron.com/legal/software_license_agreement).

The product warranty can be found at [www.crestron.com/warranty](http://www.crestron.com/warranty).

The specific patents that cover Crestron products are listed at [www.crestron.com/legal/patents](http://www.crestron.com/legal/patents).

Certain Crestron products contain open source software. For specific information, visit [www.crestron.com/opensource](http://www.crestron.com/opensource).

Crestron, the Crestron logo, Crestron Toolbox, DM NVX, and XiO Cloud are either trademarks or registered trademarks of Crestron Electronics, Inc. in the United States and/or other countries. HDMI and the HDMI logo are either trademarks or registered trademarks of HDMI Licensing LLC in the United States and/or other countries. Wi-Fi is either a trademark or registered trademark of Wi-Fi Alliance in the United States and/or other countries. Other trademarks, registered trademarks, and trade names may be used in this document to refer to either the entities claiming the marks and names or their products. Crestron disclaims any proprietary interest in the marks and names of others. Crestron is not responsible for errors in typography or photography.

### HDMI

©2022 Crestron Electronics, Inc.

Doc. 9001A

01/18/22