



Introduction

Use the PWE-4803RU to power Crestron® and third party 802.3af powered devices.

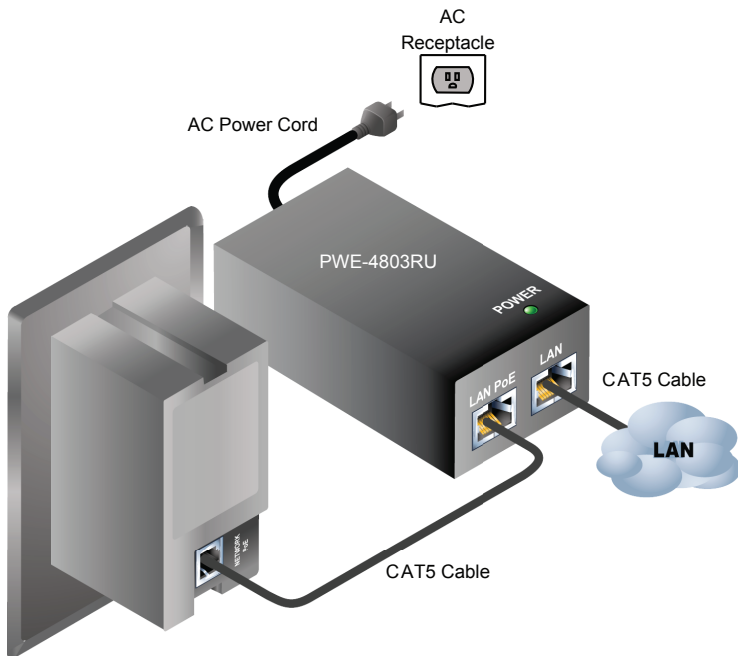
Additional Resources

Visit the product page on the Crestron website (www.crestron.com) for additional information and the latest firmware updates.



Installation

NOTE: Connect this PoE injector only to a device that is 802.3af-compliant. Plugging this PoE injector into a device that is not 802.3af-compliant could damage the device or the PoE injector.



Crestron PoE Powered Device

1. Attach the supplied AC power cord to the IEC 320 connector on the PoE injector.
2. Insert the other end of the power cord into an active AC receptacle.
3. Using a CAT5 cable, connect the LAN port of the PoE injector to the local area network (LAN). Refer to the following table when making connections to the LAN port.

Pin Assignments for LAN Port

PIN	SIGNAL	NOTE
1	TX+	Internally wired to Pin 1 of LAN PoE
2	TX-	Internally wired to Pin 2 of LAN PoE
3	RX+	Internally wired to Pin 3 of LAN PoE
4	No Connection	
5	No Connection	
6	RX-	Internally wired to Pin 6 of LAN PoE
7	No Connection	
8	No Connection	

4. Using a CAT5 cable, connect the LAN PoE port of the PoE injector to the PoE port of an 802.3af compliant powered device. Refer to the following table when making connections to the LAN PoE port.

Pin Assignments for LAN PoE Port

PIN	SIGNAL	NOTE
1	TX+	Internally wired to Pin 1 of LAN
2	TX-	Internally wired to Pin 2 of LAN
3	RX+	Internally wired to Pin 3 of LAN
4	+VDC	
5	+VDC	
6	RX-	Internally wired to Pin 6 of LAN
7	-VDC	
8	-VDC	

This product is Listed to applicable UL Standards and requirements by Underwriters Laboratories Inc.



Federal Communications Commission (FCC) Compliance Statement

This device complies with part 15 of the FCC Rules. Operation is subject to the following two conditions: (1) This device may not cause harmful interference, and (2) this device must accept any interference received, including interference that may cause undesired operation.

CAUTION: Changes or modifications not expressly approved by the manufacturer responsible for compliance could void the user's authority to operate the equipment.

NOTE: This equipment has been tested and found to comply with the limits for a Class A digital device, pursuant to part 15 of the FCC Rules. These limits are designed to provide reasonable protection against harmful interference when the equipment is operated in a commercial environment. This equipment generates, uses, and can radiate radio frequency energy and, if not installed and used in accordance with the instruction manual, may cause harmful interference to radio communications. Operation of this equipment in a residential area is likely to cause harmful interference in which case the user will be required to correct the interference at his own expense.

Industry Canada (IC) Compliance Statement

CAN ICES-3(A)/NMB-3(A)

The product warranty can be found at www.crestron.com/warranty.

The specific patents that cover Crestron products are listed at patents.crestron.com.

Crestron and the Crestron logo are either trademarks or registered trademarks of Crestron Electronics, Inc. in the United States and/or other countries. UL and the UL logo are either trademarks or registered trademarks of Underwriters Laboratories, Inc. in the United States and/or other countries. Other trademarks, registered trademarks, and trade names may be used in this document to refer to either the entities claiming the marks and names or their products. Crestron disclaims any proprietary interest in the marks and names of others. Crestron is not responsible for errors in typography or photography.

This document was written by the Technical Publications department at Crestron.

©2015 Crestron Electronics, Inc.

Crestron Electronics, Inc.
15 Volvo Drive Rockleigh, NJ 07647
Tel: 888.CRESTRON
Fax: 201.767.7576
www.crestron.com

Installation Guide - DOC. 6712B
(2021742)
06.15

Specifications subject to
change without notice.