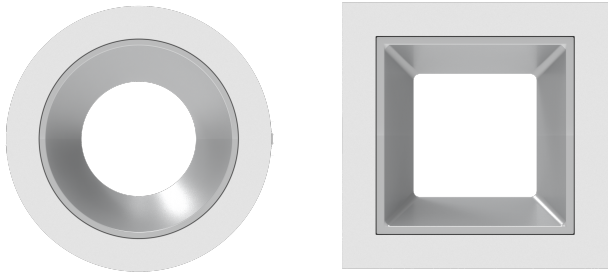


LFX-DL-TRIM

Trims for LFX-DL-TUNC

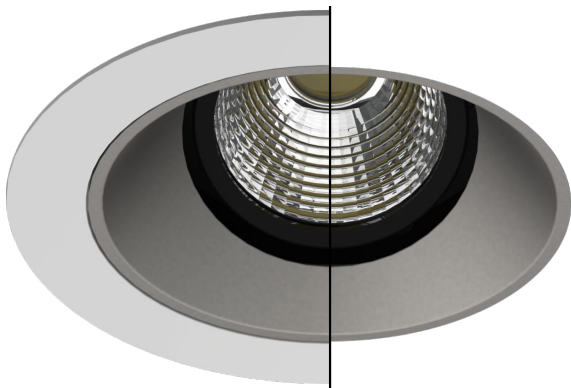


- Order using the [Crestron Light Fixture Configuration Tool](#)
- Trims available to match light fixture configuration
- Round and square aluminum trims with reflector and a 3.5 in. (90 mm) aperture
- Trims available with or without a flange
- Trim options include adjustable tilt and rotation, 20° wall wash, and 2 in. (51 mm) pinhole
- Trim and reflectors available in white, black, bronze, matte silver, and matte nickel

The LFX-DL-TRIM provides a decorative finish to [LFX-DL-TUNC](#) light fixtures. Round and square trims are available with options for wall wash, pinhole, and adjustable applications.

Die-cast aluminum trims provide a clean finish and are available with or without a trim flange. For ceilings thicker than 0.75 in. (19 mm), extension clips up to 1.88 in. (48 mm) are available.

Flanged and Flangeless Trims

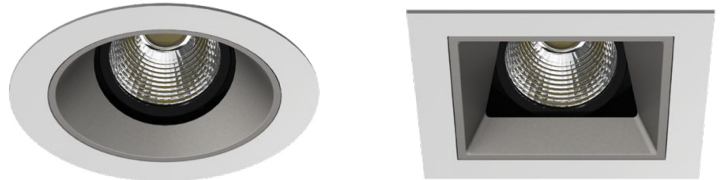


Fixed Trims - Round (Left) and Square (Right)



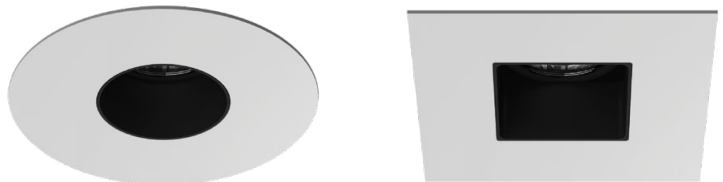
Adjustable and wall wash trims are compatible with light fixtures that have the adjustable light option. They can direct light towards a centerpiece in a room or accent a painting or photograph on a wall. Adjustable trims can rotate and tilt to match the orientation of the light fixture. Wall wash trims are set to 20° tilt.

Adjustable and Wall Wash Trims - Round (Left) and Square (Right)



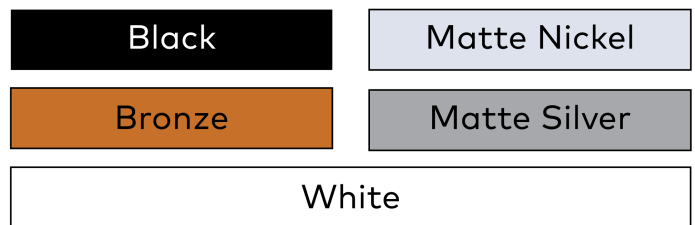
Pinhole trims help direct the light to a single point of interest. Pinhole trims have a 2 in. (51 mm) aperture.

Pinhole Trims - Round (Left) and Square (Right)



For wet location installations, clear or frosted glass is added to the trim.

The trim and reflector are available in white, black, bronze, matte silver, and matte nickel.



The trim is included with the light fixture and can also be purchased separately using the [Crestron Light Fixture Configuration Tool](#).

LFX-DL-TRIM

Trims for LFX-DL-TUNC

Specifications

Trim

Shape	Round or square; Flanged or flangeless; Flangeless trim is available in 3 sizes to accommodate ceilings from 0.5 in. to 1.75 in. (13 mm to 45 mm)
Type	Adjustable, fixed, pinhole, or wall wash
Finishes	Trim and reflector are available in 5 finishes; Available in white, black, bronze, matte silver, matte nickel
Glass Lens	Clear or frosted; Required for wet installation locations, glass is secured to the trim; Not available with wall wash trims
Extension Clips	Install in thicker ceilings by using an optional extension clip; Extension clips are available in five sizes to accommodate ceilings from 0.75 in. to 1.88 in. (19 mm to 48 mm)

Environmental

Temperature	Operation: 32° to 95°F (0° to 35°C), room temperature; Storage: 32° to 140°F (0° to 60°C), not powered
Humidity	10% to 95% RH (noncondensing)

Construction

Trim	Die-cast aluminum
-------------	-------------------

Dimensions

Trim Width	Round Flanged: Ø 4.97 in. (127 mm); Round Flangeless: Ø 3.72 in. (95 mm) Square Flanged: 4.62 in. (118 mm); Square Flangeless: 3.38 in. (86 mm)
Trim Depth	Flanged: Projects 0.07 in. (2 mm) from ceiling surface; Flangeless: Flush with the ceiling surface

Model

LFX-DL-TRIM

Trims for LFX-DL-TUNC

This product may be purchased from select authorized Crestron dealers and distributors. To find a dealer or distributor, please contact the Crestron sales representative for your area. A list of sales representatives is available online at www.crestron.com/How-To-Buy/Find-a-Representative or contact us for additional information by visiting www.crestron.com/contact/our-locations for your local contact.

The original language version of this document is U.S. English. All other languages are a translation of the original document.

The product warranty can be found at www.crestron.com/warranty.

The specific patents that cover Crestron products are listed online at www.crestron.com/legal/patents.

Certain Crestron products contain open source software. For specific information, please visit www.crestron.com/opensource.

Crestron and the Crestron logo are either trademarks or registered trademarks of Crestron Electronics, Inc. in the United States and/or other countries. Other trademarks, registered trademarks, and trade names may be used in this document to refer to either the entities claiming the marks and names or their products. Crestron disclaims any proprietary interest in the marks and names of others. Crestron is not responsible for errors in typography or photography.

Specifications are subject to change without notice.

©2022 Crestron Electronics, Inc.

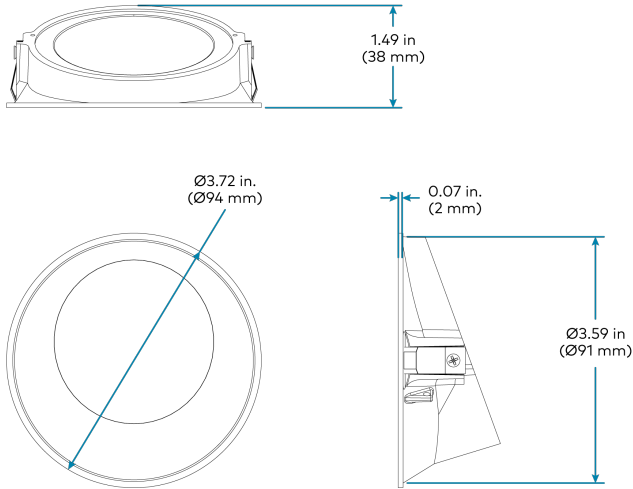
Rev 10/07/22

LFX-DL-TRIM

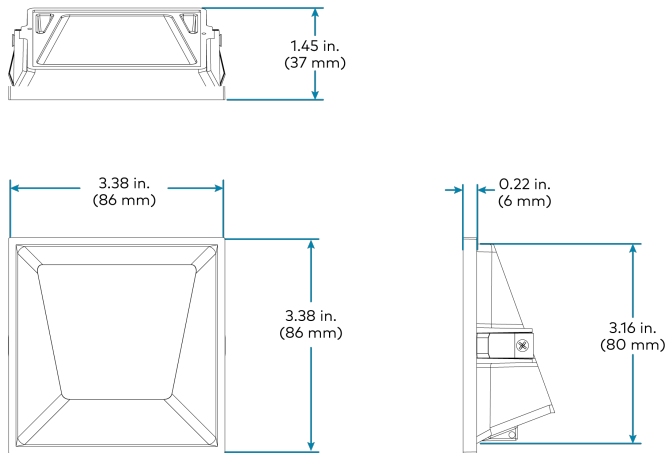
Trims for LFX-DL-TUNC

Dimension Drawings

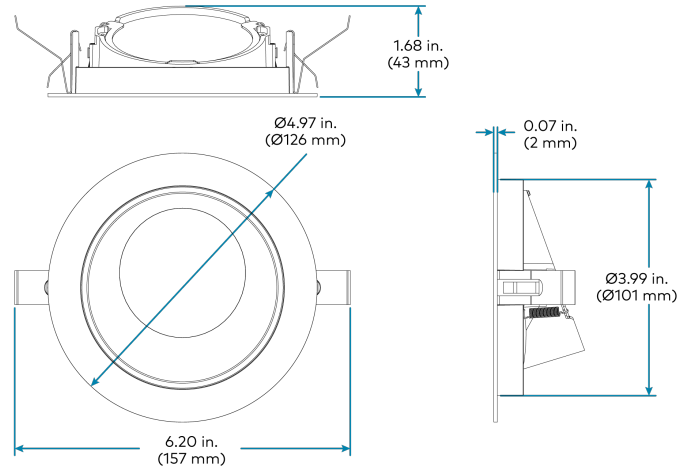
Round, Adjustable, Flangeless



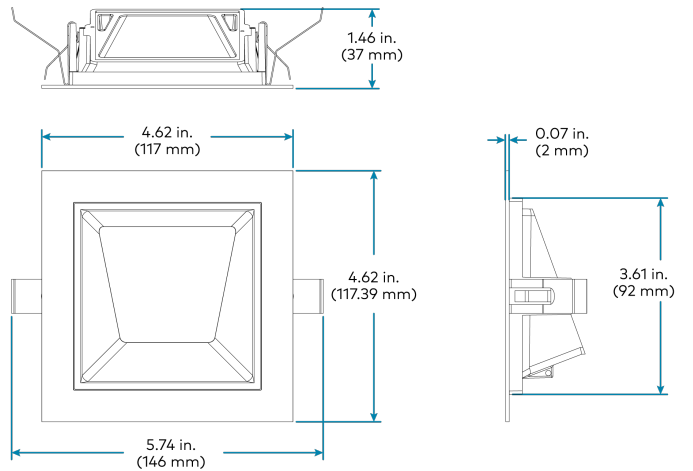
Square, Adjustable, Flangeless



Round, Adjustable, Flanged



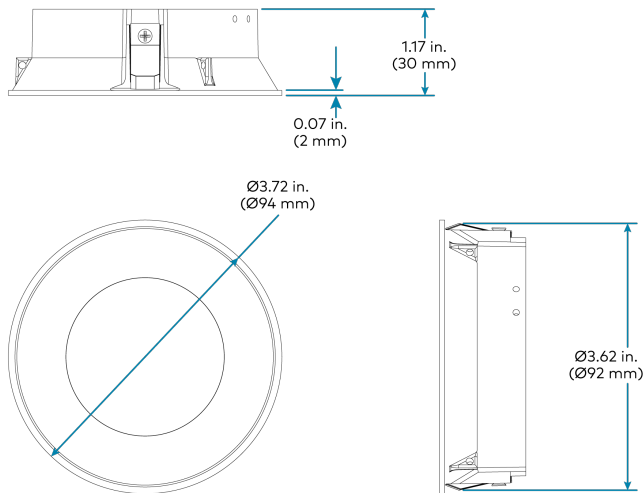
Square, Adjustable, Flanged



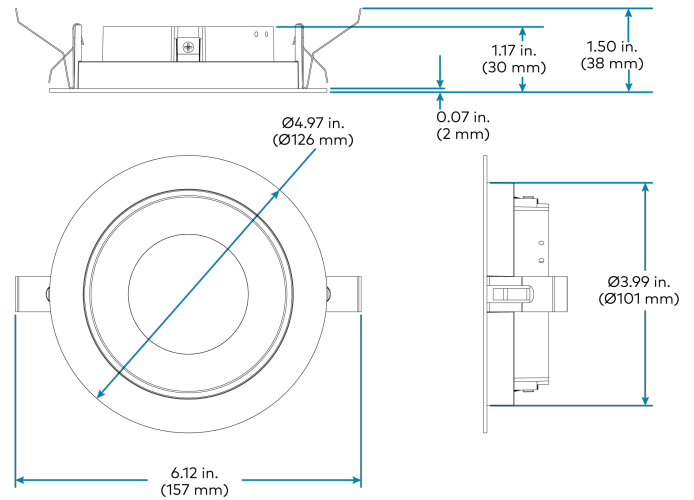
LFX-DL-TRIM

Trims for LFX-DL-TUNC

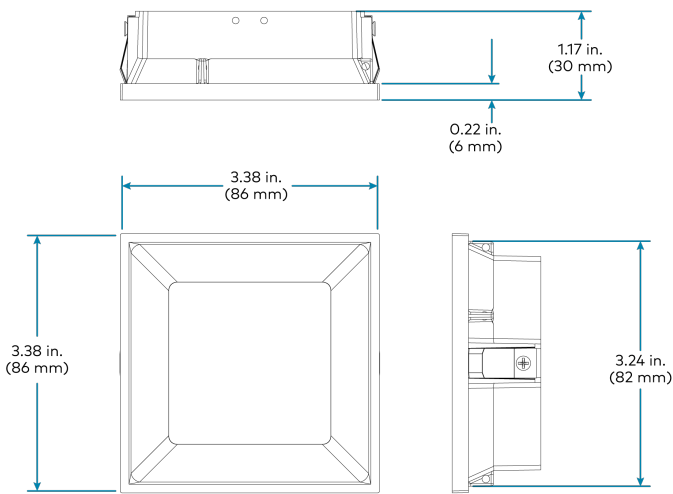
Round, Fixed, Flangeless



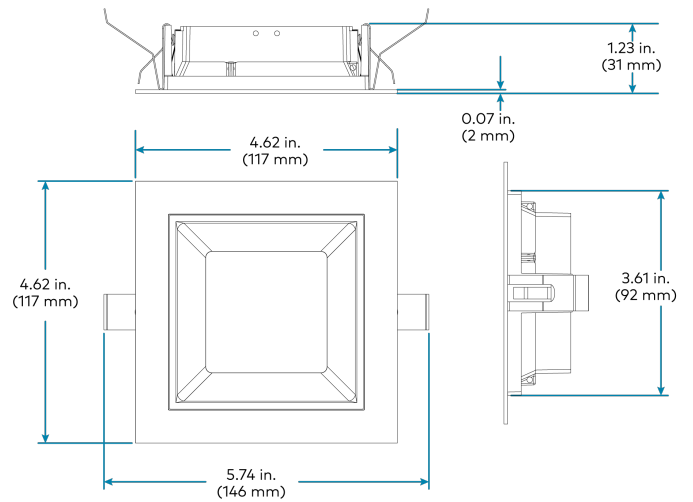
Round, Fixed, Flanged



Square, Fixed, Flangeless



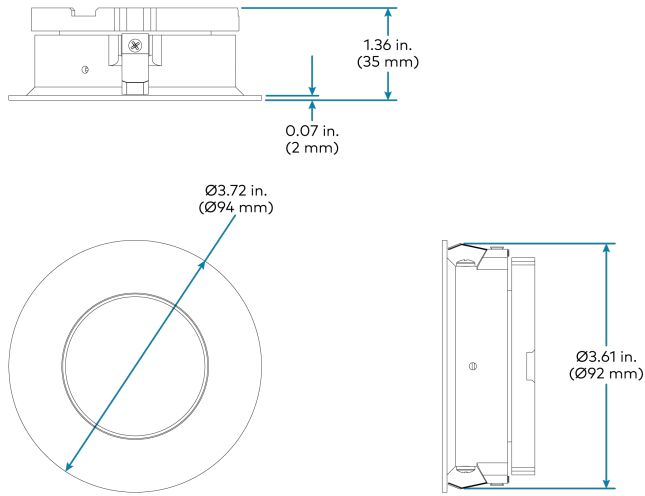
Square, Fixed, Flanged



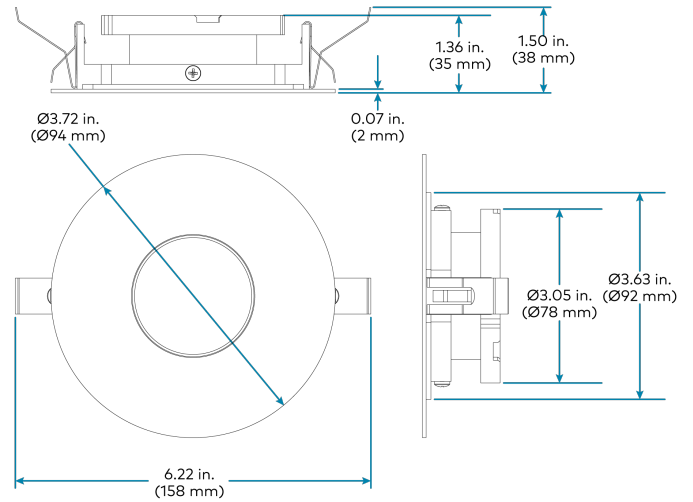
LFX-DL-TRIM

Trims for LFX-DL-TUNC

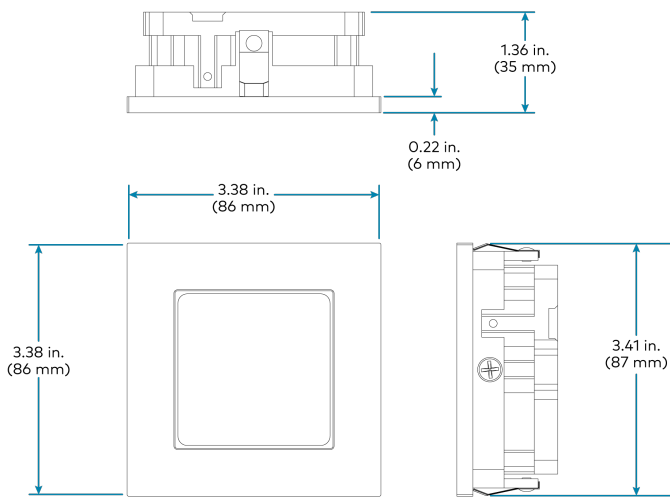
Round, Pinhole, Flangeless



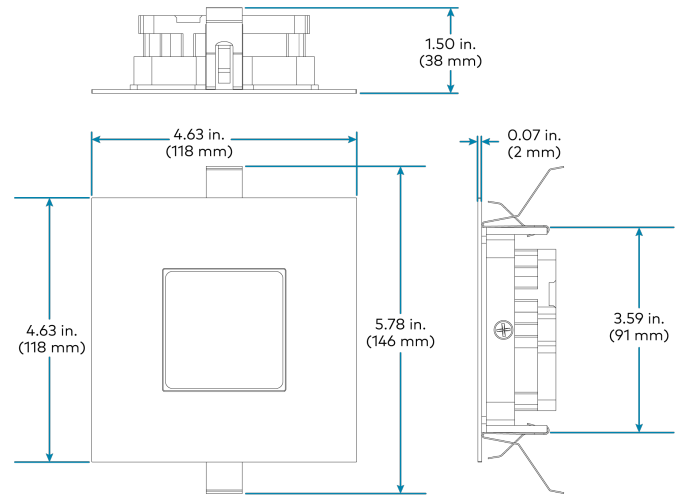
Round, Pinhole, Flanged



Square, Pinhole, Flangeless



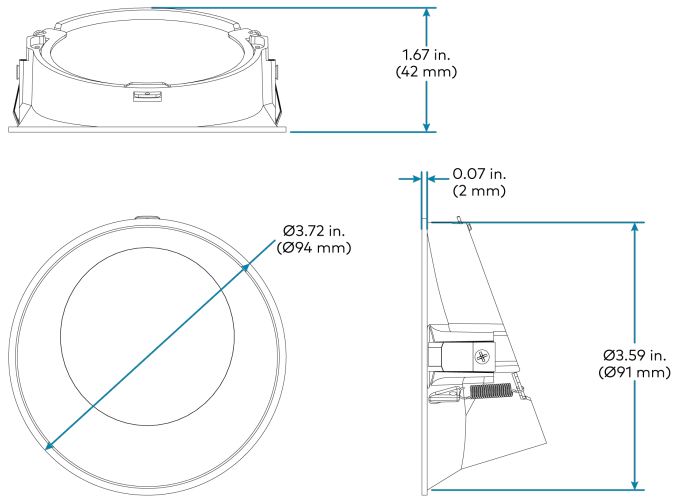
Square, Pinhole, Flanged



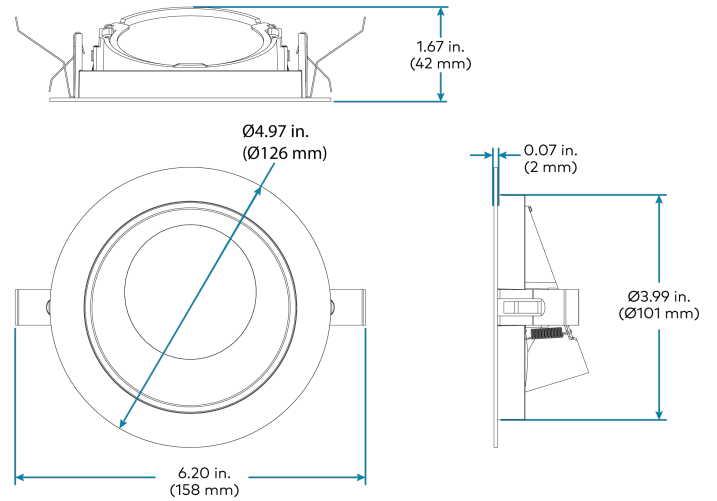
LFX-DL-TRIM

Trims for LFX-DL-TUNC

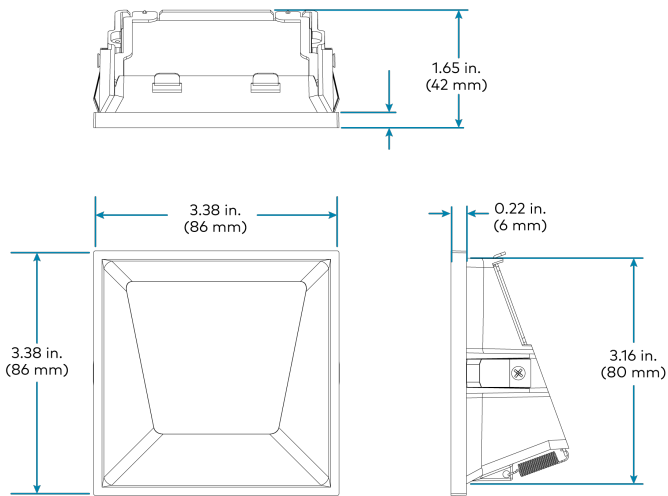
Round, Wallwash, Flangeless



Round, Wallwash, Flanged



Square, Wallwash, Flangeless



Square, Wallwash, Flanged

