

## FlipTop™ FT2 Series Cable Management System, 1400 Size, Electrical, Pass-Through Lid

The Crestron® [FT2-1400-ELEC-PTL](#) FlipTop™ cable management system installs into a table or other horizontal surface to provide modular connectivity. It features two lids that retract separately and disappear within the enclosure. Holding 18 module slots in total, each FT2-1400-ELEC-PTL lid protects a row of nine module slots. The flexible modular design may also be customized with an assortment of Crestron accessories, and the pass-through lid style allows cables to be fully extended while the lids are closed.

For more information about the accessories, please visit [www.crestron.com/Crestron-FlipTops](http://www.crestron.com/Crestron-FlipTops). To configure your FlipTop, launch the [FlipTop Configuration Tool](#).



### In the Box

1 FT2-1400-ELEC-PTL

#### Additional Items

- 4 Locking Bars with screws and gaskets (4532619)
- 1 Cable, DC Power Splitter (2050094)
- 1 Connector, Plug (2003575)
- 1 Holder, Power Supply (2048887)
- 1 Power Cord, 5 ft 10 in. (1.78 m) (2042043)
- 1 Power Pack, 24VDC, 2.5 A, 100-240VAC (2045873)
- 1 Cutout Template (4527605)

## FlipTop™ FT2 Series Cable Management System, 1400 Size, Electrical, Pass-Through Lid



### Mount the FlipTop Assembly

A mounting hole is required for an FT2-1400-ELEC-PTL installation. Use the included template to cut a mounting hole for new installations.

When determining the location for the FT2 assembly, consider where users will be seated and their proximity to the FT2 assembly's modules and retractors. Refer to the [FT2A-CBLR-1T](#) and [FT2A-CBLR-GR](#) series cable retractors for above-the-table cable pull-out lengths.

### Cut the Mounting Hole

A saw and the included cutout template are required to cut the mounting hole.

1. Check the table surface and the area beneath the table. Clear any obstructions that may impede the installation or functionality of the FT2 assembly, retractors, and accessories.
2. Using the included cutout template, trace an outline of the mounting hole onto the table.
3. Cut the mounting hole in the table with an appropriate saw.

### Secure the FlipTop Assembly

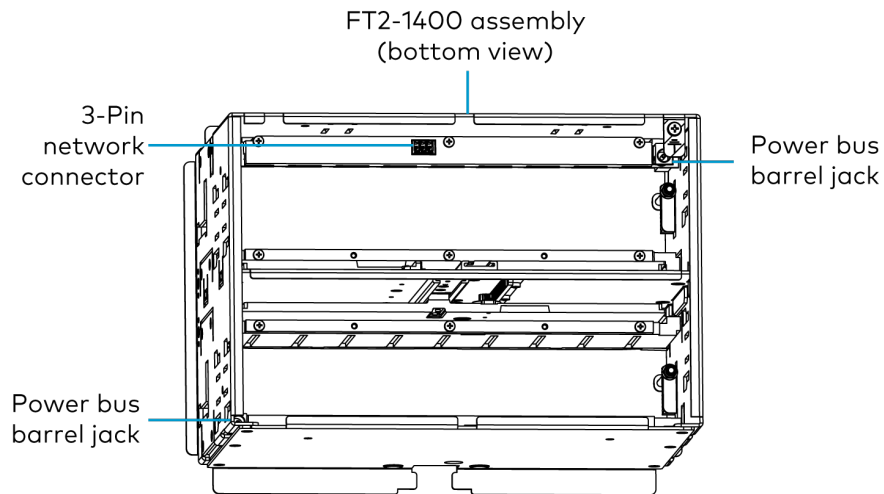
To prepare the FT2-1400-ELEC-PTL and secure it to the table surface:

1. Gently remove the bezel before securing the FT2 assembly to the table. It is held in place with magnets.
2. Locate the included DC power splitter cable.



## FlipTop™ FT2 Series Cable Management System, 1400 Size, Electrical, Pass-Through Lid

- On the underside of the FT2 assembly, locate the power bus and connect the dual-connector ends of the DC power splitter cable to the two barrel jacks of the power bus. The cable will be accessed later in [Connect the FlipTop Assembly](#).

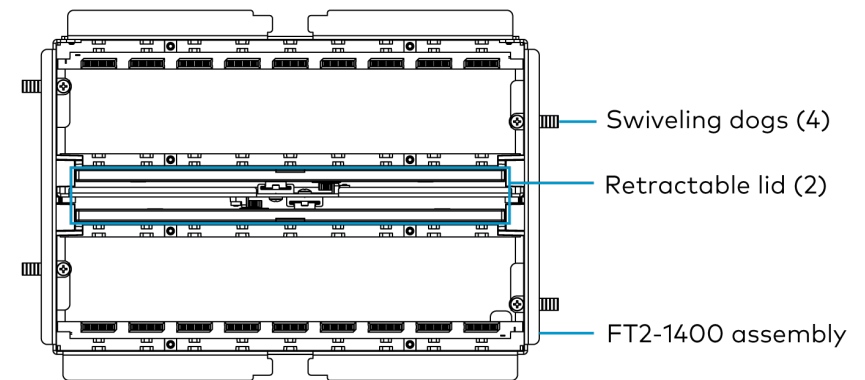


- Ensure that all four swiveling dogs are tucked inside of the FT2 assembly, and then insert the FT2 assembly into the mounting hole until the top lip is flush with the table surface.

- Carefully tighten the four swiveling dogs in each corner of the FlipTop assembly clockwise until the FT2 assembly is secured in place against the table. Do not overtighten the swiveling dogs.

**CAUTION:** A screwdriver or manual torque screwdriver at its lowest setting may be used to tighten the swiveling dogs. Avoid stripping the swiveling dogs and damaging the table.

If removing the FT2-1400-ELEC-PTL from the table, ensure that the screwdriver rotation is set correctly before loosening the swiveling dogs.

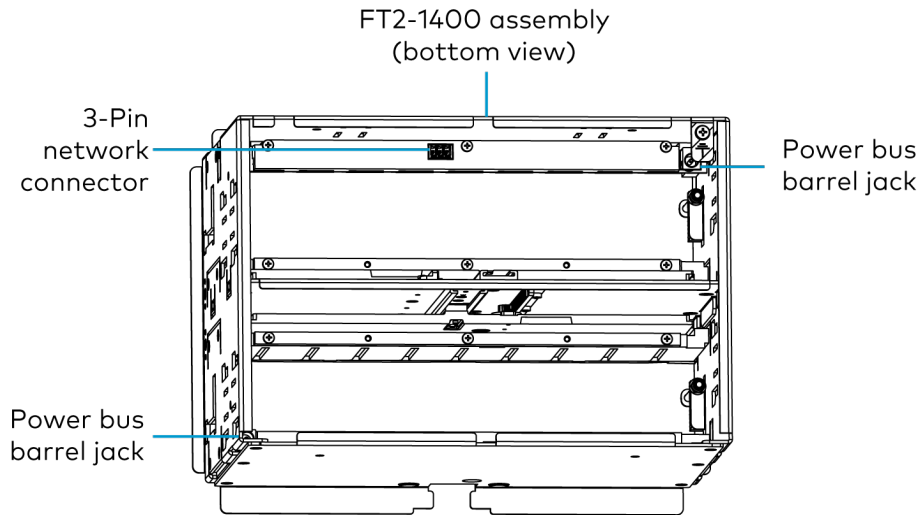


## FlipTop™ FT2 Series Cable Management System, 1400 Size, Electrical, Pass-Through Lid



### Connect the FlipTop Assembly

Access the two network connectors and two power bus barrel jacks on the underside of the FT2 assembly.

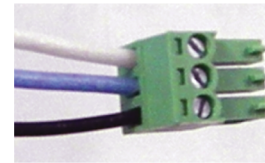


**NOTE:** The second network connector is not visible in the above diagram.

### Connect the Network

Automate the one-touch retractors by connecting all retractors in an FT2 assembly to a control system and a switch, or to a DMPS via a single Cresnet® cable. Custom programming can trigger the retractors after five minutes of no video detected.

Connect the FT2 assembly to a Crestron control system or DMPS3 via the 3-pin connector using standard Cresnet cable. The red power lead is not connected and should be terminated.



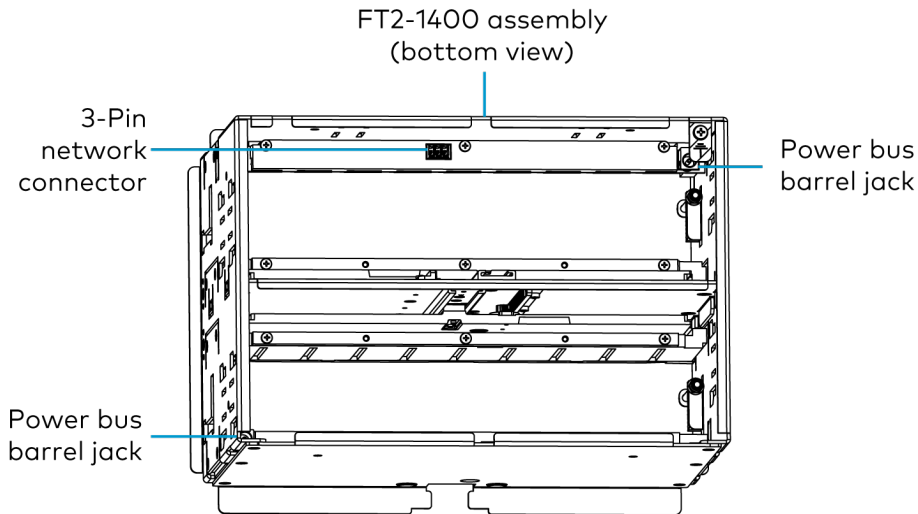
White (Y)  
Blue (Z)  
Black (G)

### Connect and Place the Power Supply

The FT2-1400-ELEC-PTL ships with one 24VDC power supply that is used to supply power to the power bus in the FT2 assembly. There are six possible locations to attach the power supply. Connect the power supply prior to installing any modules.

**NOTE:** Two power supplies are required if installing two rapid charging modules in the FT2-1400-ELEC-PTL. For more information, refer to the [FT2A-CHGR-USBA-BASIC Quick Start Guide \(Doc. 8423\)](#) or [FT2A-CHGR-USBA/C Installation Guide \(Doc. 8219\)](#).

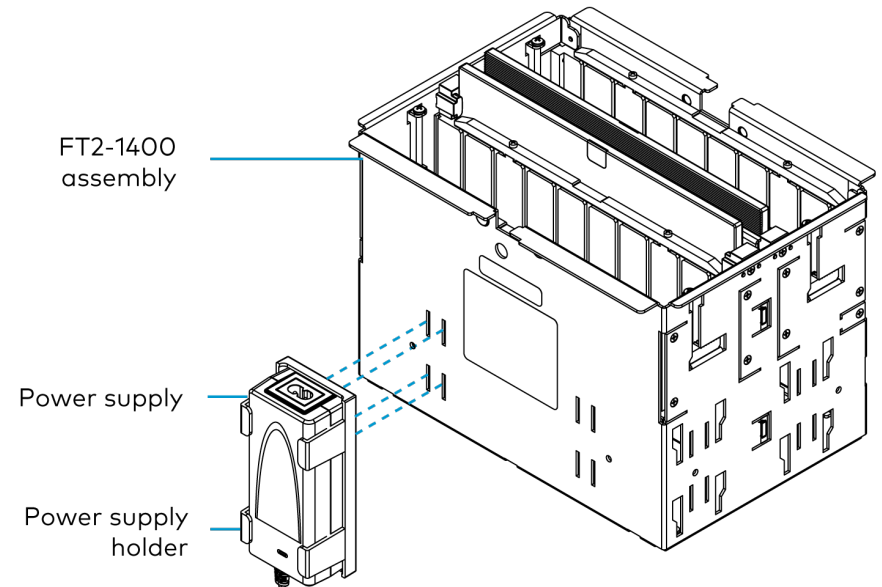
## FlipTop™ FT2 Series Cable Management System, 1400 Size, Electrical, Pass-Through Lid



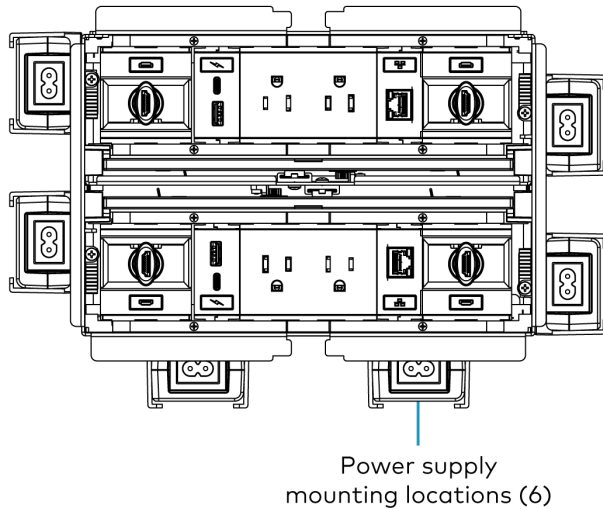
To connect the power supply to the power bus:

1. Underneath the FT2-1400-ELEC-PTL, connect the power supply to the bottom of the power bus.
  - If connecting one power supply, connect the power supply's power cord to the single connector end of the DC power splitter cable. Refer to step 1 in [Secure the FlipTop Assembly](#).
  - If connecting two power supplies, connect each power supply's power cord to a barrel jack in the power bus.
2. Use the two included tie wraps to dress the power cord.
3. Slide the power supply into the power supply holder until it is secured in place.

4. Align the four keyed tabs on the power supply holder with four keyed slots on the FT2 assembly. Then, push the power supply holder up and into the slots so that the keyed tabs engage the wide end of the slots.



## FlipTop™ FT2 Series Cable Management System, 1400 Size, Electrical, Pass-Through Lid



5. Slide the holder downward until it is secured to the FT2 assembly.
6. Connect the included 5 ft 10 in. (1.78 m) power cord to the power jack on top of the power supply.
7. Connect the other end of the power supply to a power source only after all other modules have been installed and all connections have been made to the FlipTop assembly.



### Install the Modules

All modules are sold separately and not included with the FT2-1400-ELEC-PTL FlipTop assembly. Installation procedures for most modules are available in separate product documentation. For more information, refer to the specific product manual located at [www.crestron.com/manuals](http://www.crestron.com/manuals).

The following sections provide best practices and installation procedures for pass-through cable modules and blank plate modules.

### Module Best Practices

Follow the best practices below when performing module installation.

- Perform module installation in the following order:
  1. AC Power Outlet Modules ([FT2A-PWR-US](#), [FT2A-PWR-EU](#), [FT2A-PWR-AU](#), [FT2A-PWR-FR](#), [FT2A-PWR-IS](#), [FT2A-PWR-IT](#), [FT2A-PWR-SW](#), [FT2A-PWR-UK](#), and [FT2A-PWR-UN](#))
  2. Retractor modules ([FT2A-CBLR-1T](#) series and [FT2A-CBLR-GR](#) series)
  3. All other modules ([FT2A-CP](#) series, [FT2A-CHGR](#) series, [FT2A-PLT-PT](#), and [FT2A-PLT-BLANK](#))
- Place the FT2A-CBLR-GR modules only at the ends of a module row.
- Dress all cables after installing each module.

### Pass-Through Cable Module

The FT2A-PLT-PT pass-through modules (sold separately) enable FT2-CBL-PT pass-through cables (sold separately) and other types of interface cables to be installed within the FT2-1400-ELEC-PTL. Each FT2A-PLT-PT cable module is packaged with a nylon grommet and a cable plate. An empty module slot in the FT2-1400-ELEC-PTL and an FT2-CBL-PT series or other interface cable are required for installation.

### Installing the Pass-Through Cable Module with 4K Cables

The included grommet is not needed when installing most 4K cables. If the cable is 10 mm or thinner, the grommet may be used.

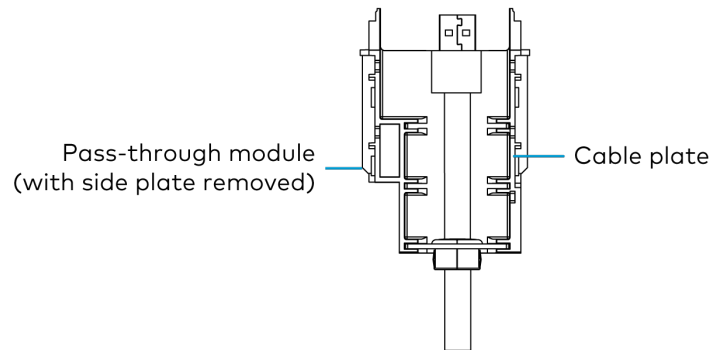
1. Push the connector end of the cable through the hole in the cable plate.

## FlipTop™ FT2 Series Cable Management System, 1400 Size, Electrical, Pass-Through Lid

2. Insert the cable plate into one of the three slots in the pass-through module. Choose the appropriate slot based on the length of the cable connector. The top of the connector must sit flush with the top of the module.

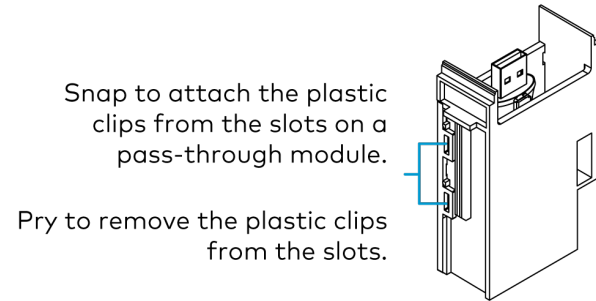
### NOTES:

- If the connector extends past the top of the pass-through module, the lid cannot close.
- Ensure that the cable moves freely in the module prior to attaching the side plate. The plate is difficult to remove once it is attached.



3. Attach the side plate to the module by snapping the plastic clips on the plate into the two slots on the module.

**NOTE:** When removing the side plate, use a flat-head screwdriver to carefully pry the plastic clips off of the module near the two slots.



4. Feed the other end of the cable through an empty module slot in the FT2 assembly.
5. Slide the pass-through cable module into the same module slot as mentioned in the previous step. Use the guide ribs on the front and rear of each module to help position the module in the FT2 assembly.

### Installing the Pass-Through Cable Module with Non-4K Cables

The grommet is recommended to use with cables that are 10 mm or thinner.

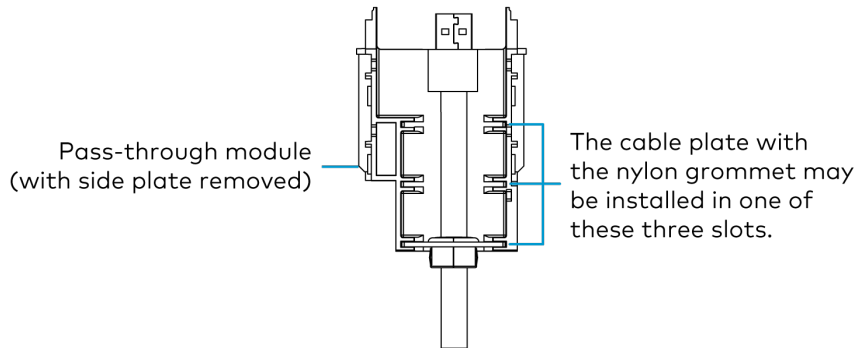
1. Open the grommet.
2. Insert a cable into the grommet with the connector facing up toward the user.
3. Press the grommet back together to secure the cable inside.
4. Push the grommet and cable through the hole in the cable plate.

## FlipTop™ FT2 Series Cable Management System, 1400 Size, Electrical, Pass-Through Lid

5. Insert the cable plate into one of the three slots in the pass-through module. Choose the appropriate slot based on the length of the cable connector. The top of the connector must sit flush with the top of the module.

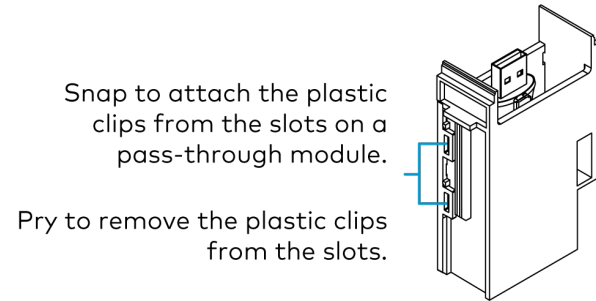
### NOTES:

- If the connector extends past the top of the pass-through module, the lid cannot close.
- Ensure that the cable moves freely in the module prior to attaching the side plate. The plate is difficult to remove once it is attached.



6. Attach the side plate to the module by snapping the plastic clips on the plate into the two slots on the module.

**NOTE:** When removing the side plate, use a flat-head screwdriver to carefully pry the plastic clips off of the module near the two slots.



7. Feed the other end of the cable through an empty module slot in the FT2 assembly.
8. Slide the pass-through cable module into the same module slot as mentioned in the previous step. Use the guide ribs on the front and rear of each module to help position the module in the FT2 assembly.



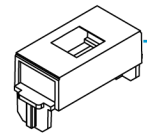
## FlipTop™ FT2 Series Cable Management System, 1400 Size, Electrical, Pass-Through Lid

### Install the Blank and Keystone Plate Module

Blank plate modules (sold separately) fill empty slots in module rows, and keystone plate modules (sold separately) allow for cables terminated with standard keystone jacks to be installed in the FT2 assembly. The blank and keystone modules each require one empty module slot for installation.



Blank plate module



Keystone plate module

To install a blank or keystone plate module into the FT2-1400-ELEC-PTL:

- Slide the blank plate module down into the appropriate module slot. Use the guide ribs on the front and rear of each module to help position it in the FT2 assembly.
- For the keystone plate module, complete the following steps.
  1. Snap the cable's keystone jack into the keystone opening in the keystone plate module.
  2. Feed the cable down through the empty module slot.
  3. Slide the attached keystone plate module down into the same module slot using the front and rear guide ribs to assist with positioning.

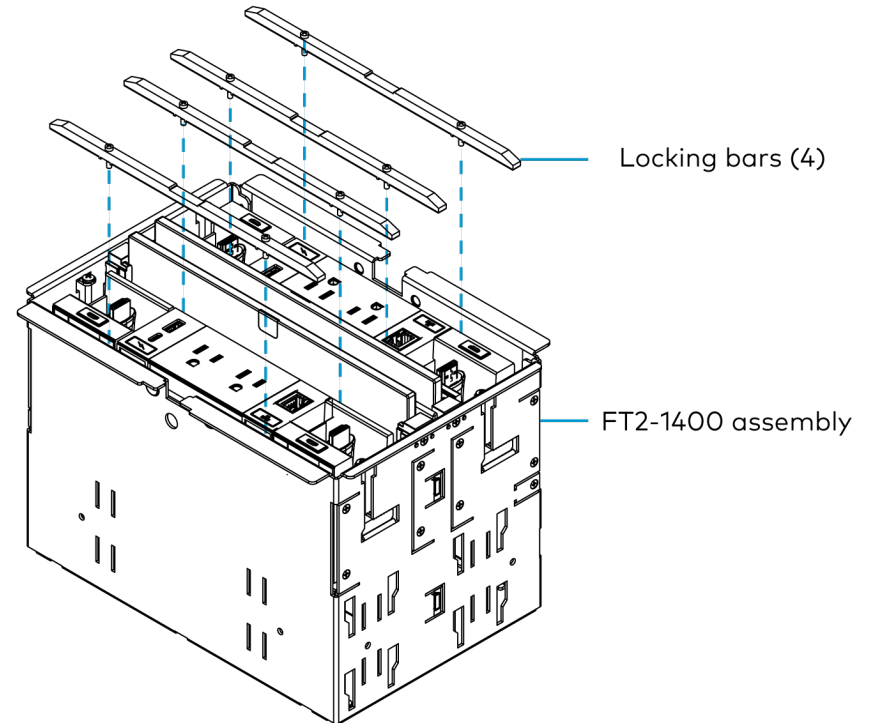


### Install the Locking Bars

To install the locking bars:

1. Position the locking bars so that the gasket and screws attached to the locking bars engage the screw holes in the FT2 assembly.
2. Use a screwdriver to secure the locking bar screws to the FT2 assembly.

**CAUTION:** Do not overtighten the locking bar screws.

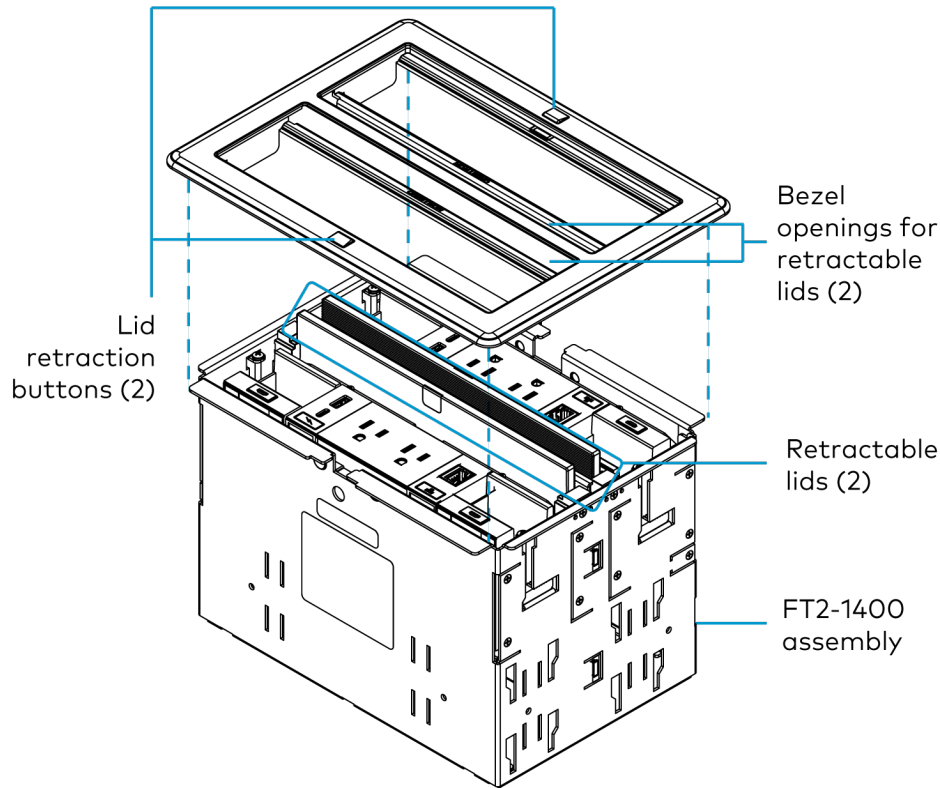


## FlipTop™ FT2 Series Cable Management System, 1400 Size, Electrical, Pass-Through Lid



### Install the Bezel

Place the bezel onto the FT2 assembly so that the retractable lid fits inside the bezel opening. The bezel is held in place using magnets.



### Operate the FlipTop Assembly

To operate the FT2-1400-ELEC-PTL:

1. Open the lid by sliding the lid retraction button away from the FT2 assembly. The lid retracts into the assembly.
2. Access the modules in the FT2 assembly.
3. Close the lid by lifting it vertically and returning it over the FT2 assembly.



### Visit the Product Page

Scan the QR code to visit the product page.

FT2-1400-ELEC-PTL



[www.crestron.com/model/6511658](http://www.crestron.com/model/6511658)

## FlipTop™ FT2 Series Cable Management System, 1400 Size, Electrical, Pass-Through Lid

### Additional Information

#### Original Instructions

The U.S. English version of this document is the original instructions. All other languages are a translation of the original instructions.

**Regulatory Models:** FT2-1400-ELEC-AL, FT2-1400-ELEC-B

Crestron product development software is licensed to Crestron dealers and Crestron Service Providers (CSPs) under a limited nonexclusive, nontransferable Software Development Tools License Agreement. Crestron product operating system software is licensed to Crestron dealers, CSPs, and end-users under a separate End-User License Agreement. Both of these Agreements can be found on the Crestron website at [www.crestron.com/legal/software\\_license\\_agreement](http://www.crestron.com/legal/software_license_agreement).

The product warranty can be found at [www.crestron.com/warranty](http://www.crestron.com/warranty).

The specific patents that cover Crestron products are listed at [www.crestron.com/legal/patents](http://www.crestron.com/legal/patents).

Certain Crestron products contain open source software. For specific information, visit [www.crestron.com/opensource](http://www.crestron.com/opensource).

Crestron, the Crestron logo, Cresnet, and FlipTop are either trademarks or registered trademarks of Crestron Electronics, Inc. in the United States and/or other countries. Other trademarks, registered trademarks, and trade names may be used in this document to refer to either the entities claiming the marks and names or their products. Crestron disclaims any proprietary interest in the marks and names of others. Crestron is not responsible for errors in typography or photography.

©2021 Crestron Electronics, Inc.

Doc. 9089A

11/05/21