

# Touchpanel Mounting

## Congratulations on your purchase of a Crestron touchpanel!

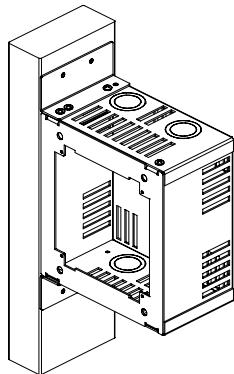
**NOTE: Please read prior to touchpanel installation.**

Crestron offers an assortment of mounting options for its Series 1000, TPS-2000L, and TPS-3000L Series touchpanels. There are pre- and post-construction options as well as pre-construction accessories.

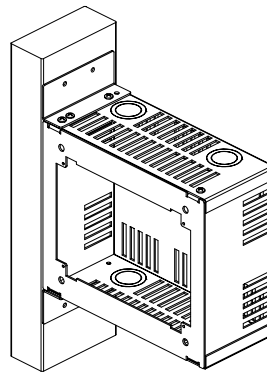
### Pre-Construction Options

Pre-construction refers to framed walls prior to hanging drywall. Pre-construction options require access to an adjacent structural support (i.e., stud) so that the mounting option can be directly secured.

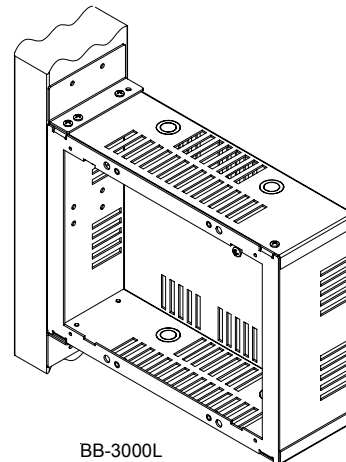
- **Pre-Construction Option - Back Box Kit or BB**



BB-1000L

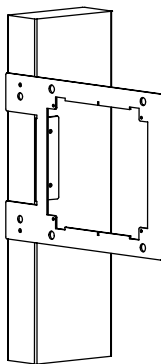


BB-2000L

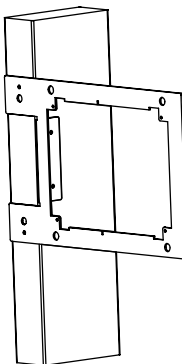


BB-3000L

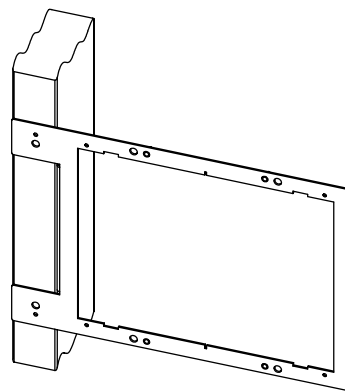
- **Pre-Construction Option - Pre-Construction Mount Kit or PMK**



PMK-1000L



PMK-2000L



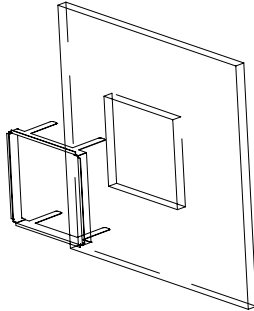
PMK-3000L

## Pre-Construction Accessories

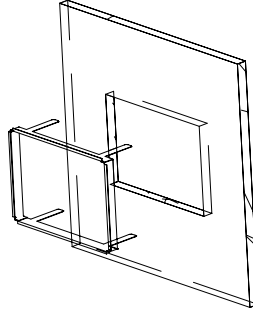
An accessory is necessary to compensate for minor and larger drywall cutout imperfections realized after hanging drywall over a pre-construction option. To obtain a finished appearance within a neatly trimmed cutout, use the Trim Mount Kit (or TMK). This kit is perfect for wallpapering.

If the cutout made for the touchpanel is too large, use the Mud Mount Kit (or MMK). This kit provides the appropriate framing needed to fill in the gap with additional plastering and provide the support to hide large irregularities in the touchpanel cutout.

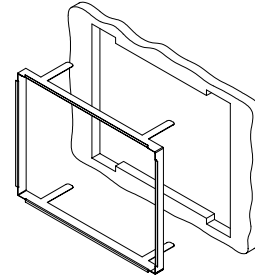
- **Pre-Construction Accessory - Trim Mount Kit or TMK**



TMK-1000L

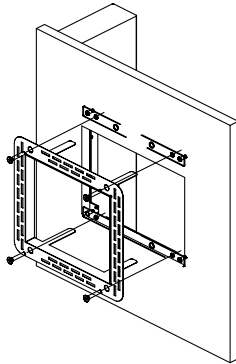


TMK-2000L

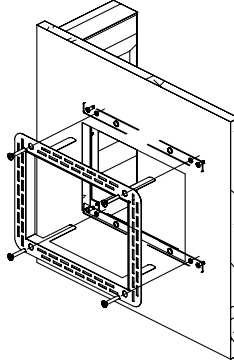


TMK-3000L

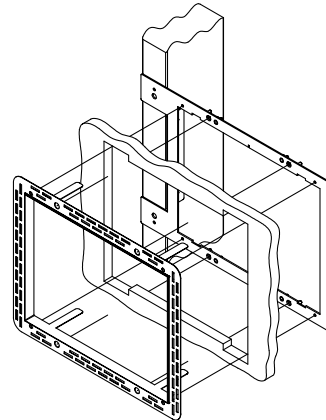
- **Pre-Construction Accessory - Mud Mount Kit or MMK**



MMK-1000L



MMK-2000L

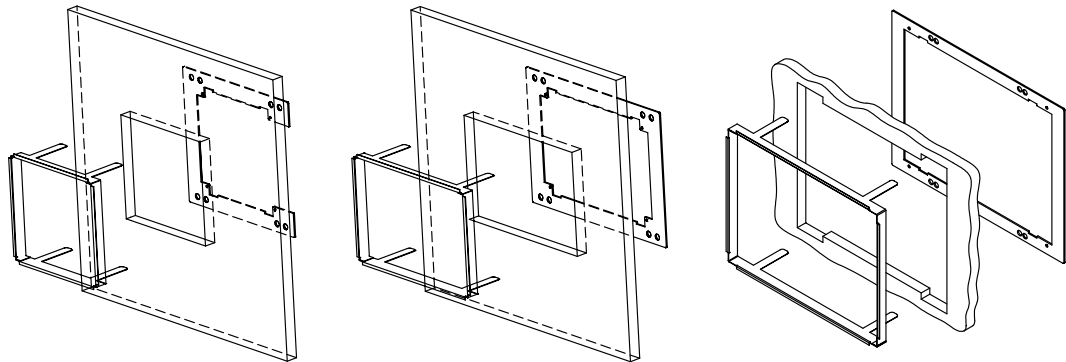


MMK-3000L

### Post-Construction Options

Post-construction refers to framed walls or other mounting surfaces that do not allow for the direct placement of the mounting option to a stud or similar adjacent structural support. In most post-construction options, a mounting plate that provides the necessary support along the inside edge of the cutout is provided. The touchpanel is secured to the mounting plate so that the cutout can be located away from or in the absence of other structural supports.

- **Post-Construction Option - Wall Mount Kit with Trim ring or WMKT**

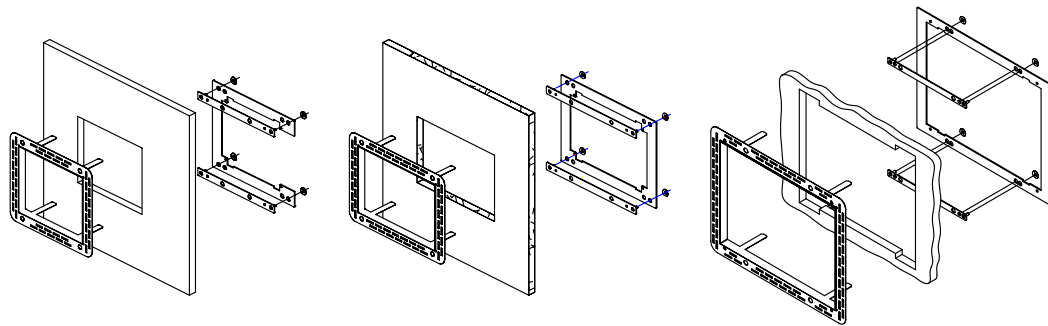


WMKT-1000L

WMKT-2000L

WMKT-3000L

- **Post-Construction Option - Wall Mount Kit with Mud ring or WMKM**



WMKM-1000L

WMKM-2000L

WMKM-3000L

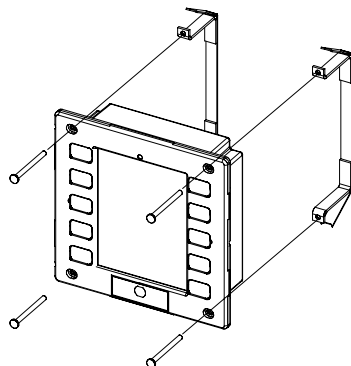
---

**NOTE:** These six mounting options are available separately from the actual touchpanel.

---

Another mounting option for the Series 1000 touchpanel uses two brackets to secure the panel to a cutout in the wall. A mounting plate is not required.

- **Post-Construction Option - WMKB-1000L**



Refer to the tables below for a complete list of Crestron mounting options and respective Installation Guides for Series 1000, TPS-2000L, and TPS-3000L Series touchpanels. The Crestron website ([www.crestron.com/downloads/product\\_manuals.asp](http://www.crestron.com/downloads/product_manuals.asp)) provides an alphabetical list (sorted by model number) of hardware product manuals in PDF format.

For any custom mounting that would not use an approved Crestron mounting option, refer to CresCAD drawings for exact product dimensions and screw locations. Drawings are available from the Crestron website ([www.crestron.com/downloads/product\\_cad\\_drawings.asp](http://www.crestron.com/downloads/product_cad_drawings.asp)).

### Series 1000 Mounting Options

PRE-CONSTRUCTION	POST-CONSTRUCTION	MODEL #	DOCUMENT #
Back Box Kit	-	BB-1000L	6060
Pre-Construction Mount Kit	-	PMK-1000L	6061
Mud Mount Kit (accessory)	-	MMK-1000L	6062
Trim Mount Kit (accessory)	-	TMK-1000L	6063
-	Wall Mount Kit - Mud	WMKM-1000L	6062
-	Wall Mount Kit - Trim	WMKT-1000L	6063
-	Wall Mount Kit - Bracket	WMKB-1000L	6283
-	Water Resistant Cover*	CT/LC-WPK	5932

\* Cover can be placed over installed touchpanel.

### TPS-2000L Mounting Options

PRE-CONSTRUCTION	POST-CONSTRUCTION	MODEL #	DOCUMENT #
Back Box Kit	-	BB-2000L	5973
Pre-Construction Mount Kit	-	PMK-2000L	6018
Mud Mount Kit (accessory)	-	MMK-2000L	6025
Trim Mount Kit (accessory)	-	TMK-2000L	6026
-	Wall Mount Kit - Mud	WMKM-2000L	6025
-	Wall Mount Kit - Trim	WMKT-2000L	6026
-	Water Resistant Cover*	TPS-WPK	5993

\* Cover can be placed over installed touchpanel.

### TPS-3000L Series Mounting Options

PRE-CONSTRUCTION	POST-CONSTRUCTION	MODEL #	DOCUMENT #
Back Box Kit	-	BB-3000L	6022
Pre-Construction Mount Kit	-	PMK-3000L	6024
Mud Mount Kit (accessory)	-	MMK-3000L	6021
Trim Mount Kit (accessory)	-	TMK-3000L	6020
-	Wall Mount Kit - Mud	WMKM-3000L	6021
-	Wall Mount Kit - Trim	WMKT-3000L	6020
-	Rack Mount Kit	RMK-TPS3000L	6023

## Further Inquiries

If after reviewing this Quick Start, you cannot locate specific information or have questions, please take advantage of Crestron's award winning customer service team by calling:

- In the US and Canada, call Crestron's corporate headquarters at 1-888-CRESTRON [1-888-273-7876].
- In Europe, call Crestron International at +32-15-50-99-50.
- In Asia, call Crestron Asia at +852-2341-2016.
- In Latin America, call Crestron Latin America at +5255-5093-2160.
- In Australia and New Zealand, call Crestron Pacific at +613-9480-2999.