



Description

The Crestron® CSA-PWS-TBLOCK-2 and CSA-PWS-TBLOCK-3 provide power to a CSA-PWS10S-HUB-ENET when they are mounted in a CAEN enclosure. The CSA-PWS-TBLOCK-2 powers up to two CSA-PWS10S-HUB-ENETs in a CAEN-1x1 and the CSA-PWS-TBLOCK-3 powers up to three CSA-PWS10S-HUB-ENETs in a CAEN-2x1.

Additional Resources

Visit the product page on the Crestron website (www.crestron.com) for additional information and the latest firmware updates. Use a QR reader application on your mobile device to scan the QR image.



Installation

Mount the CSA-PWS-TBLOCK-2 and CSA-PWS-TBLOCK-3 components in a CAEN enclosure. Then, wire the system.

WARNING: To avoid fire, shock, or death, turn off the power at the circuit breaker or fuse and test that the power is off before wiring!

NOTE: Observe the following points:

- Install and use this product in accordance with appropriate electrical codes and regulations.
- A licensed electrician should install this product.

Install the Components

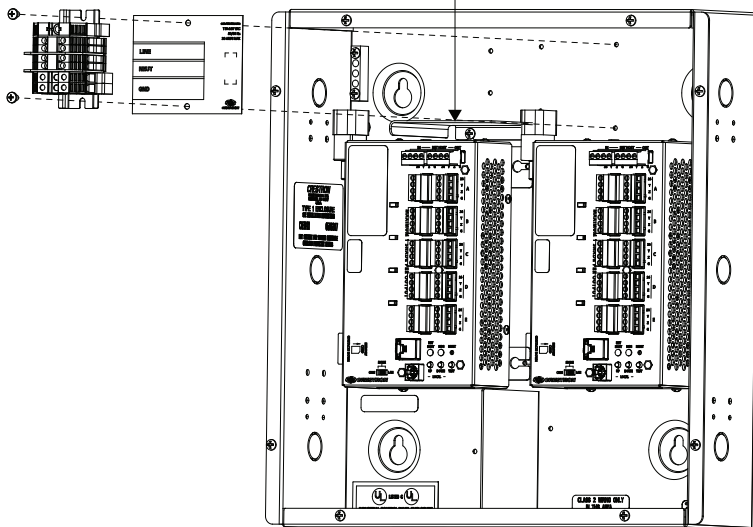
Install the terminal block label, terminal block and DIN rail, and power supplies (power supplies not included) in the CAEN enclosure. To mount the power supplies, refer to the CSA-PWS10S-HUB-ENET Installation Guide (Doc. 7906) at www.crestron.com/manuals.

NOTE: Remove the barrier that is installed in the CAEN-1x1 cabinet.

Mount the components according to the following illustrations.

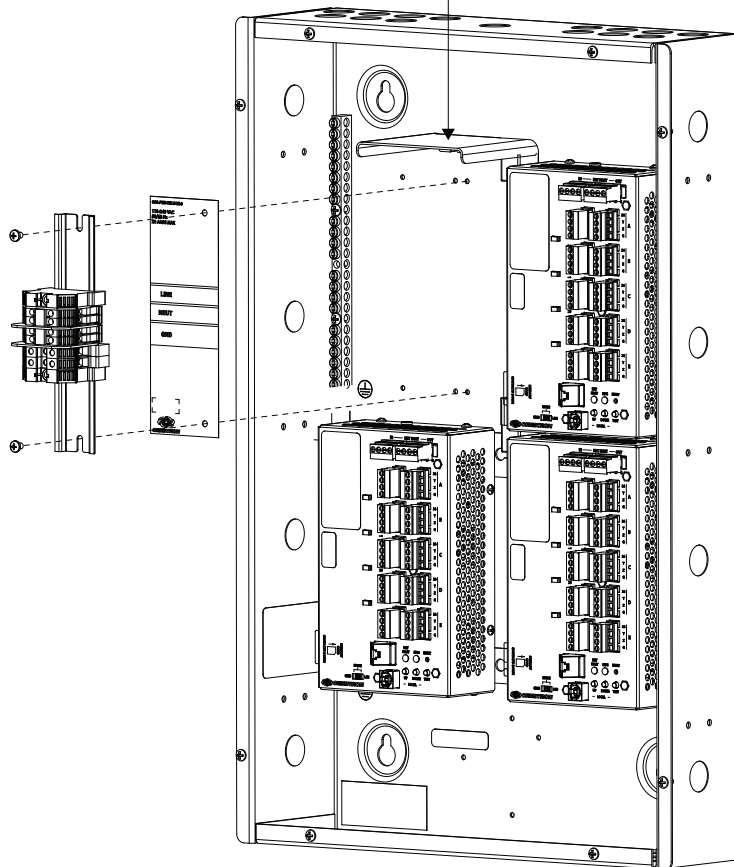
Installing the CSA-PWS-TBLOCK-2

Remove barrier to facilitate wiring.



Installing the CSA-PWS-TBLOCK-3

If necessary, remove barrier to facilitate wiring.



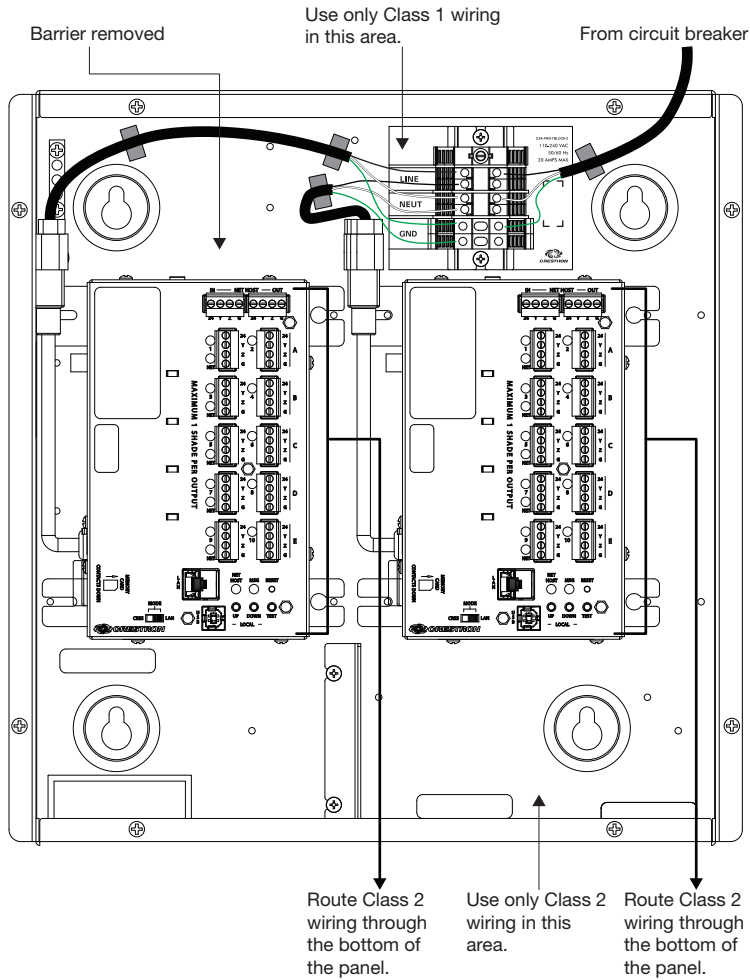
Wire the System

Wire the system according to the illustrations below. When making low-voltage connections to the power supply, refer to the CSA-PWS10S-HUB-ENET Installation Guide (Doc. 7906).

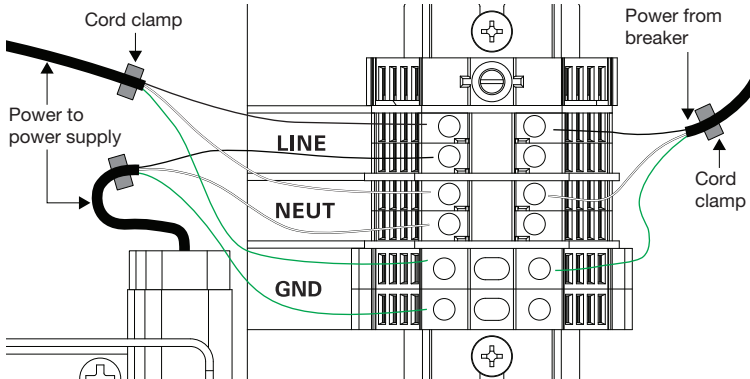
NOTE: Separate Class 1 and Class 2 wires.

NOTE: Use cord clamps to secure the cables and ensure that Class 1 and Class 2 wires are separated. Cord clamp installation location is indicated in gray.

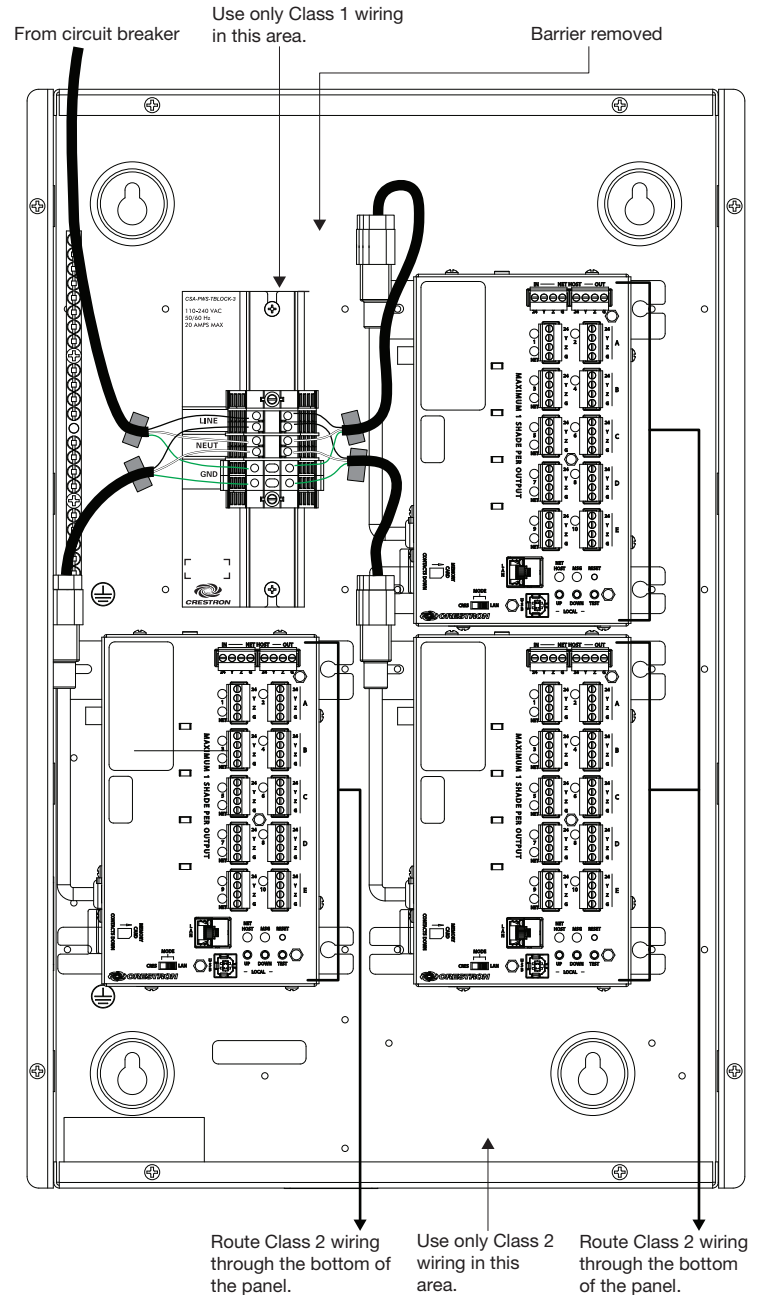
Wire the CSA-PWS-TBLOCK-2



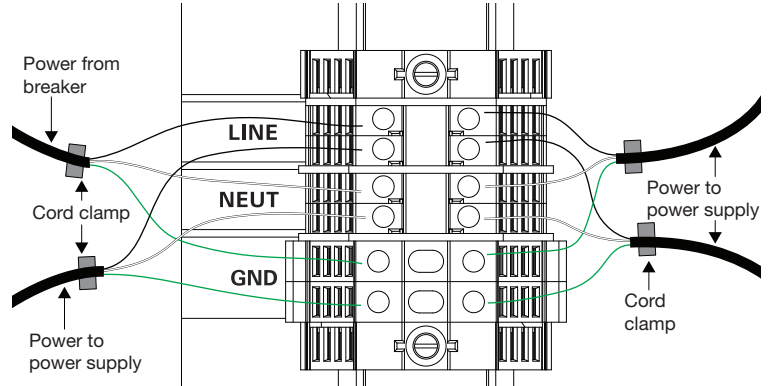
Terminal Block Wiring Details



Wire the CSA-PWS-TBLOCK-3



Terminal Block Wiring Details



The product warranty can be found at www.crestron.com/warranty.

The specific patents that cover Crestron products are listed at patents.crestron.com.

Certain Crestron products contain open source software. For specific information, please visit www.crestron.com/opensource.

Crestron and the Crestron logo are either trademarks or registered trademarks of Crestron Electronics, Inc. in the United States and/or other countries. Other trademarks, registered trademarks, and trade names may be used in this document to refer to either the entities claiming the marks and names or their products. Crestron disclaims any proprietary interest in the marks and names of others. Crestron

is not responsible for errors in typography or photography.

This document was written by the Technical Publications department at Crestron.

©2017 Crestron Electronics, Inc.

Crestron Electronics, Inc.
15 Volvo Drive Rockleigh, NJ 07647
Tel: 888.CRESTRON
Fax: 201.767.7576
www.crestron.com

Installation Guide - DOC. 7988A
(2048827)
05.17

Specifications subject to change without notice.