

Crestron **WMKT-V12**

Trim Ring Mount Kit

Installation Guide



This document was prepared and written by the Technical Documentation department at:



Crestron Electronics, Inc.
15 Volvo Drive
Rockleigh, NJ 07647
1-888-CRESTRON

Industry Compliance

As of the date of manufacture, the WMKT-V12 has been tested and found to comply with specifications for CE marking and standards per EMC and Radiocommunications Compliance Labelling.



Contents

Trim Ring Mount Kit: WMKT-V12	1
Description.....	1
Setup.....	2
Supplied Hardware.....	2
Installation.....	4
Resources.....	8
Further Inquiries.....	8
Future Updates.....	8
Return and Warranty Policies.....	9
Merchandise Returns / Repair Service.....	9
CRESTRON Limited Warranty.....	9

Trim Ring Mount Kit: WMKT-V12

Description

The WMKT-V12 mounting kit provides a quick solution for installing a V12-WALL V-Panel 12" Wall Mount Touchpanel display in an existing wall, lectern, or similar flat surface. It is also compatible with the WMKC-V12 Wall Mount Conversion Kit. Designed for post-construction applications, the WMKT-V12 includes a trim ring to provide a smooth edge around the cutout opening.

NOTE: For concrete and rock mounting material, allow for proper ventilation before mounting the touchpanel.

NOTE: If necessary, consult the latest version of the V12-WALL and WMKC-V12 Installation Guide (Doc. 6893) for a complete list of mounting options. This document is available from the Crestron website (www.crestron.com/manuals).

Setup

Supplied Hardware

The WMKT-V12 consists of a metal trim ring, mounting plate, screws, and a cutout template.

The mounting plate provides the necessary support for installation in a wall, lectern, podium or a similar flat surface. An overlay cutout template (4508668) is supplied and is the shape of the required opening. Refer to the illustration on page 4.

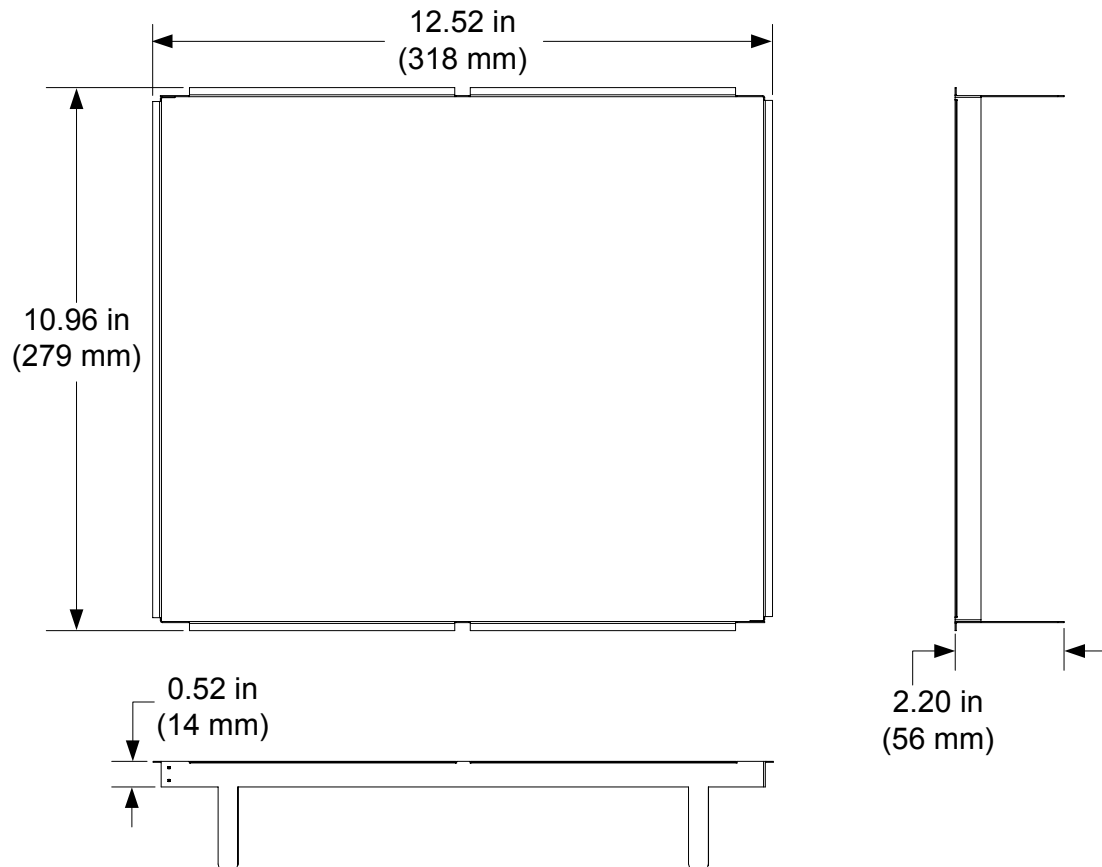
The hardware supplied with the WMKT-V12 is listed in the following table.

Supplied Hardware for the WMKT-V12

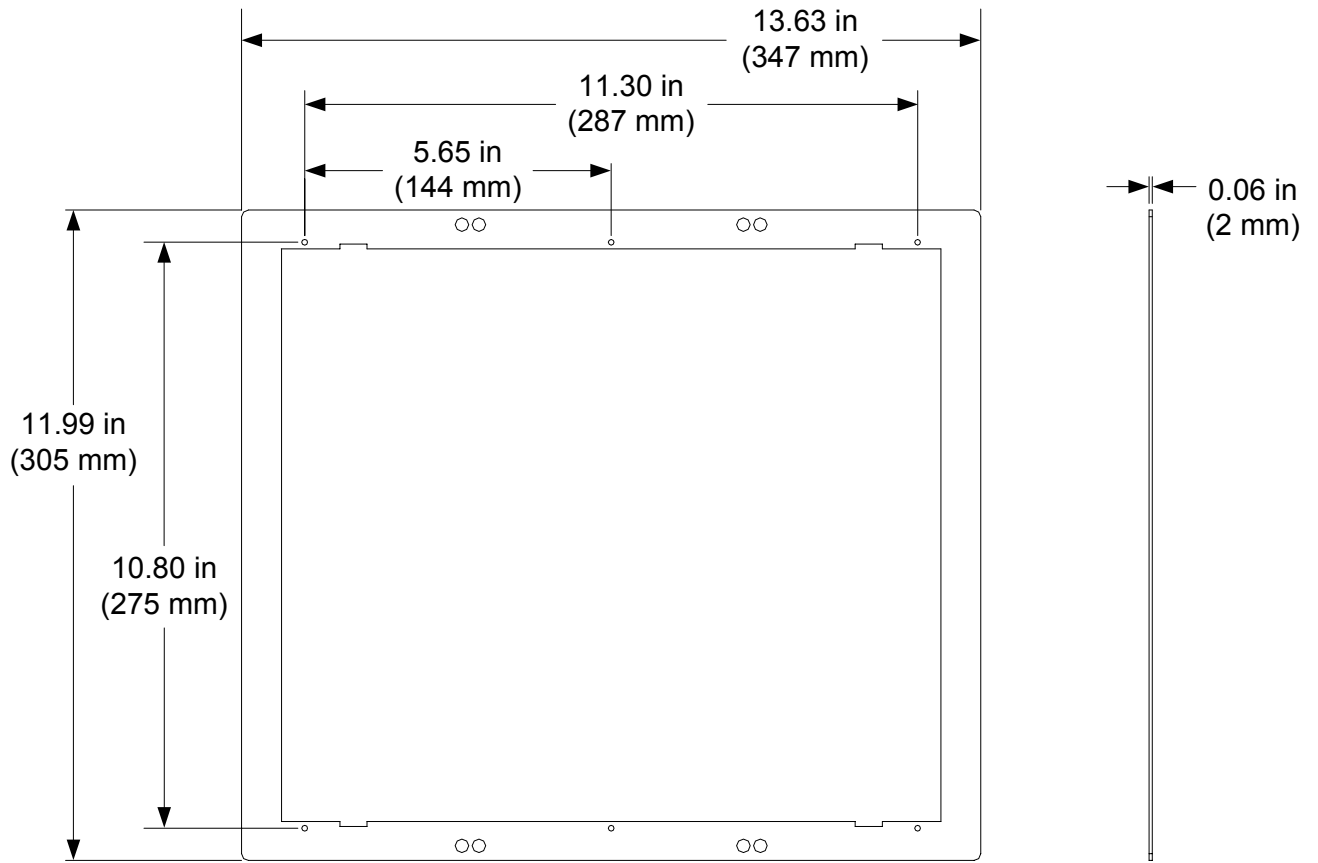
DESCRIPTION	PART NUMBER	QUANTITY
Metal Trim Ring	2024535	1
Metal, Plate, Mounting	2024536	1
Overlay, Template, Wall Cutout	4508668	1
Screw, #06-32 x 1 1/2", Pan, Phil	2007254	6

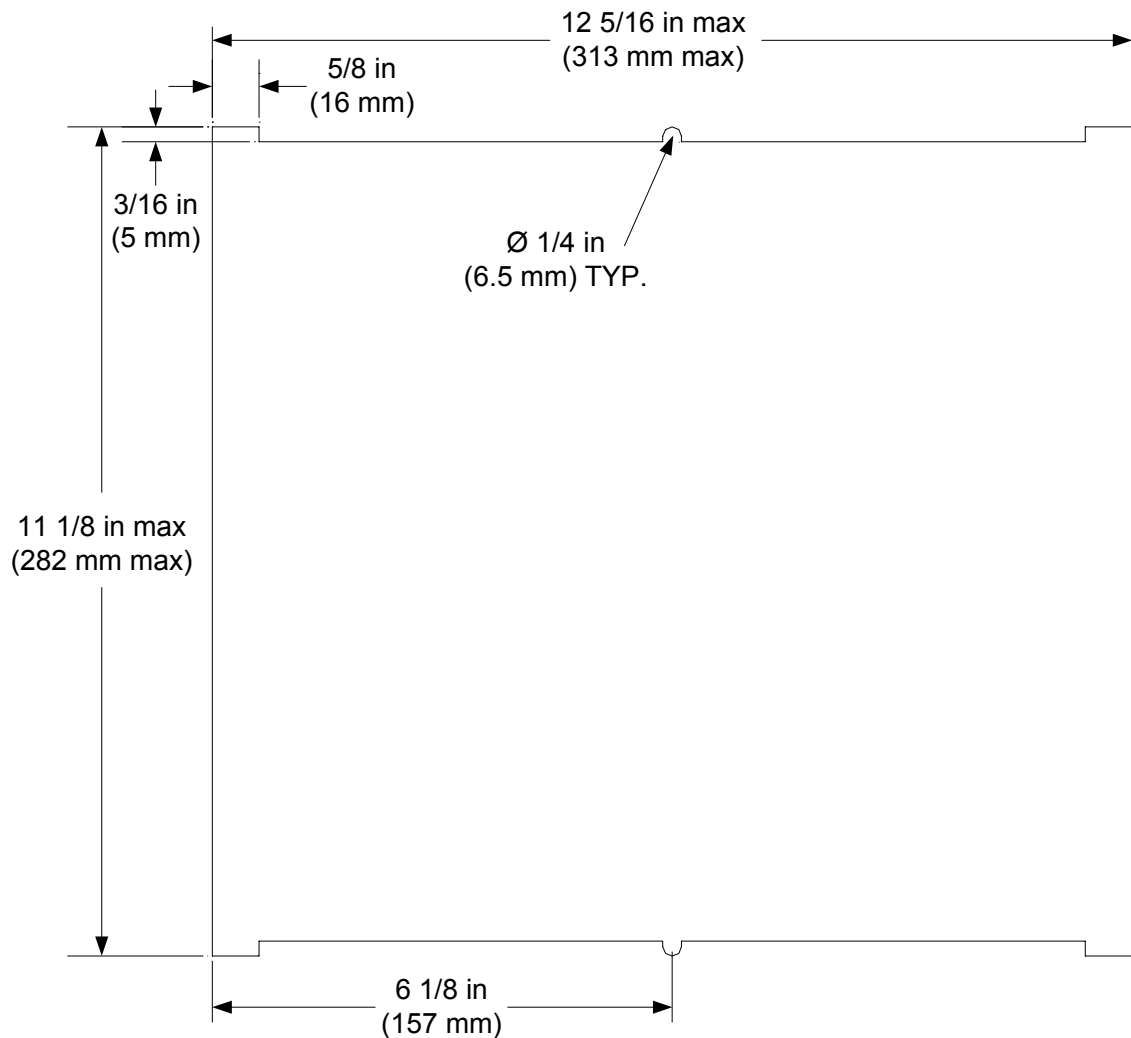
The dimensions of the WMKT-V12 are shown below.

Overall Dimensions (Trim Ring)



Overall Dimensions (Mounting Plate)



Overall Dimensions (Cutout Template)

Installation

This section provides the necessary steps for the assembly and installation of the WMKT-V12 into a mounting surface. Review the procedure first, then complete the steps in the order provided. The only tools or materials required and not supplied are an appropriate saw and a level.

CAUTION: Allow an air gap of at least 12 inches (305 mm) in the mounting location above and below the touchpanel for heat dissipation.

NOTE: The WMKT-V12 has been optimized for mounting in 5/8" (15 mm) drywall. You may use 1/2" – 1" (12.5 – 25 mm) without issue. Thinner or thicker drywall will cause issues with the installation.

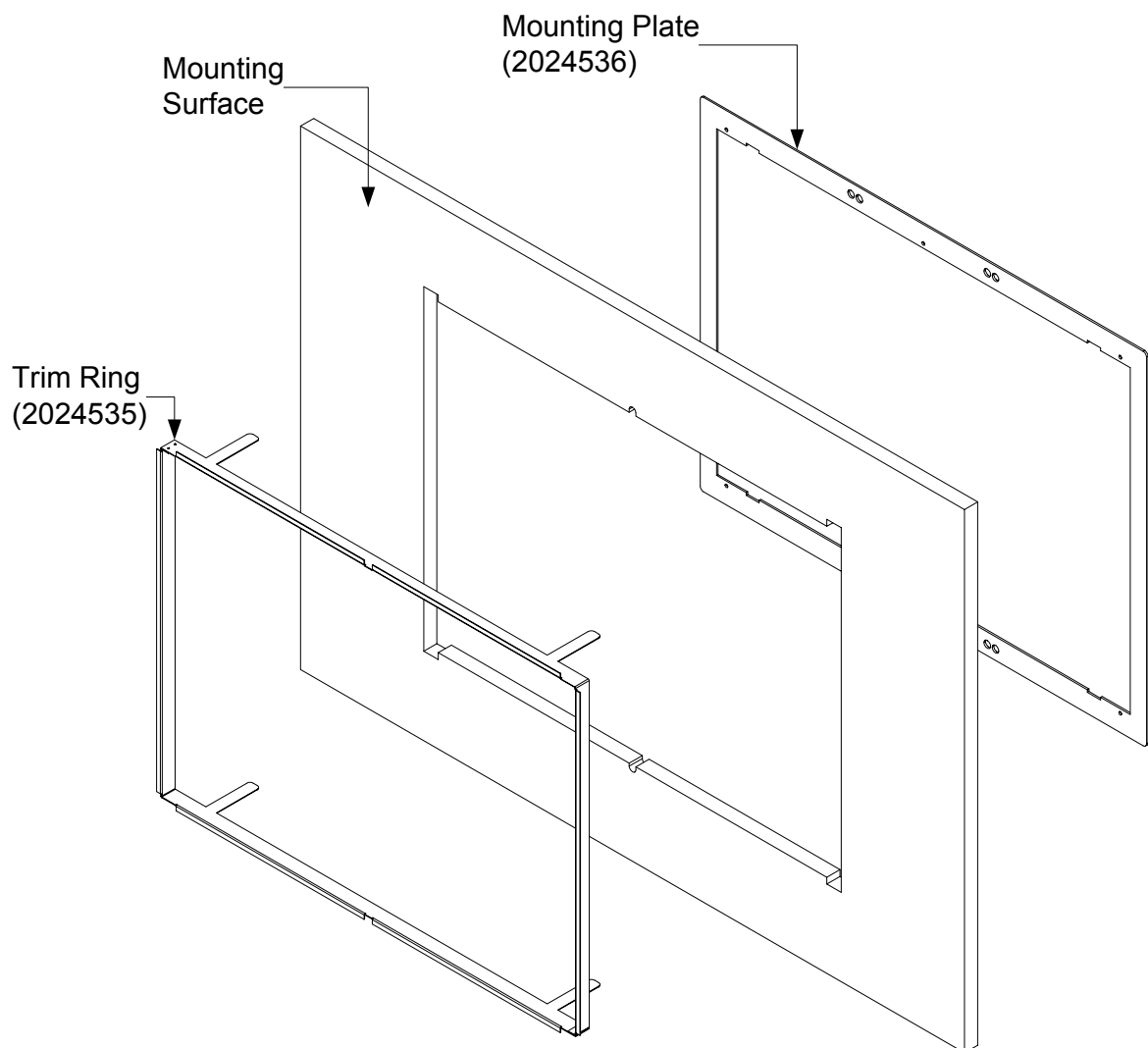
1. Locate an area on the mounting surface that is free of miscellaneous wiring and studs.
2. Make a small hole near the middle of the designated site; verify that the location is suitable.

NOTE: Make the cutout as level and smooth as possible. The mounting plate allows for only minor leveling adjustments. If a larger cutout is made accidentally and the mounting surface can have joint compound applied to it, consider purchasing the Crestron Mud Mount Kit, MMK-V12. Together with the mounting plate supplied with the WMKT-V12, it provides a cost-effective means of correction. Essentially, the combination of these two kits makes up the Crestron Mud Mount Kit for the wall, WMKM-V12. Simply follow the “WMKM-V12 Procedure” in the latest version of the MMK-V12 and WMKM-V12 Mud Mount Kits Installation Guide (Doc. 6892).

3. Use an appropriate saw and the provided cutout template to produce an accurate, clean and level cutout in the mounting surface.
4. Insert the trim ring into the opening, as shown in the illustration below.

Insert Trim Ring into Opening

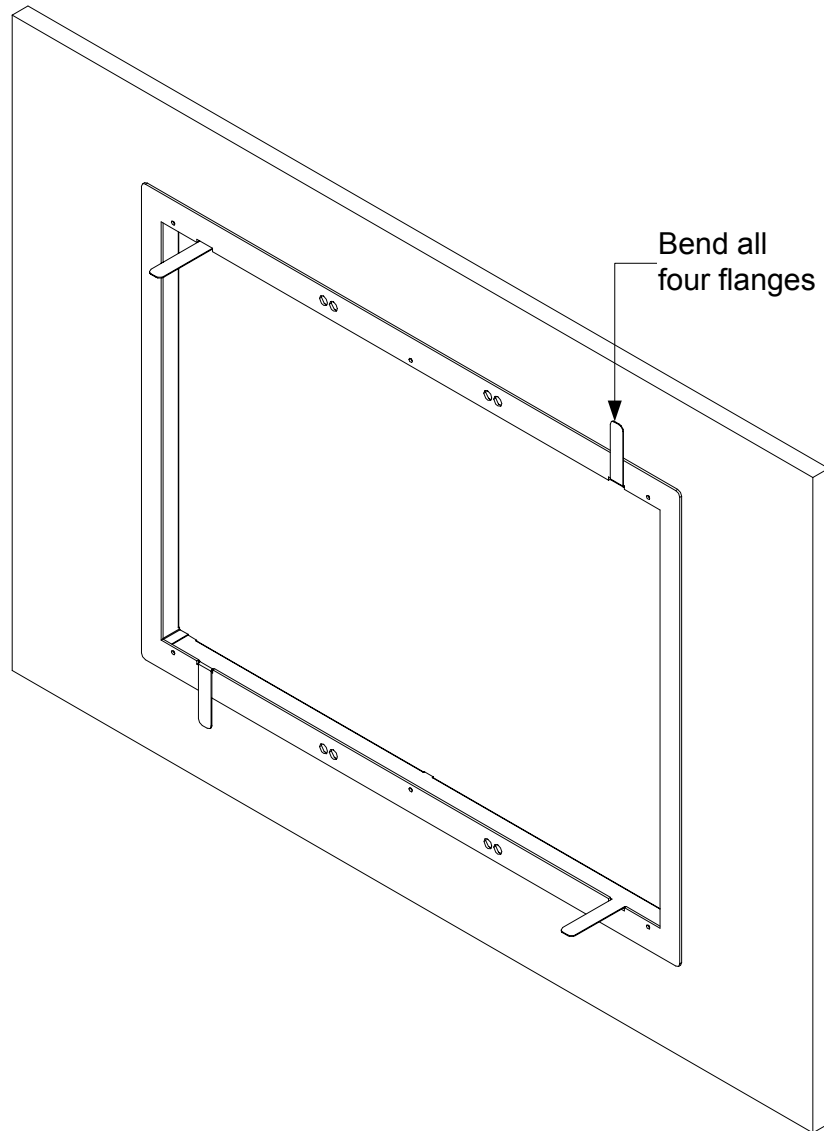
NOTE: Make the cutout as level and clean as possible. The Trim Ring only allows for minor adjustments of the touchpanel.



5. Carefully pass the mounting plate through the opening and hold it against the interior of the mounting surface.
6. When the mounting plate is in position, bend the top two flanges of the trim ring upward (approximately 90 degrees) and the bottom two flanges downward (approximately 90 degrees). Refer to the illustration below.

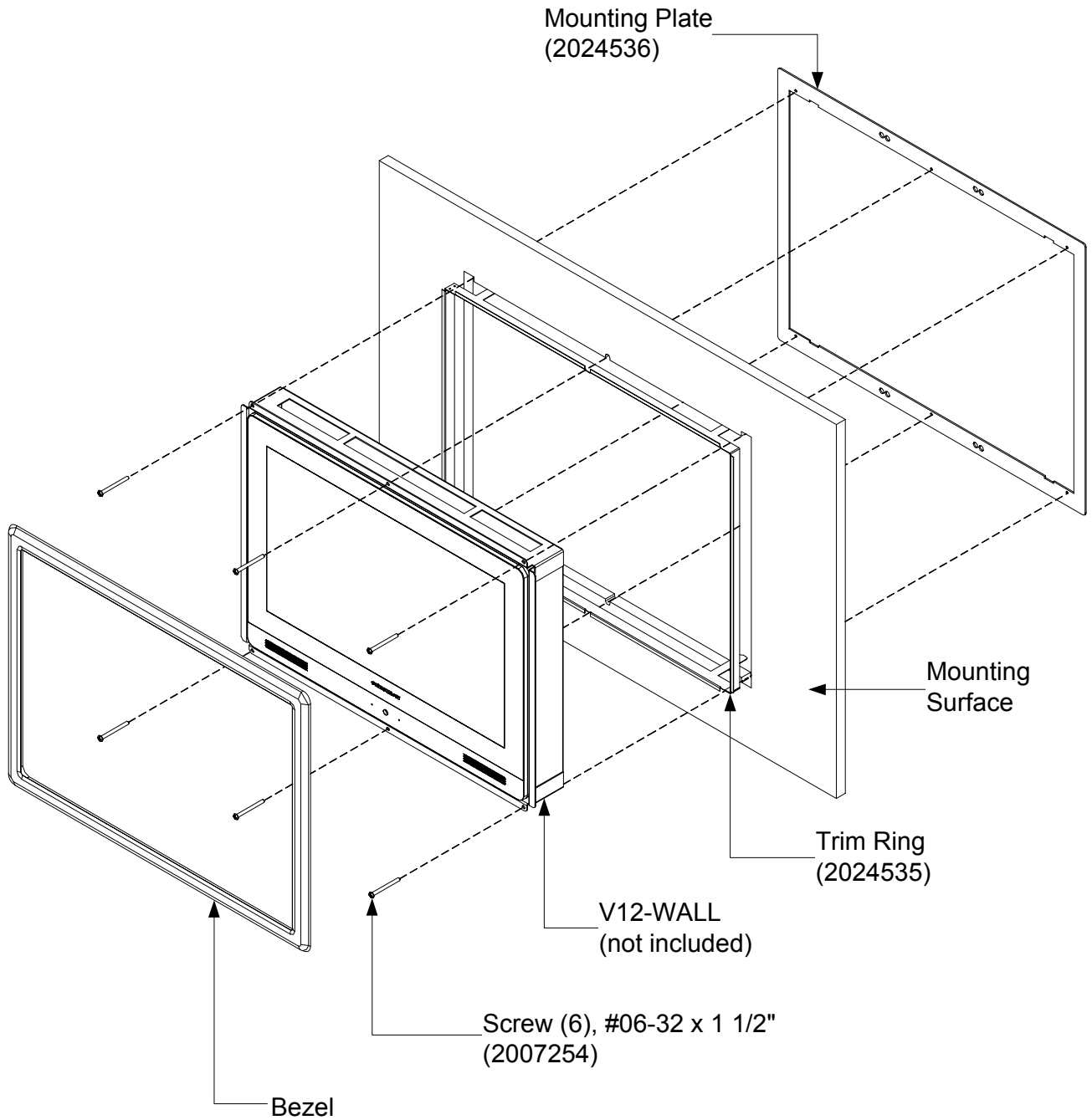
NOTE: The mounting plate will have a slight play; this is normal. It allows for minor adjustments to the touchpanel during installation.

Bend Flanges



7. Run the necessary cables for the touchpanel and secure them behind the mounting surface.
8. The touchpanel can be installed using the six tapped holes in the mounting plate. Refer to the latest version of the V12-WALL and WMKC-V12 Installation Guide (Doc. 6893) for details. Refer also to the comprehensive illustration on the following page.

V12-WALL Mounting Using WMKT-V12 (Exploded View)



Resources

The latest version of all documents mentioned within the guide can be obtained from the Crestron website (www.crestron.com/manuals). This link will provide a list of product manuals arranged in alphabetical order by model number.

List of Related Reference Documents

DOCUMENT TITLE
MMK-V12 and WMKM-V12 Mud Mount Kits
V12-WALL and WMKC-V12 Wall Mount & Chassis Wall Mount Kit for V12

Further Inquiries

If you cannot locate specific information or have questions after reviewing this guide, please take advantage of Crestron's award winning customer service team by calling Crestron at 1-888-CRESTRON [1-888-273-7876].

You can also log onto the online help section of the Crestron website (www.crestron.com/onlinehelp) to ask questions about Crestron products. First-time users will need to establish a user account to fully benefit from all available features.

Future Updates

As Crestron improves functions, adds new features and extends the capabilities of the WMKT-V12, additional information may be made available as manual updates. These updates are solely electronic and serve as intermediary supplements prior to the release of a complete technical documentation revision.

Check the Crestron website periodically for manual update availability and its relevance. Updates are identified as an “Addendum” in the Download column.

Return and Warranty Policies

Merchandise Returns / Repair Service

1. No merchandise may be returned for credit, exchange or service without prior authorization from CRESTRON. To obtain warranty service for CRESTRON products, contact an authorized CRESTRON dealer. Only authorized CRESTRON dealers may contact the factory and request an RMA (Return Merchandise Authorization) number. Enclose a note specifying the nature of the problem, name and phone number of contact person, RMA number and return address.
2. Products may be returned for credit, exchange or service with a CRESTRON Return Merchandise Authorization (RMA) number. Authorized returns must be shipped freight prepaid to CRESTRON, 6 Volvo Drive, Rockleigh, N.J. or its authorized subsidiaries, with RMA number clearly marked on the outside of all cartons. Shipments arriving freight collect or without an RMA number shall be subject to refusal. CRESTRON reserves the right in its sole and absolute discretion to charge a 15% restocking fee plus shipping costs on any products returned with an RMA.
3. Return freight charges following repair of items under warranty shall be paid by CRESTRON, shipping by standard ground carrier. In the event repairs are found to be non-warranty, return freight costs shall be paid by the purchaser.

CRESTRON Limited Warranty

CRESTRON ELECTRONICS, Inc. warrants its products to be free from manufacturing defects in materials and workmanship under normal use for a period of three (3) years from the date of purchase from CRESTRON, with the following exceptions: disk drives and any other moving or rotating mechanical parts, pan/tilt heads and power supplies are covered for a period of one (1) year; touchscreen display and overlay components are covered for 90 days; batteries and incandescent lamps are not covered.

This warranty extends to products purchased directly from CRESTRON or an authorized CRESTRON dealer. Purchasers should inquire of the dealer regarding the nature and extent of the dealer's warranty, if any.

CRESTRON shall not be liable to honor the terms of this warranty if the product has been used in any application other than that for which it was intended or if it has been subjected to misuse, accidental damage, modification or improper installation procedures. Furthermore, this warranty does not cover any product that has had the serial number altered, defaced or removed.

This warranty shall be the sole and exclusive remedy to the original purchaser. In no event shall CRESTRON be liable for incidental or consequential damages of any kind (property or economic damages inclusive) arising from the sale or use of this equipment. CRESTRON is not liable for any claim made by a third party or made by the purchaser for a third party.

CRESTRON shall, at its option, repair or replace any product found defective, without charge for parts or labor. Repaired or replaced equipment and parts supplied under this warranty shall be covered only by the unexpired portion of the warranty.

Except as expressly set forth in this warranty, CRESTRON makes no other warranties, expressed or implied, nor authorizes any other party to offer any warranty, including any implied warranties of merchantability or fitness for a particular purpose. Any implied warranties that may be imposed by law are limited to the terms of this limited warranty. This warranty statement supersedes all previous warranties.

Trademark Information

All brand names, product names and trademarks are the sole property of their respective owners. Windows is a registered trademark of Microsoft Corporation. Windows95/98/Me/XP/Vista and WindowsNT/2000 are trademarks of Microsoft Corporation.

This page is intentionally left blank.

This page is intentionally left blank.



Crestron Electronics, Inc.
15 Volvo Drive Rockleigh, NJ 07647
Tel: 888.CRESTRON
Fax: 201.767.7576
www.crestron.com

Installation Guide – DOC. 6813A
(2025429)
11.09
Specifications subject to
change without notice.