

GLA-IS-3180-24 by Steinel

Wall Mount Occupancy Sensor



Item No.	white black decorative cover inox decorative cover black corner wall bracket white corner wall bracket
Voltage	24 VDC, 12 mA
Mounting	wall or ceiling
Sensing Technology	passive infrared (PIR)
Time Delay Setting	5 seconds to 15 minutes
Light Level Setting	.2-200 footcandles 2-2000 lux
Environment	IP20 rated, -4°F to +122°F, -20°C to +50°C
Coverage	180° horizontal, 90° vertical, up to 42 ft radial reach, up to 65 ft tangential reach
Sensors	2 dual element infrared pyroelectric detectors
Lens Design	448 switching zones, 7 detection levels
Dimensions (LxWxD)	3.74 x 3.74 x 2.56 in, 95 x 95 x 65 mm,
Warranty	5 years
Certifications	C-UL-US Listed, RoHS Compliant, CA Compliant

The IS 3180-24 mounts on a wall and is designed to control a variety of building spaces. The sensor is part of the STEINEL family of high performance commercial occupancy sensors.

IS 3180-24 sensors are passive infrared and respond to heat radiated from human body motion. They turn lighting ON either automatically with occupancy or manually using a low voltage wall switch and the manual on mode of a STEINEL power pack. After a period of time where no occupancy has been detected, the sensor switches lighting OFF.

Applications

Wall mount applications where 180° coverage is needed, classrooms, offices, conference rooms.

Key Features:

- 180° coverage with up to 42 ft radial reach and up to 65 ft tangential reach
- Shrouds allow users to easily customize the coverage area; the moving lens (mechanical adjustment) fine tunes coverage even further
- 2 pyroelectric detectors with 448 switching zones provides sensitive motion detection
- Automatically adjusts to temperature changes keeping sensitivity and coverage consistent
- The hold off light level feature allows lighting to remain off during daylight regardless of occupancy. User-friendly “teach mode” automatically sets the daylight level, saving time with commissioning.



Voltage



Passive Infrared Technology



180° Coverage



IP20 Rated



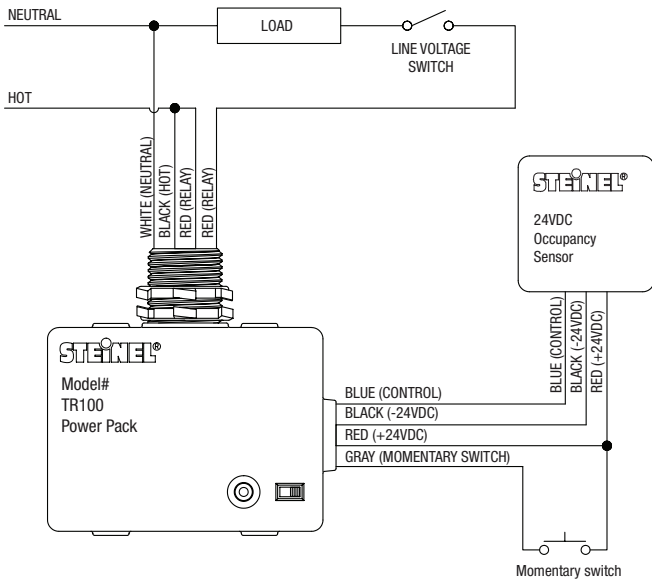
Mounting

GLA-IS-3180-24 by Steinel

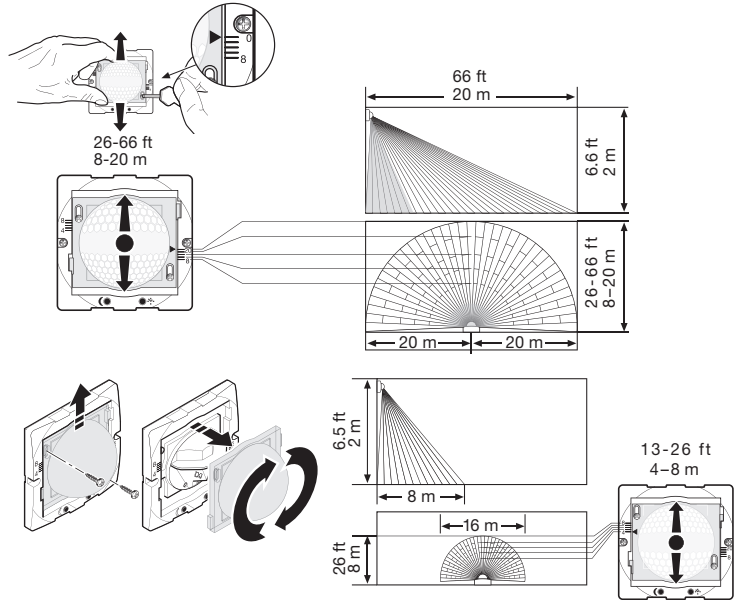
Wall Mount Occupancy Sensor



Wiring



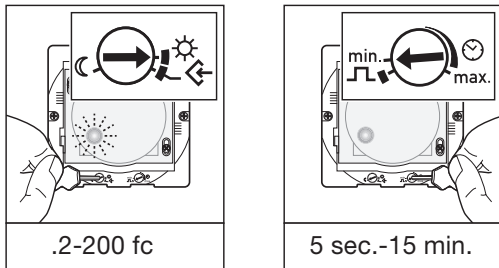
Coverage



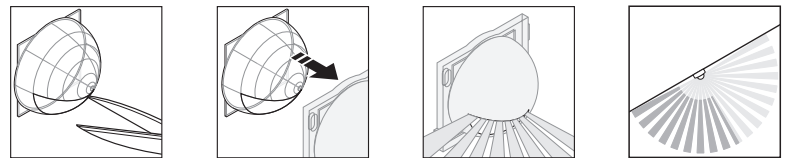
The shaded area on the coverage pattern represents minor motion coverage with a 10 ft radius, typical for an office environment.

The sensor has 2 coverage settings. The lens rotates to select the 8m max lens or the 20m max lens. There is additional adjustment by sliding the lens up or down.

Setting

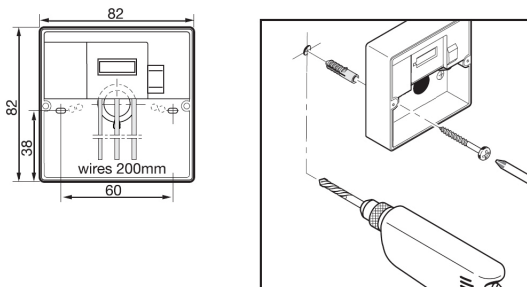


Coverage Adjustment



Shrouds supplied with each unit allow users to adjust coverage as needed.

Wall or Ceiling Mount with Screws



Mounting

