

Wall Plate DigitalMedia 8G+® Transmitter 200

The Crestron® [DM-TX-200-C-2G](#) is a DigitalMedia 8G+® transmitter that provides a remote wall plate or floor box input connection for HDMI® and VGA sources as part of a complete DigitalMedia™ System. It includes a USB HID device port, allowing a mouse/keyboard to be connected for controlling a computer or other host device at a different location. The DM-TX-200-C-2G mounts in a double-gang electrical box.



In the Box

- 1 DM-TX-200-C-2G,
Wall Plate DigitalMedia 8G+ Transmitter 200

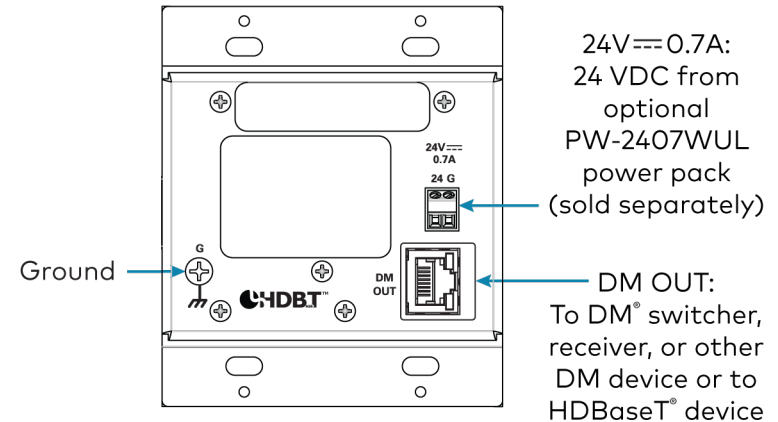
Additional Items

- 4 Screw, #6-32 x 3/4 in., Truss Head, Combo (2009211)



Connect the Rear Panel

Connect the rear panel of the transmitter before installing the unit into an electrical box (not included) or floor box (not included).



NOTE: The DM OUT port is a Power over DM (PoDM) and HDBaseT® PoE (Power over Ethernet) powered device (PD) port. To receive PoDM or HDBaseT PoE, the DM-TX-200-C-2G requires a connection to a DigitalMedia switcher or other equipment that has a PoDM or HDBaseT PoE power sourcing equipment (PSE) port. Any wiring connected to a PoDM or HDBaseT PoE PSE port is for intrabuilding use only and should not be connected to a line that runs outside of the building in which the PSE is located.

Wall Plate DigitalMedia 8G+® Transmitter 200



Install the Transmitter

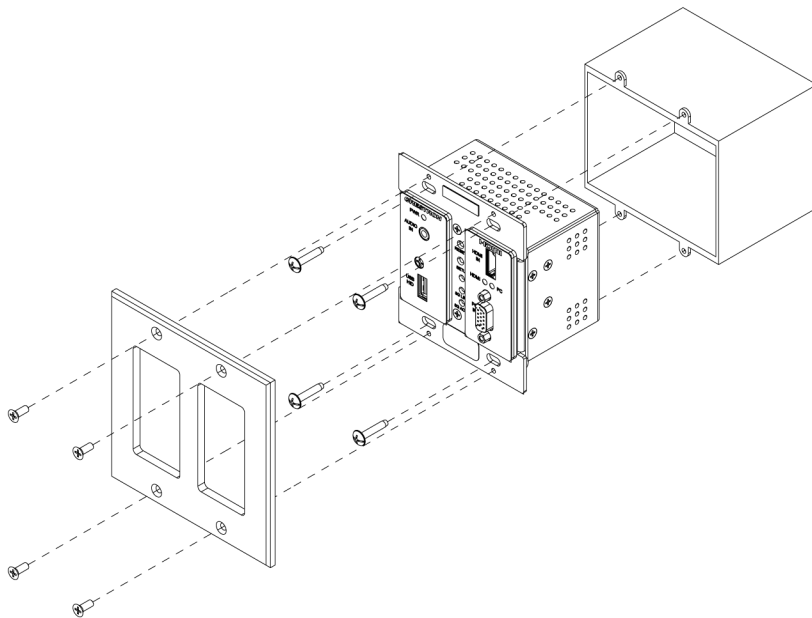
Install the DM-TX-200-C-2G into a 2-gang electrical box or into a 6 in. floor box.

Install into an Electrical Box

Install the DM-TX-200-C-2G into a 2-gang electrical box in a wall, floor, or ceiling. A minimum mounting depth of 2-1/2 in. (64 mm) is required.

To install the DM-TX-200-C-2G into an electrical box:

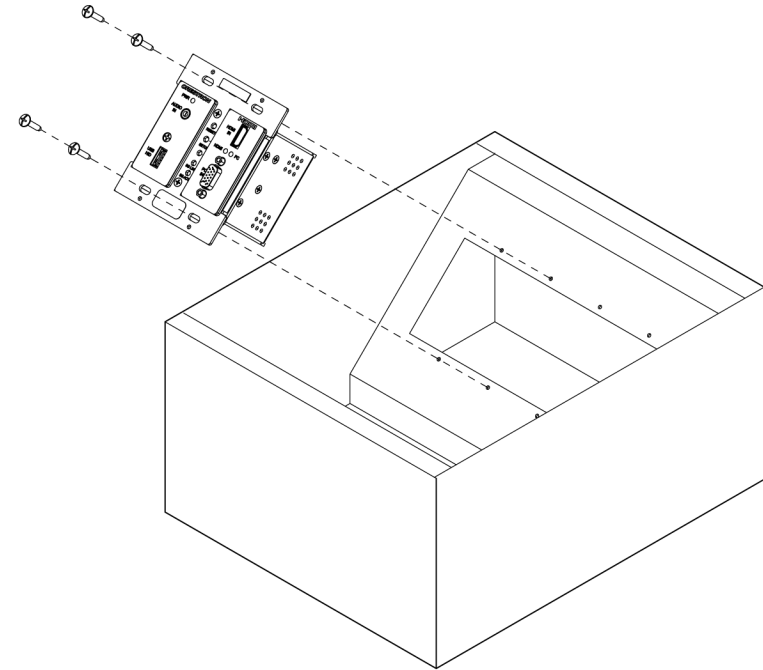
1. Use a Phillips screwdriver and the four included #6-32 x 3/4 in. screws to attach the DM-TX-200-C-2G to the electrical box.
2. Attach a decorator-style faceplate (not included) to the front of the DM-TX-200-C-2G using four screws (not included).



Install into a Floor Box

Install the DM-TX-200-C-2G into a 2-gang opening in a 6 in. (153 mm) deep floor box.

Use a Phillips screwdriver and the four included #6-32 x 3/4 in. screws to attach the DM-TX-200-C-2G to an installed floor box.

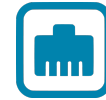
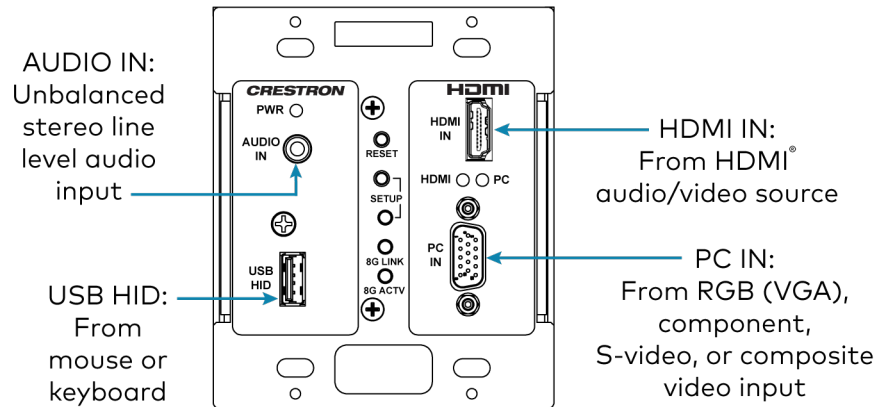


Wall Plate DigitalMedia 8G+® Transmitter 200



Connect the Front Panel

Connect the rear panel of the transmitter as required for the application.



Determine the IP Address

The configuration of the DM-TX-200-C-2G within a DM 8G+® system determines how the IP address of the DM-TX-200-C-2G is set:

- If the DM-TX-200-C-2G is connected to a DM switcher, the IP address is configured by the switcher automatically.
- If the DM-TX-200-C-2G is connected directly to a DM 8G+ receiver (commonly referred to as a standalone configuration in which no DigitalMedia switcher is used), the IP address of the transmitter is assigned using DHCP (Dynamic Host Configuration Protocol) by default. If you wish to assign a static IP address, do either of the following:
 - To assign the default static IP address of the transmitter, hold down the **SETUP** button while the unit boots up. The default static IP address 192.168.1.239 overwrites the current setting.
 - To manually set a static IP address other than the default address, use the Crestron Toolbox™ application.

Wall Plate DigitalMedia 8G+® Transmitter 200



Visit the Product Page

Scan the QR code to visit the product page.

DM-TX-200-C-2G



www.crestron.com/model/6505824

Additional Information

Original Instructions

The U.S. English version of this document is the original instructions. All other languages are a translation of the original instructions.

Crestron product development software is licensed to Crestron dealers and Crestron Service Providers (CSPs) under a limited nonexclusive, nontransferable Software Development Tools License Agreement. Crestron product operating system software is licensed to Crestron dealers, CSPs, and end-users under a separate End-User License Agreement. Both of these Agreements can be found on the Crestron website at www.crestron.com/legal/software_license_agreement.

The product warranty can be found at www.crestron.com/warranty.

The specific patents that cover Crestron products are listed at www.crestron.com/legal/patents.

Certain Crestron products contain open source software. For specific information, visit www.crestron.com/opensource.

Crestron, the Crestron logo, Crestron Toolbox, DigitalMedia, DigitalMedia 8G+, DM, and DM 8G+ are either trademarks or registered trademarks of Crestron Electronics, Inc. in the United States and/or other countries. HDBaseT and the HDBaseT Alliance logo are either trademarks or registered trademarks of the HDBaseT Alliance in the United States and/or other countries. HDMI, the HDMI logo, and High Definition Multimedia Interface are either trademarks or registered trademarks of HDMI Licensing LLC in the United States and/or other countries. Other trademarks, registered trademarks, and trade names may be used in this document to refer to either the entities claiming the marks and names or their products. Crestron disclaims any proprietary interest in the marks and names of others. Crestron is not responsible for errors in typography or photography.

©2020 Crestron Electronics, Inc.

Doc. 7759C

05/07/20