

DM-XIO-DIR-ENT

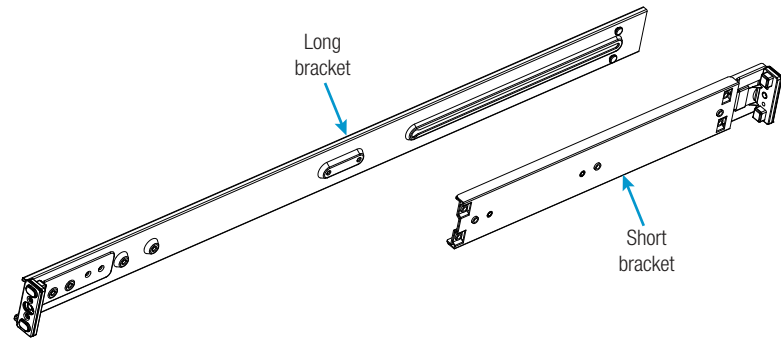
DigitalMedia™ XiO Director Virtual Switching Appliance

DO Install the Device

The Crestron® DM-XIO-DIR-ENT is designed to be mounted into a rack. The device is shipped from the factory with inner rack rails attached. The two included outer rack rails must be attached to a rack before the device is mounted into the rack. For installation instructions, refer to the “Installing the Outer Rack Rails” and “Mounting the Device into a Rack” sections that follow.

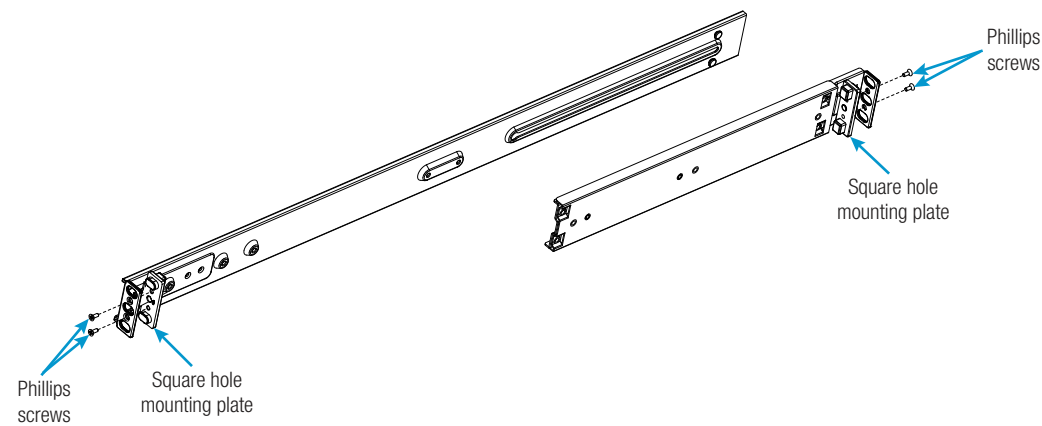
Installing the Outer Rack Rails

The two included outer rack rails can attach to racks with square or round rack holes. Each outer rack rail consists of a long bracket and a short bracket.

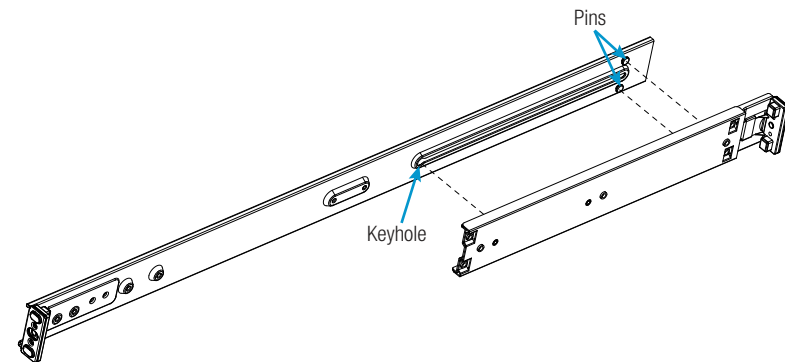


To install an outer rack rail, do the following:

1. (For attachment to a rack with round rack holes only) Detach the square hole mounting plates from the short and long brackets by removing the two Phillips screws from the end of each bracket. (The square hole mounting plates are designed for attachment to racks with square rack holes).



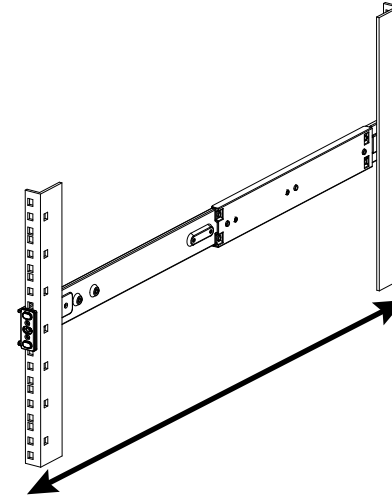
2. Attach the short bracket to the outside of the long bracket by inserting the pin (not shown) on the short bracket into the keyhole of the slot on the long bracket. The two pins on the long bracket are then positioned into the corresponding keyholes (not shown) of the short bracket.



DO Check the Box

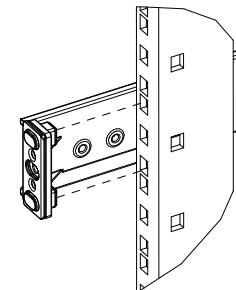
QUANTITY	PRODUCT	PART NUMBER
2	Power Cord	2050001
2	Rack Rail, Outer	2050009

3. Position the long bracket toward the front of the rack and the short bracket toward the rear of the rack, and then adjust the rail by sliding the brackets to fit the depth of the rack.

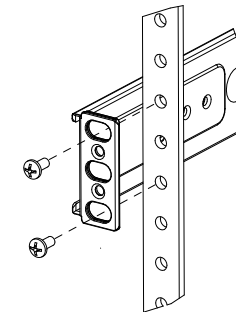


4. Do either of the following:

- If the rack has square rack holes, align the square hole mounting plates with the holes in the rack and then push the plates inward so that they snap into place.



- If the rack has round rack holes, align the rack mounting holes in the rail with the holes in the rack and then attach the rail with four rack mounting screws (two screws for each end of the rail, not included). Round unthreaded holes can be converted to threaded holes with the use of cage or clip nuts (not included).



5. Repeat steps 1–4 to attach the remaining rail to the other side of the rack.

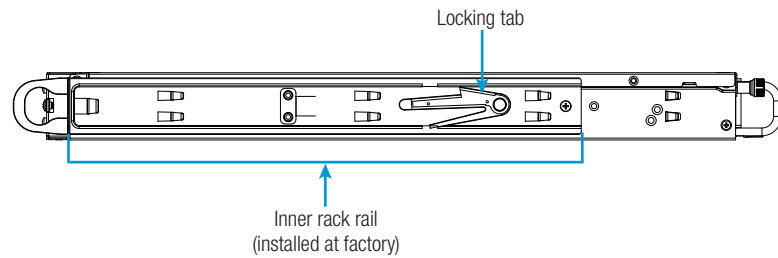


Mounting the Device into a Rack

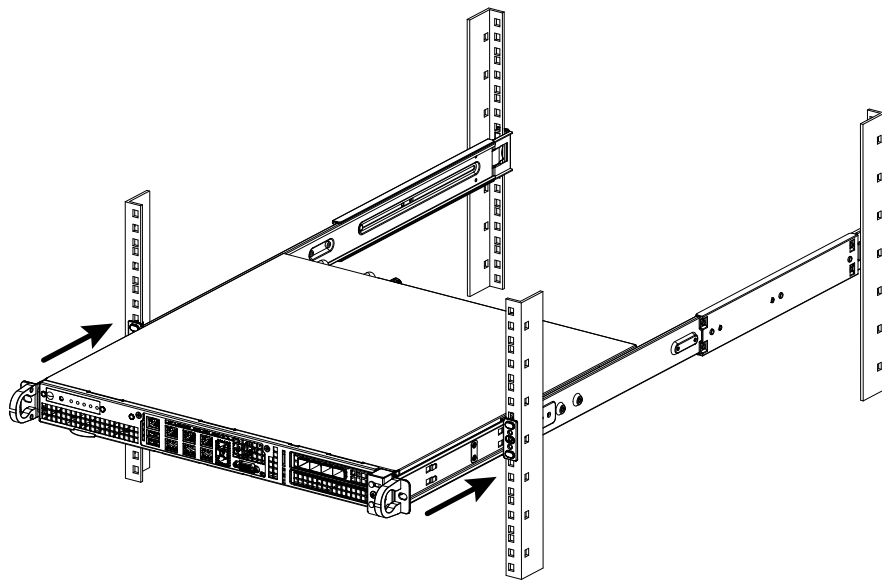
WARNING: Do not lift the device using the front handles. The handles are designed to assist in pulling the device from a rack.

The DM-XIO-DIR-ENT occupies 1U of rack space. To mount the device into a rack, do the following:

1. Observe the inner rack rails on the left and right sides of the device.



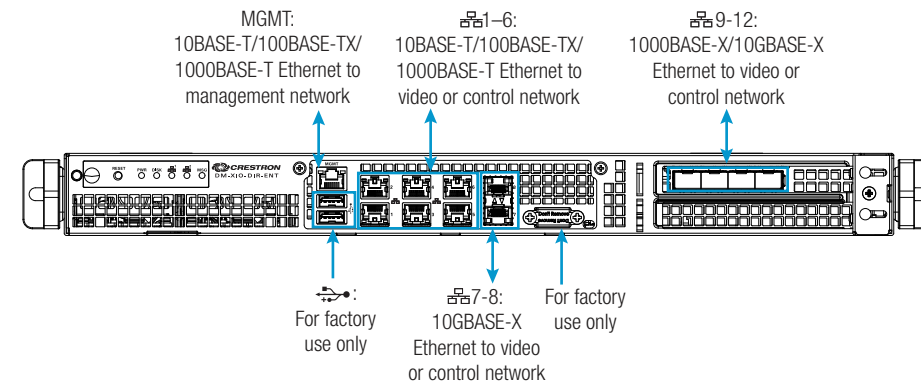
2. Align the inner rack rails with the front of the outer rack rails.
3. Slide the device into the rack rails—if necessary, press down on the locking tabs of the inner rack rails to insert the device. When the device is fully inserted into the rack, the locking tabs lock the device in place in the rack. The locking tabs also prevent the device from coming completely out of the rack if the device is pulled from the rack.



DO Connect the Device

Connect the device as required for the application.

Front Panel Connections

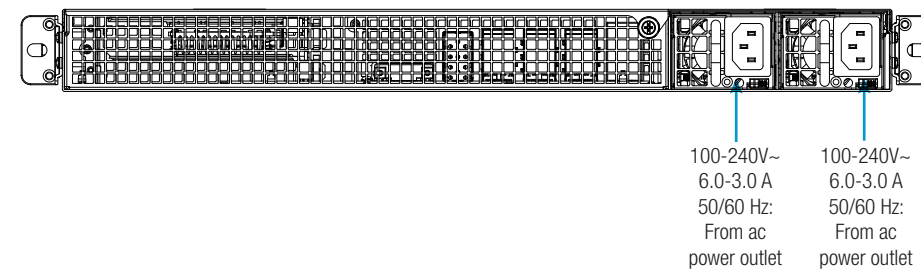


NOTE: The MGMT port is used for management and monitoring of the DM-XIO-DIR-ENT hardware. The MGMT port does not provide access to the DM-XIO-DIR-ENT software and is independent of the RJ-45 Ethernet ports labeled 1–6 and the SFP Ethernet ports labeled 7–12.

NOTE: RJ-45 Ethernet ports 1–6 and SFP Ethernet ports 7–12 provide access to the DM-XIO-DIR-ENT software and allow configuration of the software. The 12 ports are independent of each other and have different network settings.

NOTE: SFP Ethernet ports 7 and 8 are compatible with Crestron SFP-10G transceiver modules. SFP Ethernet ports 9–12 are compatible with Crestron SFP-1G and SFP-10G transceiver modules.

Rear Panel Connections



DO Configure the Device

Using the web interface, configure the DM-XIO-DIR-ENT software. To access the web interface, open a web browser and then go to the IP address of any one of the connected RJ-45 Ethernet ports (1–6) or SFP Ethernet ports (7–12).

NOTE: By default, DHCP is enabled for RJ-45 Ethernet ports 1–5 and SFP Ethernet ports 7–12, allowing each of those ports to be assigned a different IP address automatically. The IP address for RJ-45 Ethernet port 6 defaults to a link-local address in the 169.254.xxx.xxx range (refer to RFC 3927 for information about link-local addressing). To find the IP address of any of the connected Ethernet ports (1–12), use the Device Discovery Tool in the Crestron Toolbox™ software.

NOTE: The port that is being used to configure the DM-XIO-DIR-ENT software must be accessible from the networks of the device running the web browser, the associated DM-NVX devices, and the control system (if present).

To log in to the web interface, enter the user name and password. The default user name is *admin*, and the default password is *admin*. For additional information about the web interface, refer to the online help of the web interface and also to the DM-XIO-DIR Series Product Manual (Doc. 8241).

DO Learn More

Visit the website for additional information and the latest firmware updates. To learn more about this product, use a QR reader application on your mobile device to scan the QR image.

Crestron Electronics
15 Volvo Drive, Rockleigh, NJ 07647
888.CRESTRON | www.crestron.com



CE As of the date of manufacture, the product has been tested and found to comply with specifications for CE marking.

Federal Communications Commission (FCC) Compliance Statement

This device complies with part 15 of the FCC Rules. Operation is subject to the following conditions: (1) This device may not cause harmful interference and (2) this device must accept any interference received, including interference that may cause undesired operation.

CAUTION: Changes or modifications not expressly approved by the manufacturer responsible for compliance could void the user's authority to operate the equipment.

NOTE: This equipment has been tested and found to comply with the limits for a Class A digital device, pursuant to part 15 of the FCC Rules. These limits are designed to provide reasonable protection against harmful interference when the equipment is operated in a commercial environment. This equipment generates, uses, and can radiate radio frequency energy and, if not installed and used in accordance with the instruction manual, may cause harmful interference to radio communications. Operation of this equipment in a residential area is likely to cause harmful interference in which case the user will be required to correct the interference at his own expense.

Industry Canada (IC) Compliance Statement

CAN ICES-3 (A)/NMB-3(A)

Rack Mounting Safety Precautions

- **Elevated Operating Ambient Temperature:** If installed in a closed or multi-unit rack assembly, the operating ambient temperature of the rack environment may be greater than room ambient temperature. Therefore, consideration should be given to installing the equipment in an environment compatible with the maximum ambient temperature (T_{ma}) specified by the manufacturer.
- **Reduced Airflow:** Installation of the equipment in a rack should be such that the amount of airflow required for safe operation of the equipment is not compromised.
- **Mechanical Loading:** Mounting of the equipment in the rack should be such that a hazardous condition is not achieved due to uneven mechanical loading.
- **Circuit Overloading:** Consideration should be given to the connection of the equipment to the supply circuit and the effect that overloading of the circuits might have on overcurrent protection and supply wiring. Appropriate consideration of equipment nameplate ratings should be used when addressing this concern.
- **Reliable Earthing:** Reliable earthing of rack-mounted equipment should be maintained. Particular attention should be given to supply connections other than direct connections to the branch circuit (e.g., use of power strips).

Electrical Connection:

- "This product must be connected to an earthed mains socket-outlet."
- Finland: "Laitte on liitettävä suojamaadoituskoskettimilla varustettuun pistorasiaan."
- Norway: "Apparatet må tilkoples jordet stikkontakt."
- Sweden: "Apparaten skall anslutas till jordat uttag."

The specific patents that cover Crestron products are listed at www.crestron.com/legal/patents.

Certain Crestron products contain open source software. For specific information, visit www.crestron.com/legal/open-source-software.

Crestron, the Crestron logo, Crestron Toolbox, and DigitalMedia are either trademarks or registered trademarks of Crestron Electronics, Inc. in the United States and/or other countries. Other trademarks, registered trademarks, and trade names may be used in this document to refer to either the entities claiming the marks and names or their products. Crestron disclaims any proprietary interest in the marks and names of others. Crestron is not responsible for errors in typography or photography.

This document was written by the Technical Publications department at Crestron.

©2018 Crestron Electronics, Inc.

The product warranty can be found at www.crestron.com/legal/sales-terms-conditions-warranties.