



Description

The DIN-EN series of metal enclosures come in three sizes and house two, three, or six DIN rails. Each rail accommodates up to 18 DIN units leaving room for one DIN unit of extra space (18 mm). The extra space provides room for DIN device locking blocks or wiring along the sides of the enclosure. Each DIN-EN includes a removable front cover for easy access.

The DIN-EN is perfect for Crestron® DIN rail products, such as the DIN-AP3, DIN-DALI-2, and DIN-1DIMU4 (all sold separately). Third-party DIN rail devices can also occupy space amongst Crestron devices.

Crestron also offers DIN-EN two stage installation products, comprised of rough-in enclosures and lay-in panels. These products allow for prewiring and rough-in work during construction and lay-in panel installation later.

Additional Resources

Visit the product page on the Crestron website (www.crestron.com) for additional information. Use a QR reader application on your mobile device to scan the QR image.



DIN-EN-2X18



DIN-EN-3X18



DIN-EN-6X18



DIN-EN-3X18-MMOE



DIN-EN-3X18-MMP



DIN-EN-6X18-MMOE



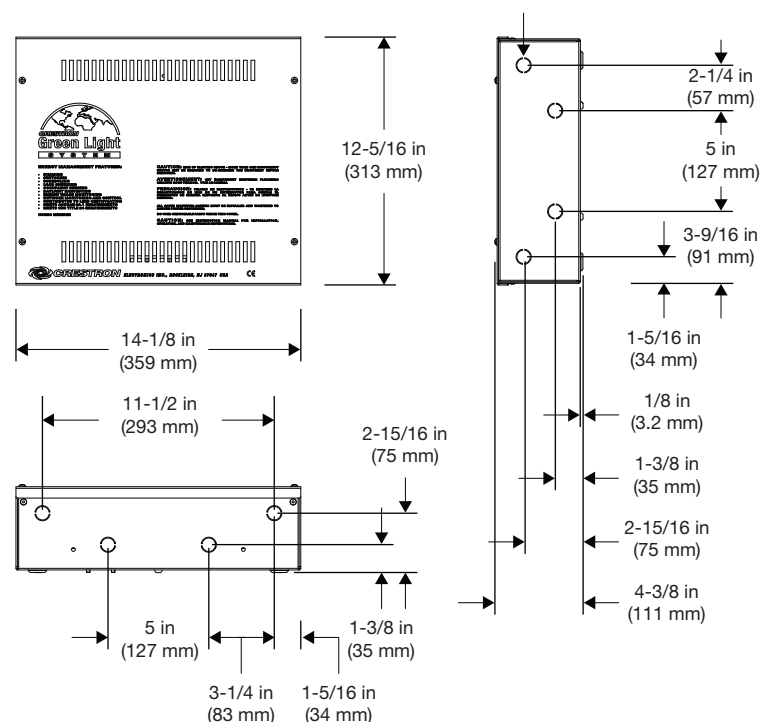
DIN-EN-6X18-MMP

Installation

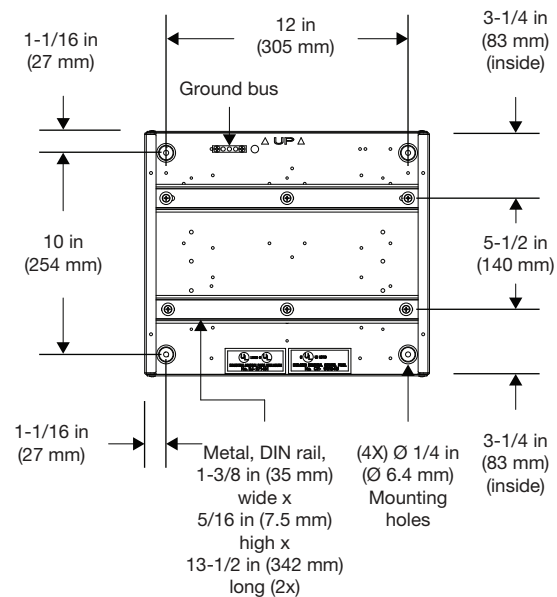
This section shows exterior and interior dimensions of Crestron's DIN-EN products.

External Dimensions of DIN-EN-2X18 Rail Enclosures (Front, Side, and Bottom View)

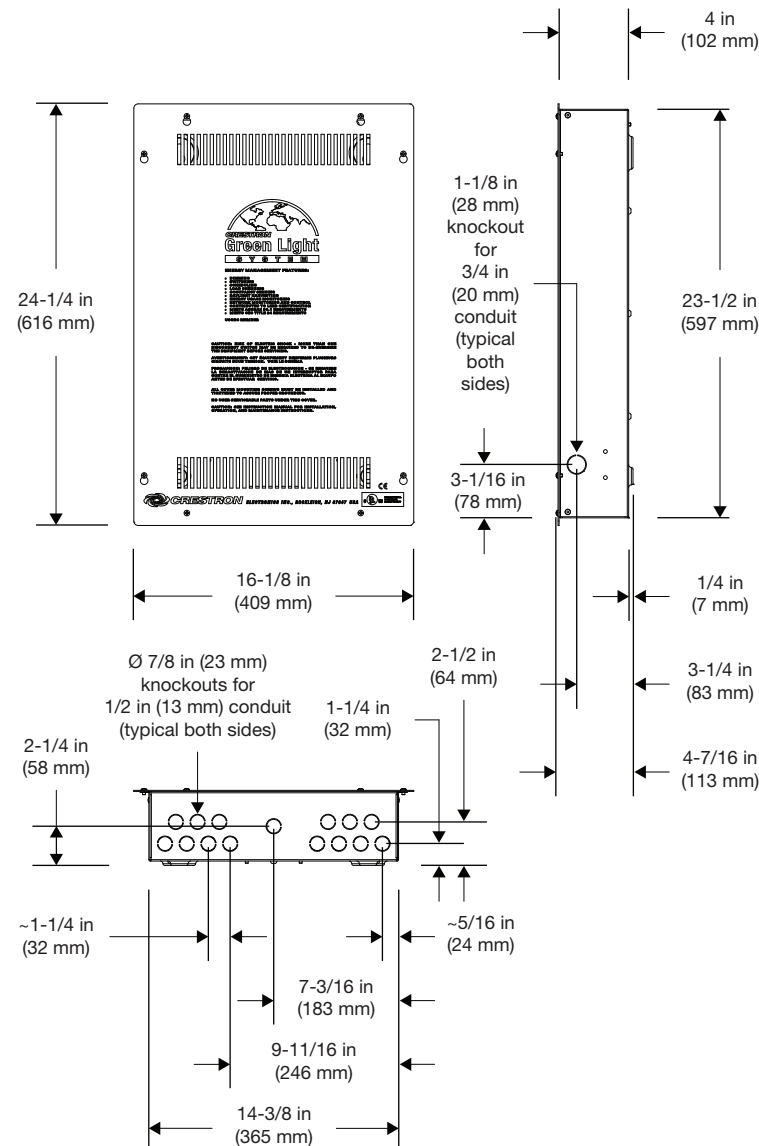
(16x) Ø 7/8 in (23 mm) knockouts for 1/2 in (13 mm) conduit (same pattern opposite side)



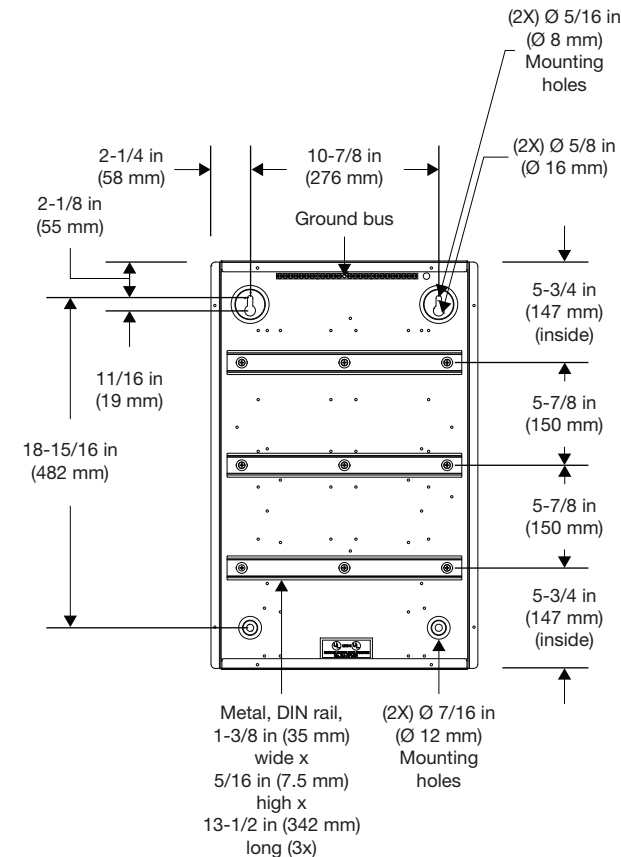
Internal Dimensions of DIN-EN-2X18 Rail Enclosures



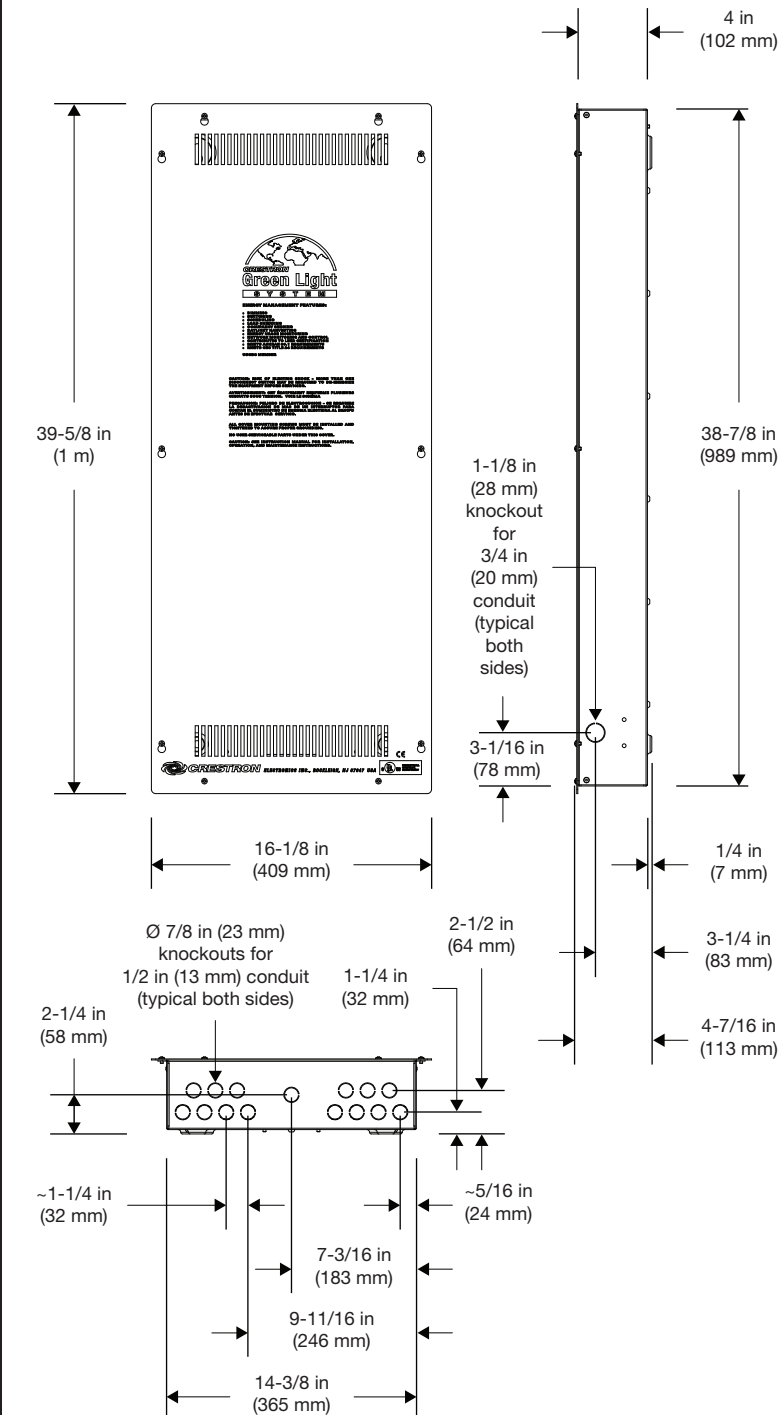
External Dimensions of DIN-EN-3X18 Rail Enclosures (Front, Side, and Bottom View)

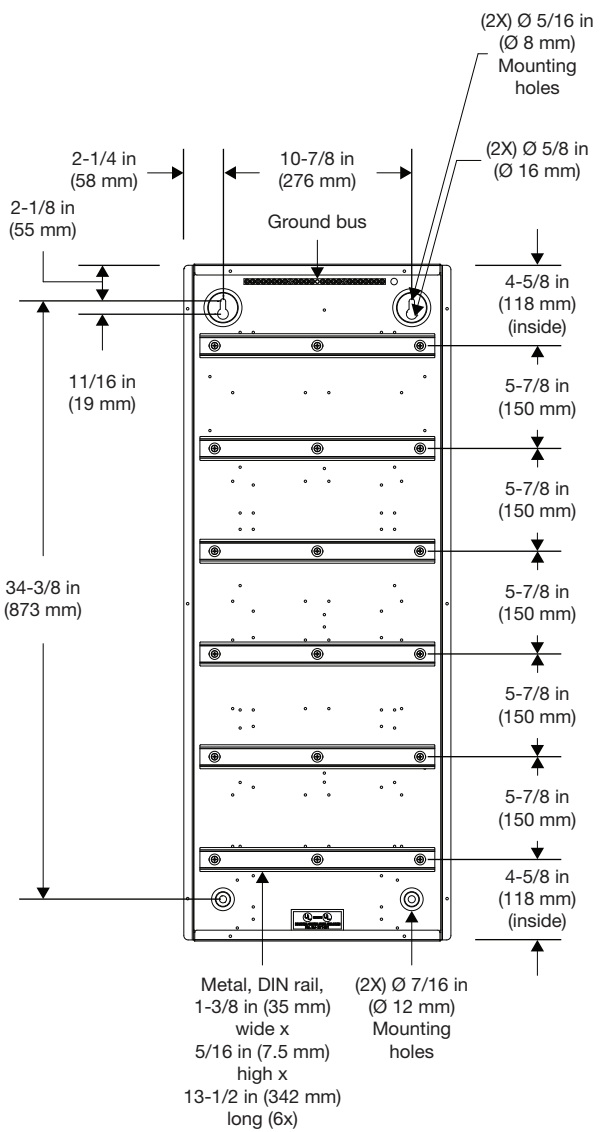


Internal Dimensions of DIN-EN-3X18 Rail Enclosures

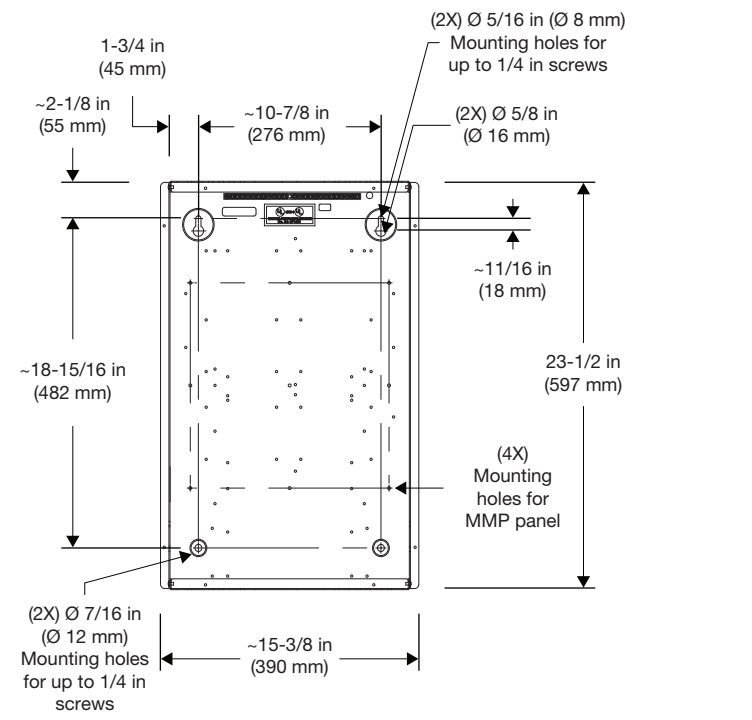


External Dimensions of DIN-EN-6X18 Rail Enclosures (Front, Side, and Bottom View)

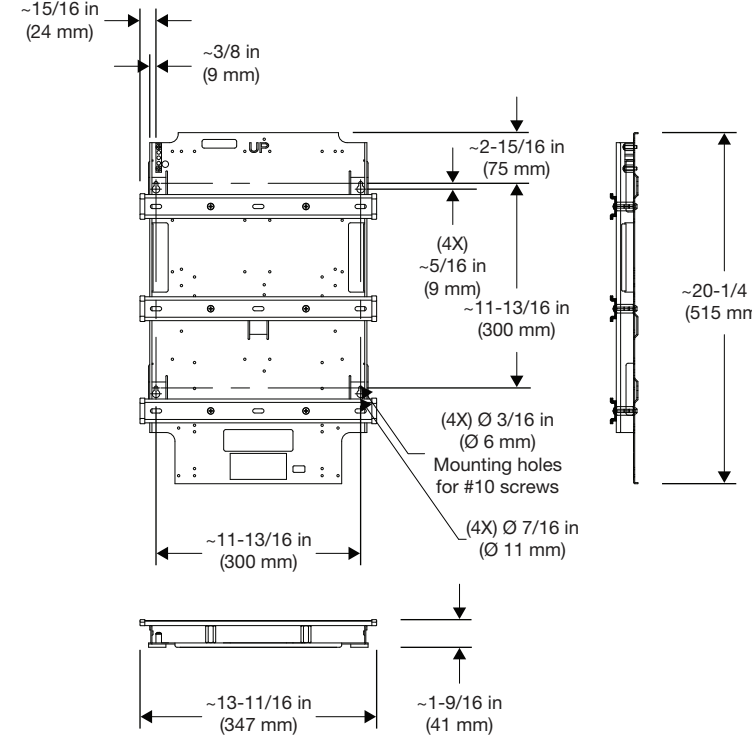




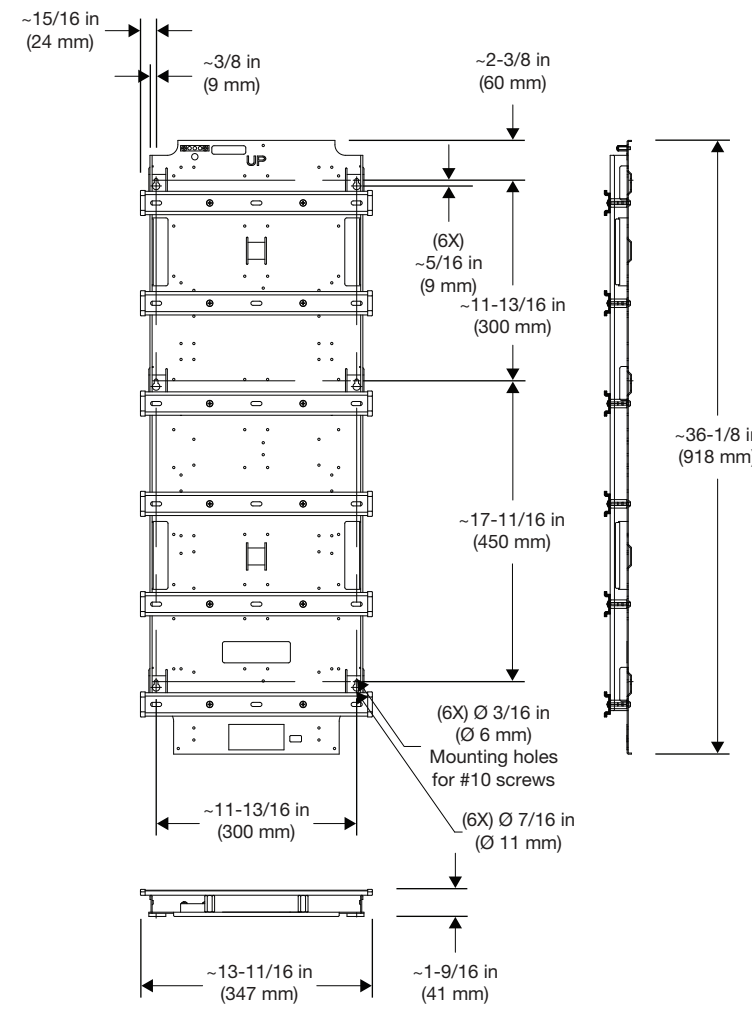
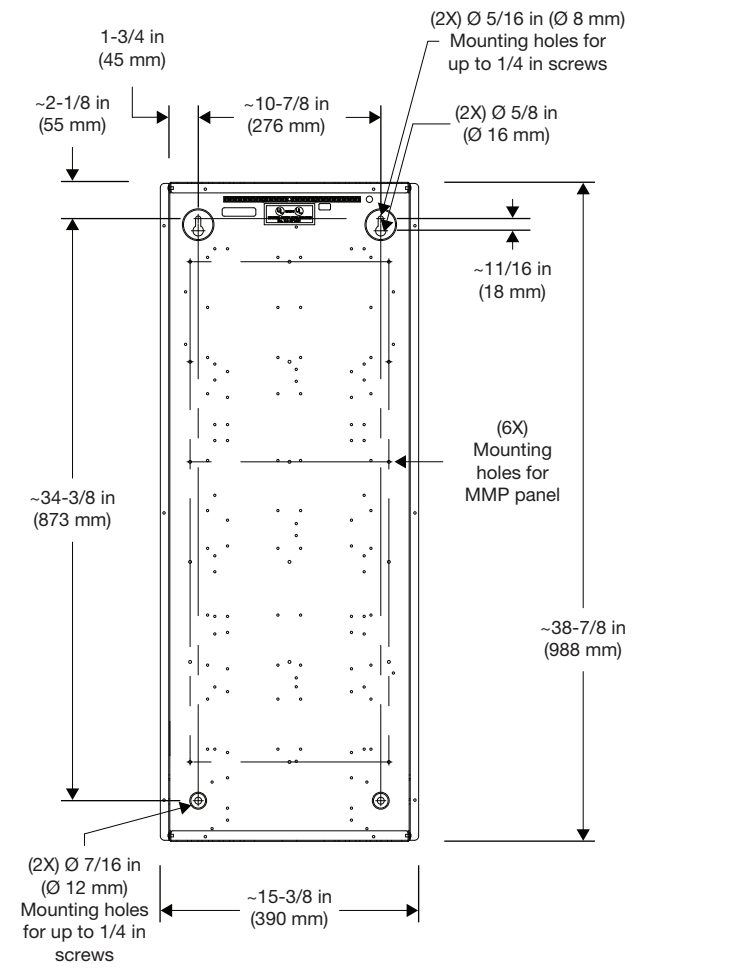
NOTE: The external dimensions of the DIN-EN-3X18-MMOE are identical to the DIN-EN-3X18 (refer to other side of this sheet).



Dimensions of DIN-EN-3X18-MMP (Lay-In Panel)



NOTE: The external dimensions of the DIN-EN-6X18-MMOE are identical to the DIN-EN-6X18 (refer to other side of this sheet).



This product is Listed to applicable UL® Standards and requirements tested by Underwriters Laboratories Inc.
Ce produit est homologué selon les normes et les exigences UL applicables par Underwriters Laboratories Inc.



The product warranty can be found at www.crestron.com/warranty.
The specific patents that cover Crestron products are listed at www.crestron.com/legal/patents.
Certain Crestron products contain open source software. For specific information, please visit www.crestron.com/opensource.

Crestron and the Crestron logo are either trademarks or registered trademarks of Crestron Electronics, Inc. in the United States and/or other countries. UL and the UL logo are either trademarks or registered trademarks of Underwriters Laboratories, Inc. in the United States and/or other countries. Other trademarks, registered trademarks, and trade names may be used in this document to refer to either the entities claiming the marks and names or their products. Crestron disclaims any proprietary interest in the marks and names of others. Crestron is not responsible for errors in typography or photography.
This document was written by the Technical Publications department at Crestron.
©2018 Crestron Electronics, Inc.

Crestron Electronics, Inc.
15 Volvo Drive, Rockleigh, NJ 07647
Tel: 888.CRESTRON
Fax: 201.767.7576
www.crestron.com

Installation Guide - DOC. 7192B
(2030929)
06.18
Specifications subject to change without notice.