

# Crestron

## Cutout Dimensions & Mounting Options

---



This document was prepared and written by the Marketing department at:



Crestron Electronics, Inc.  
15 Volvo Drive  
Rockleigh, NJ 07647  
1-888-CRESTRON

# Contents

**Cutout Dimensions & Mounting Options 1**

Introduction ..... 1  
 Touchpanel Templates..... 1  
 Keypad Templates ..... 1  
 QM Devices, IM Devices, and Other Fliptop/Desk Mounted Devices Templates..... 2

Touchpanel Mounting Kits and Cutout Dimensions ..... 3  
 Back Box ..... 3  
 Pre-Construction Mounting Kit ..... 3  
 Trim Ring ..... 4  
 Mud Ring..... 4  
 Rack Mount ..... 5  
 Water Resistant Cover Kits ..... 6  
 LC-1000, CT-1000 & APAD..... 7  
 TPMC-10-DSW ..... 8  
 TPS-12L & TPS-12G-QM-L ..... 9  
 TPS-15L, TPS-15G-QM-L, TPMC-15-CH-L & TPMC-15-QM-L ..... 10  
 TPS-17L, TPMC-17-CH-L, & TPMC-17-QM-L ..... 11  
 TPS-2000L ..... 12  
 TPS-3100L ..... 13  
 TPS-4000L ..... 14  
 TPS-4500L, TPS-4500LV & TPS-5000L..... 15  
 TPS-6000L ..... 17  
 TPS-4L ..... 19  
 C2N-FT-TPS4 ..... 20  
 STX-1700CW and STX-1700CXPW ..... 21

Thermostats, Temperature and Temperature/Humidity Sensors ..... 22  
 CHV-TSTAT and CHV-THSTAT ..... 22  
 CHV-RTS & CHV-RTHS ..... 23  
 CHV-RSS ..... 23  
 C2N-RTHS ..... 24

Keypads ..... 25  
 C2N-CBF..... 25

MediaManager Devices ..... 26  
 QM-FTCC, QM-FTDC, QM-FTMC, QM-FTSC, QM-FTMCSC, QMI-FTCC, QMI-FTDC,  
 QMI-FTMC, QMI-FTSC & QMI-FTMCSC ..... 26  
 QM-FTCC-TPS4 ..... 26  
 IM-FTCC-B ..... 27  
 IM-TCC ..... 28  
 C2N-FTB ..... 29

Lighting and Shade/Drape Control ..... 30  
 CAEN Automation Enclosures..... 30  
 C2N-SDC and C2N-SDC-DC ..... 31  
 CLS-C6 and CLS-C6M ..... 32

Further Inquiries ..... 33



# Cutout Dimensions & Mounting Options

## Introduction

This document contains the cutout dimensions and mounting options for the current line of wall-mounted/lectern-mounted Crestron devices. Templates are available on the Crestron website and may be ordered as a part number. Refer to the Crestron website: [Tools & Resources > Product Resources > Product Cut-Out Templates](#).

**NOTE:** Crestron cannot guarantee the accuracy of template reproduction on your printer. For precise templates, please order the part number.

### Touchpanel Templates

Model Number	Template Part Number
TPS-12G-QM-L	Template 40079 for WMKM-12L/WMKT-12L
TPS-15G-QM-L	Template 40080 for WMKM-15L/WMKT-15L
TPMC-10	Template 40085 for TPMC-10-DSW
TPMC-15-(CH/QM)-L	Template 40080 for WMKM-15L/WMKT-15L
TPMC-17-(CH/QM)-L	Template 40081 for WMKM-17L/WMKT-17L
TPS-12L	Template 40079 for WMKM-12L/WMKT-12L
TPS-15L	Template 40080 for WMKM-15L/WMKT-15L
TPS-17L	Template 40081 for WMKM-17L/WMKT-17L
TPS-2000L	Template 40064-1 for WMKM-2000L
TPS-3100L	Template 40065-1 for WMKM-3000L
TPS-4500L	Template 40049-1 for direct mounting
TPS-5000L	
TPS-6000L	Template 40051-1 for direct mounting
TPS-4L	Template 40078 for direct mounting Template 40086 for WMKT-4L
C2N-FT-TPS4	Template 40082

### Keypad Templates

Model Number	Template Part Number
C2N-CBF	Template 40075

**QM Devices, IM Devices, and Other Fliptop/Desk Mounted Devices Templates**

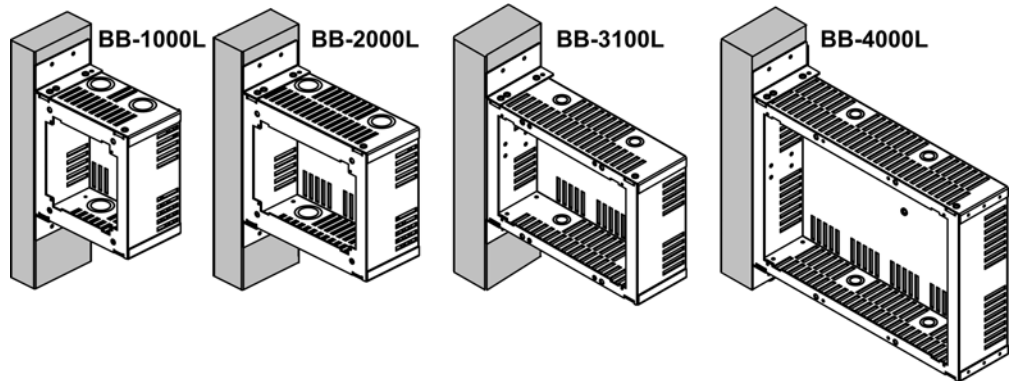
<b>Model Number</b>	<b>Template Part Number</b>
QM-FTCC QM-FTDC QM-FTMC QM-FTMCSC C2N-FTB	Template 40071
QM-FTSC	Template 40072
QMI-FTCC QMI-FTDC QMI-FTMC QMI-FTSC QMI-FTMCSC	Template 40073
QM-FTCC-TPS4 C2N-FT-TPS4	Template 40082
QMI-FTCC-TPS4	Template 40083
IM-FTCC-B	Template 40077

# Touchpanel Mounting Kits and Cutout Dimensions

Crestron offers a number of optional kits for mounting touchpanels.

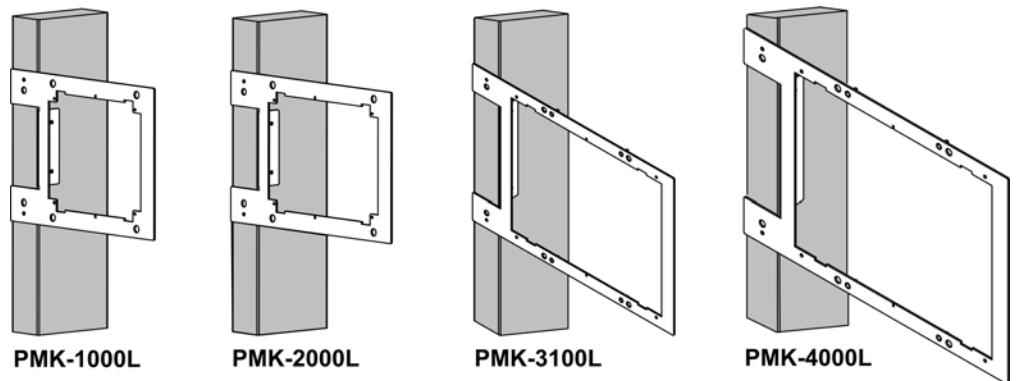
## Back Box

The **Back Box** is used in a pre-construction environment, before the drywall is installed. It attaches to a stud and provides a very secure mounting.



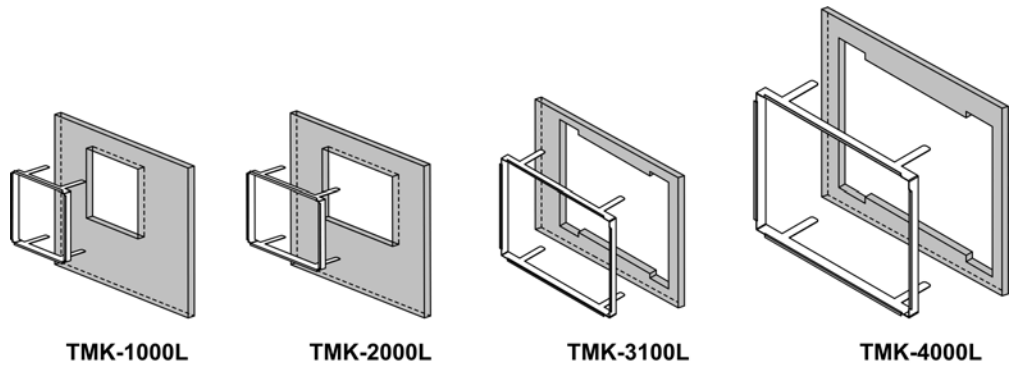
## Pre-Construction Mounting Kit

The **Pre-Construction Mounting Kit** provides a quick nail-in solution for installing wall mount touchpanels and permits fastening to the stud of a framed wall prior to hanging drywall.

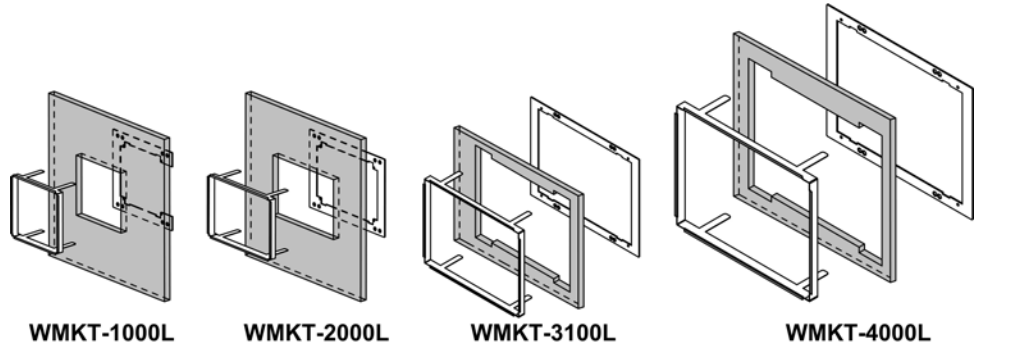


**Trim Ring**

The **Trim Ring** is an optional accessory for use with the pre-construction wall mounting kit and back box to provide a smooth edge around the opening and compensate for minor drywall cutout imperfections.

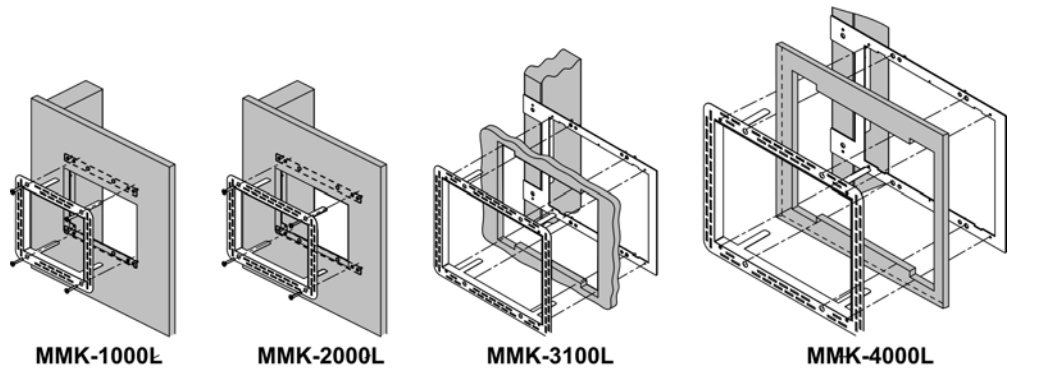


Examples of **Post Construction Wall Mount Kit with Trim Ring.**

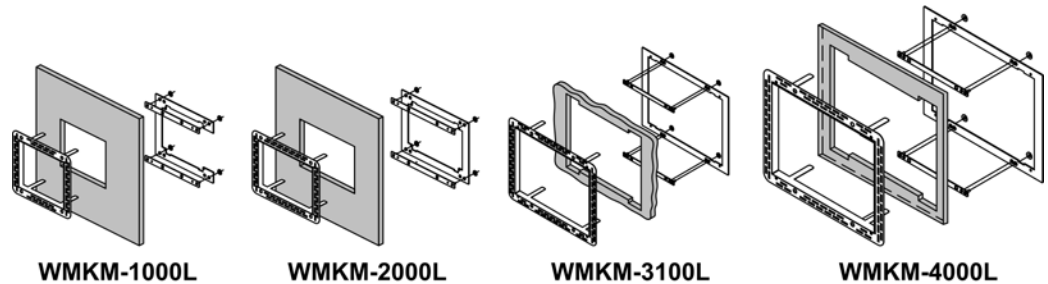


**Mud Ring**

The **Mud Ring** is an optional accessory used to compensate for significant drywall cutout imperfections by providing a suitable surface for the application of plaster for a finished appearance.



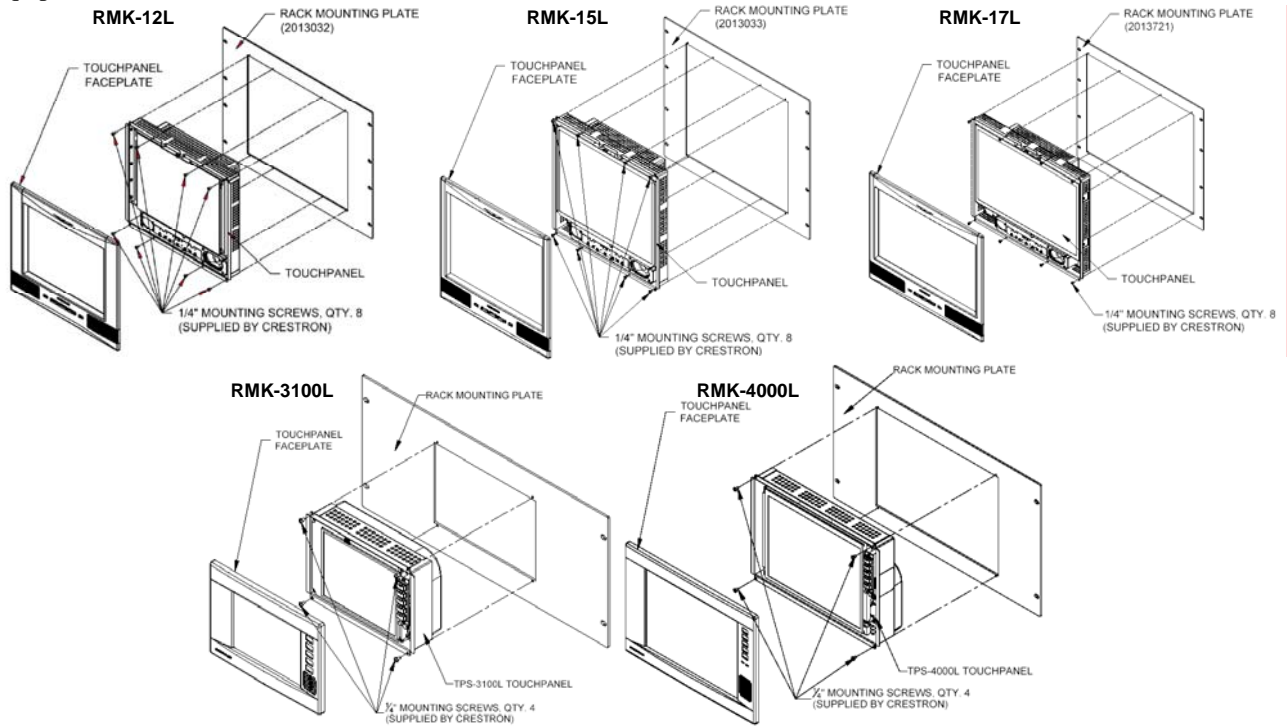
Examples of **Post Construction Wall Mount Kit with Mud Ring.**





**Rack Mount**

The **Rack Mount** is an optional mounting accessory that allows for the installation of a touchpanel in a 19-inch EIA equipment rack.

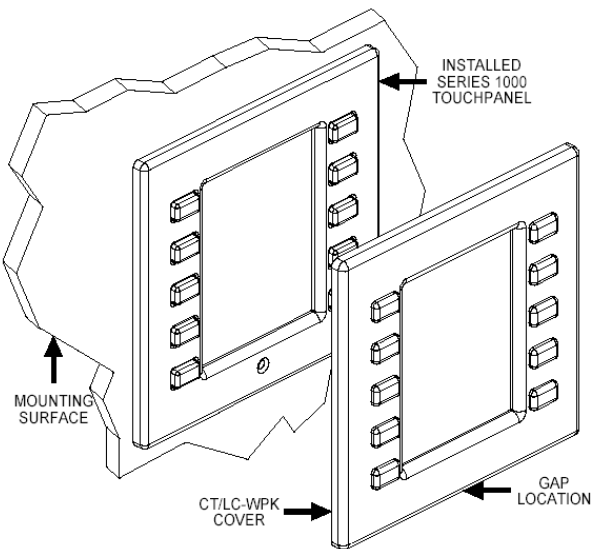


Model	Height	Occupied Rack Spaces
RMK-12L	13.97 inches (35.49 cm)	Eight rack spaces
RMK-15L	15.72 inches (39.93 cm)	Nine rack spaces
RMK-17L	15.72 inches (39.93 cm)	Nine rack spaces
RMK-3100L	8.72 inches (22.15 cm)	Five rack spaces
RMK-4000L	10.47 inches (26.59 cm)	Six rack spaces

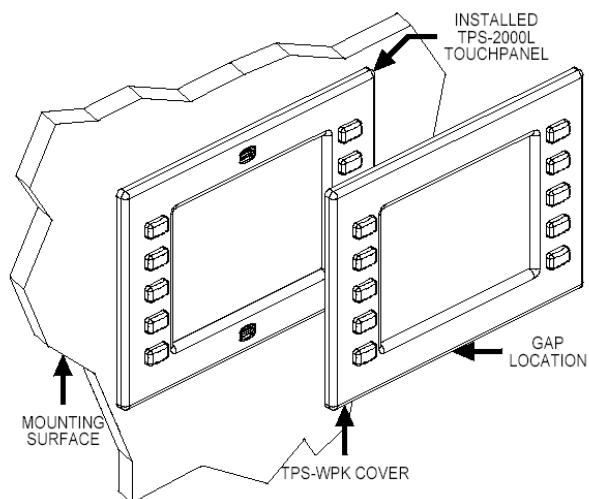
## Water Resistant Cover Kits

The **Water Resistant Cover Kit** protects touchpanels wherever they may be exposed to moisture or dampness such as basements, pools, boathouses, bathrooms, laundries and garages. The urethane covers install easily over the faceplate of the touchpanel. Without hindering normal use, they effectively prevent liquids and other airborne materials from settling onto the face of the panel.

### *CT/LC-WPK Water Resistant Cover for CT-1000 and LC-1000*



### *TPS-WPK Water Resistant Cover for TPS-2000*




---

**NOTE:** Please note that Crestron touchpanels are not intended to be exposed to the elements or used under conditions exceeding the environmental limits of 50° to 113°F (10° to 45°C), 10% to 90% RH (non-condensing).

---

LC-1000, CT-1000 & APAD

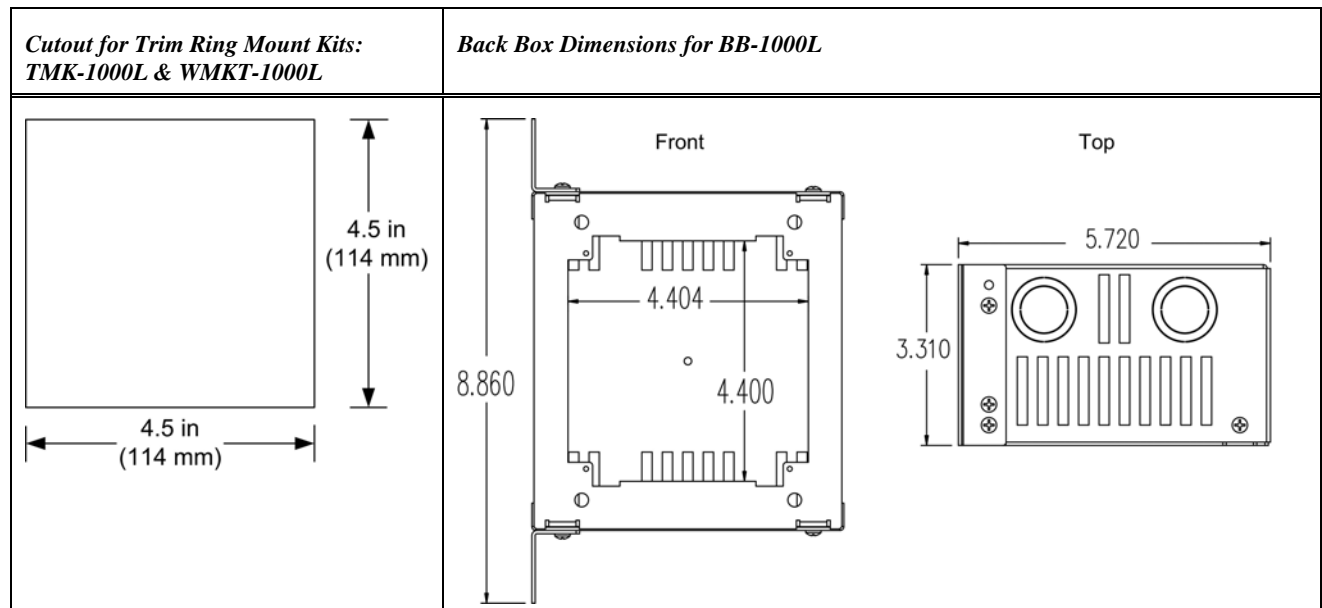
*Pre-Construction Mounting Options for the LC-1000, CT-1000 & APAD Touchpanels*

<i>PRE-CONSTRUCTION KITS</i>	<i>MODEL NUMBER</i>
Back Box Kit	BB-1000L
Pre-Construction Kit	PMK-1000L
Mud Mount Kit	MMK-1000L
Trim Mount Kit	TMK-1000L

*Post-Construction Mounting Options for the LC-1000, CT-1000 & APAD Touchpanels*

<i>POST-CONSTRUCTION KITS</i>	<i>MODEL NUMBER</i>
Wall Mount Mud Kit	WMKM-1000L
Wall Mount Trim Kit	WMKT-1000L
Water Resistant Cover	CT/CL-WPK

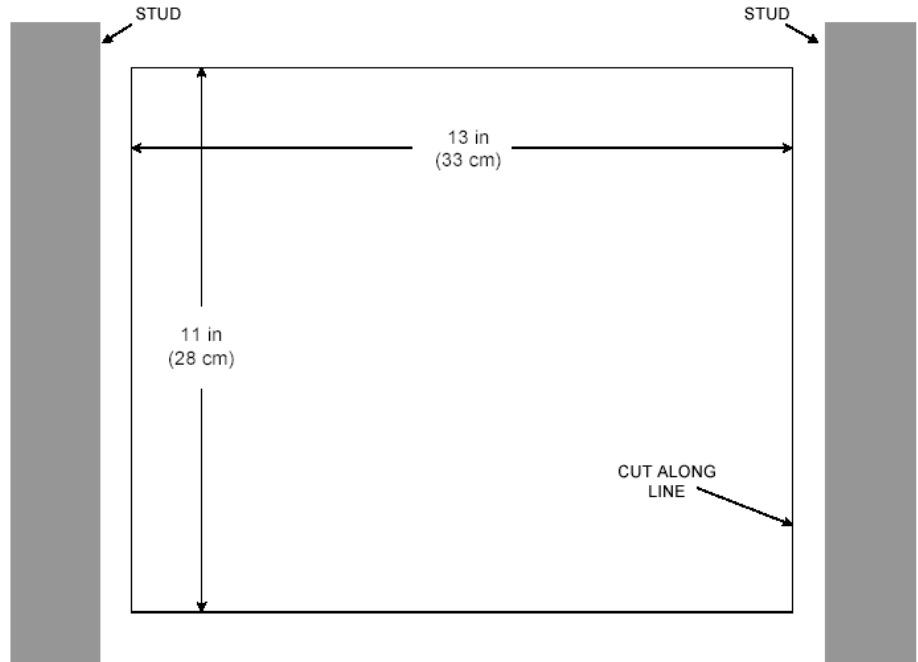
**NOTE:** Early production units ship with two mounting brackets (and other parts) that allowed the low-voltage touchpanel to be installed directly into a mounting surface.



**NOTE:** For additional mounting information, refer to the latest version of the Crestron Touchpanel Mounting Quick Start, Doc. 6140, available from the Crestron website ([www.crestron.com](http://www.crestron.com)).

**TPMC-10-DSW**

The TPMC-10-DSW is a wall-mounted docking station for the Crestron® TPMC-10 Isys i/O™ WiFi Touchpanel. The TPMC-10-DSW, recessed in the wall, turns the TPMC-10 into a fully-functioning wall mounted touchpanel, and charges its built-in battery at the same time.

***Cutout for TPMC-10-DSW***

**NOTE:** For additional details, refer to the latest version of the TPMC-10-DSW Operations and Installation Guide (Doc. 6400), available from the Crestron website.

TPS-12L & TPS-12G-QM-L

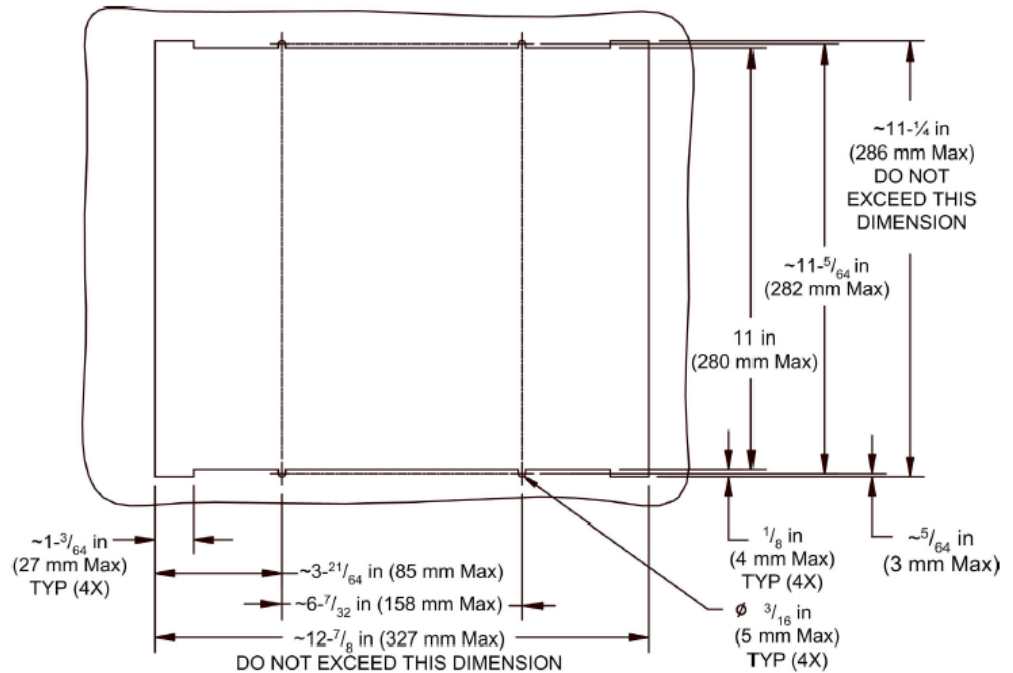
*Pre-Construction Mounting Options for the TPS-12L & TPS-12G-QM-L Touchpanels*

<b>PRE-CONSTRUCTION KITS</b>	<b>MODEL NUMBER</b>
Back Box Kit	BB-12L
Pre-Construction Kit	PMK-12L
Mud Mount Kit	MMK-12L
Trim Mount Kit	TMK-12L

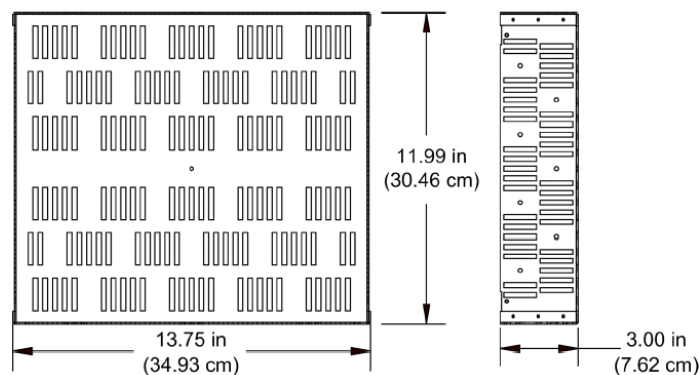
*Post-Construction Mounting Options for the TPS-12L & TPS-12G-QM-L Touchpanels*

<b>POST-CONSTRUCTION KITS</b>	<b>MODEL NUMBER</b>
Wall Mount Mud Kit	WMKM-12L
Wall/Lectern Mount Trim Kit	WMKT-12L
Rack-Mount Kit	RMK-12L

**TPS-12L & TPS-12G-QM-L Cutout Dimensions**



**Back Box BB-12L Dimensions**



TPS-15L, TPS-15G-QM-L, TPMC-15-CH-L & TPMC-15-QM-L

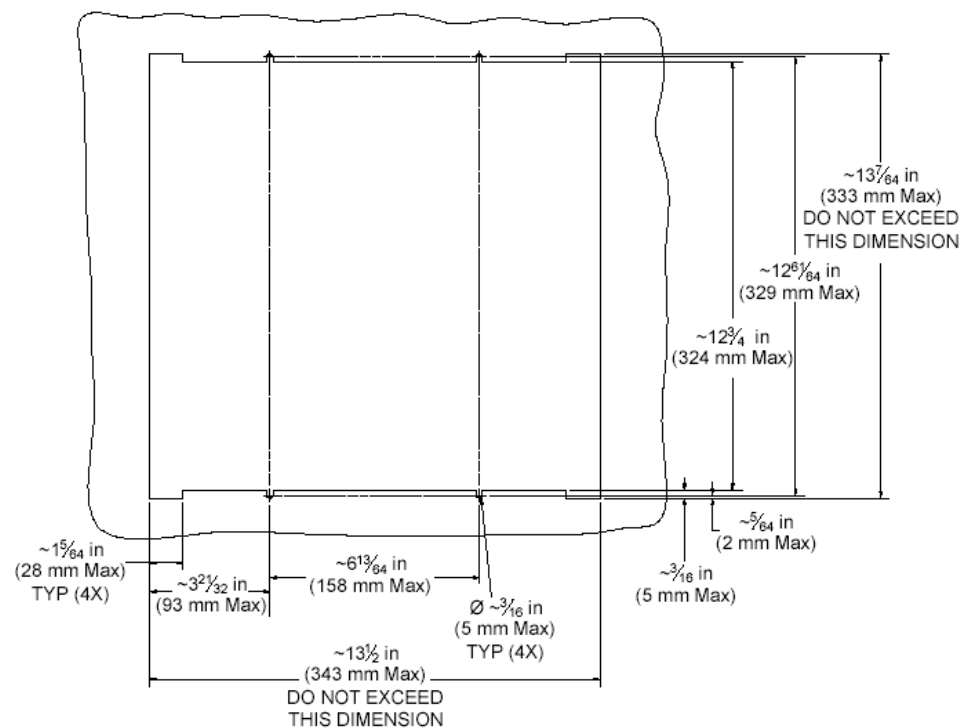
*Pre-Construction Mounting Options for the TPS-15 and TPS-15G-QM-L Touchpanels*

<i>PRE-CONSTRUCTION KITS</i>	<i>MODEL NUMBER</i>
Back Box Kit	BB-15L
Pre-Construction Kit	PMK-15L
Mud Mount Kit	MMK-15L
Trim Mount Kit	TMK-15L

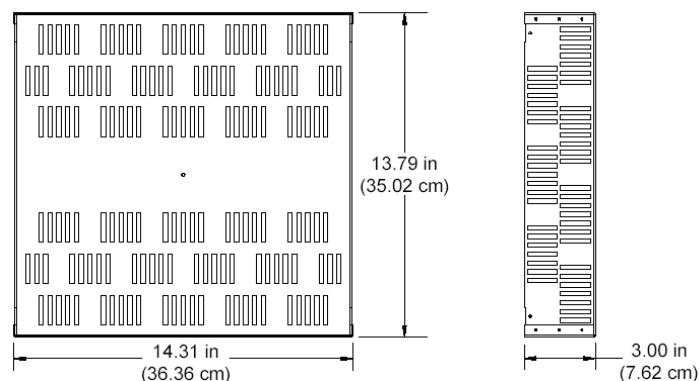
*Post-Construction Mounting Options for the TPS-15 and TPS-15G-QM-L Touchpanels*

<i>POST-CONSTRUCTION KITS</i>	<i>MODEL NUMBER</i>
Wall/Lectern Mount Trim Kit	WMKT-15L
Wall Mount Kit with Mud Ring	WMKM-15L
Rack-Mount Kit	RMK-15L

*TPS-15L, TPS-15G-QM-L, TPMC-15-CH-L & TPMC-15-QM-L Cutout Dimensions*



*Back Box BB-15L Dimensions*



TPS-17L, TPMC-17-CH-L, & TPMC-17-QM-L

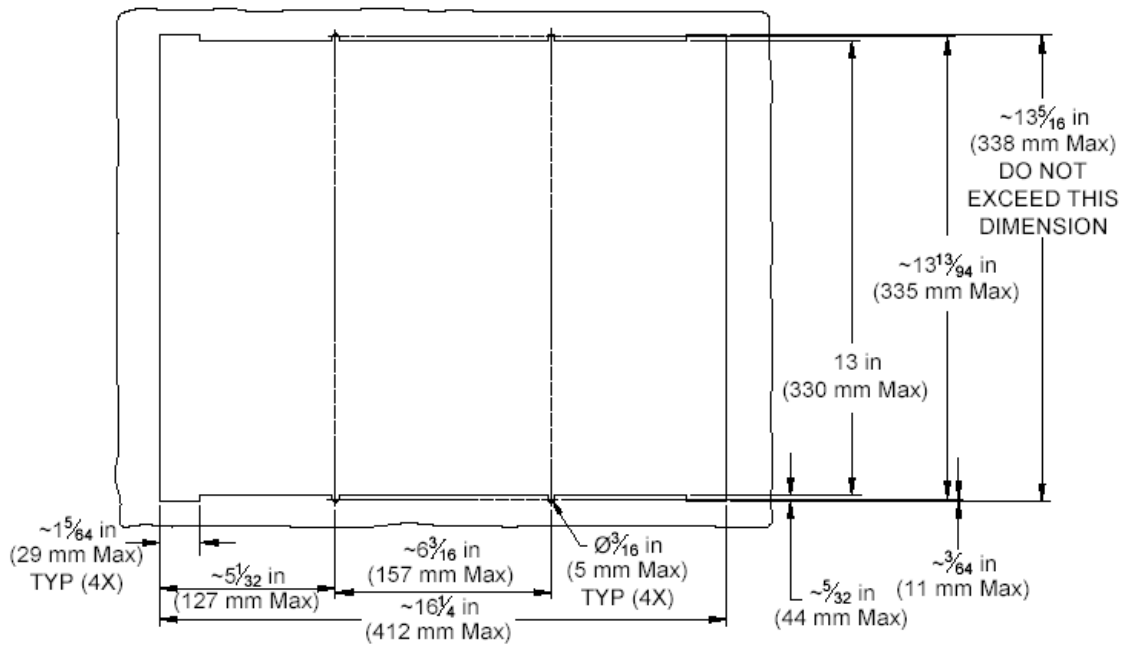
*Pre-Construction Mounting Options for the TPS-17L Touchpanels*

<b>PRE-CONSTRUCTION KITS</b>	<b>MODEL NUMBER</b>
Back Box Kit	BB-17L
Pre-Construction Kit	PMK-17L
Mud Mount Kit	MMK-17L
Trim Mount Kit	TMK-17L

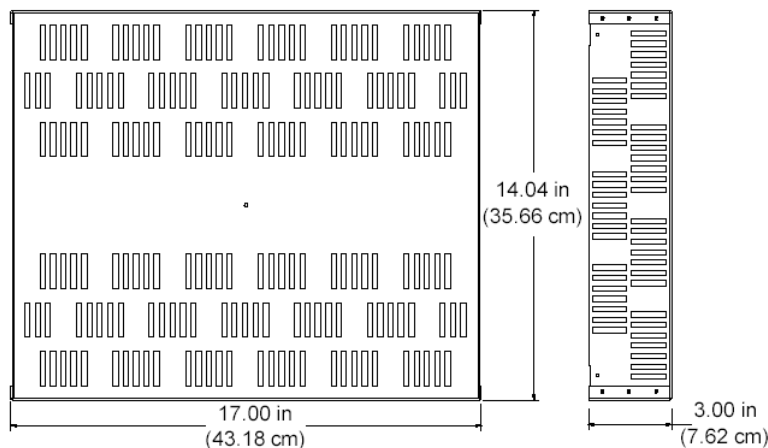
*Post-Construction Mounting Options for the TPS-17L Touchpanels*

<b>POST-CONSTRUCTION KITS</b>	<b>MODEL NUMBER</b>
Wall/Lectern Mount Trim Kit	WMKT-17L
Rack-Mount Kit	RMK-17L

*TPS-17L, TPMC-17-CH-L, & TPMC-17-QM-L Cutout Dimensions*



*Back Box BB-17L Dimensions*



TPS-2000L

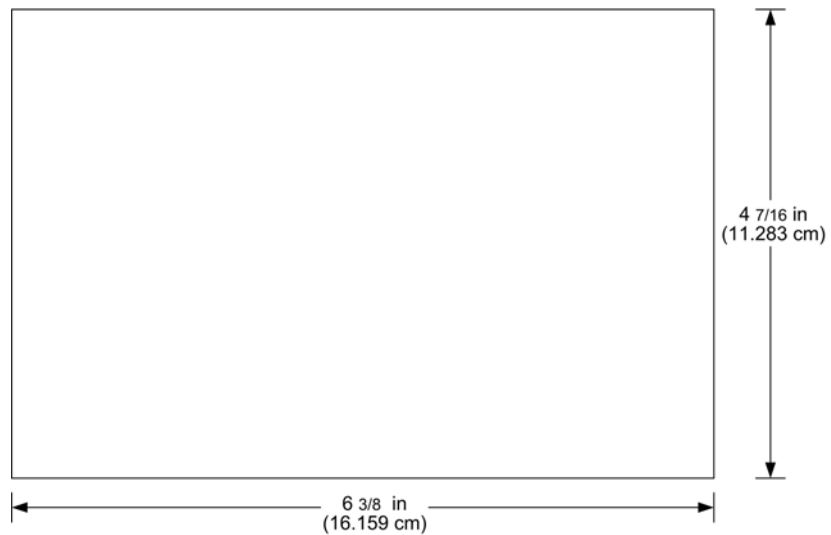
*Pre-Construction Mounting Options for the TPS-2000L Touchpanels*

<i>PRE-CONSTRUCTION KITS</i>	<i>MODEL NUMBER</i>
Back Box Kit	BB-2000L
Pre-Construction Kit	PMK-2000L
Mud Mount Kit	MMK-2000L
Trim Mount Kit	TMK-2000L

*Post-Construction Mounting Options for the TPS-2000L Touchpanels*

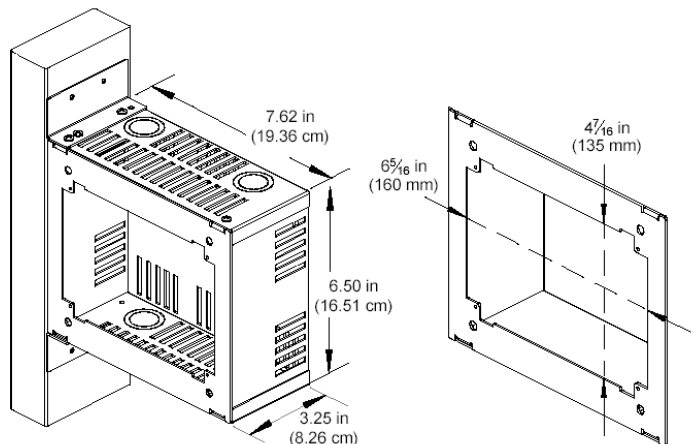
<i>POST-CONSTRUCTION KITS</i>	<i>MODEL NUMBER</i>
Wall Mount Mud Kit	WMKM-2000L
Wall Mount Trim Kit	WMKT-2000L
Water Resistant Cover	TPS-WPK

*TPS-2000L Cutout Dimensions*



**NOTE:** For additional TPS-2000L mounting information, refer to the latest version of the Crestron Touchpanel Mounting Quick Start, Doc. 6140, available from the Crestron website ([www.crestron.com](http://www.crestron.com)).

*Back Box BB-2000L and Mounting Plate Dimensions*





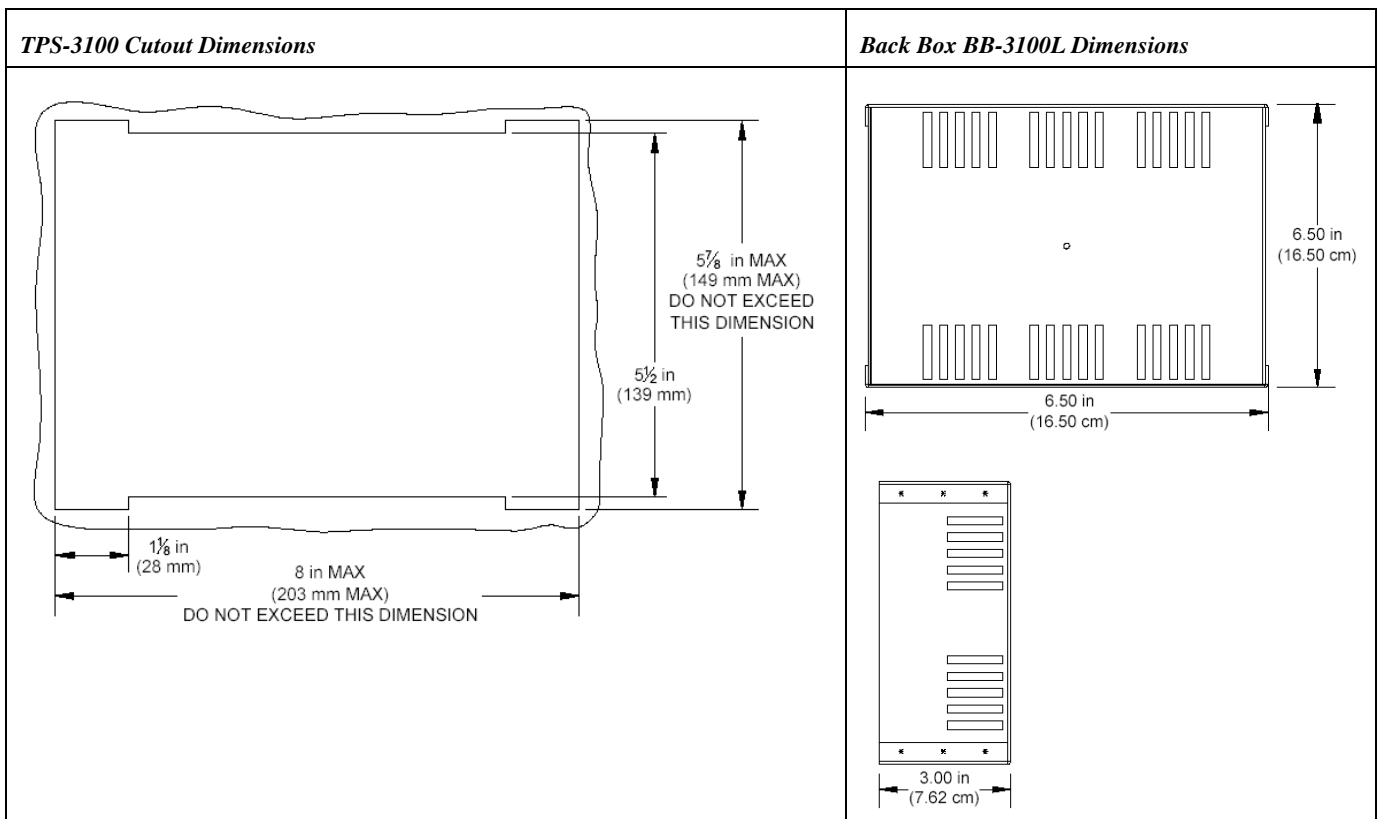
TPS-3100L

*Pre-Construction Mounting Options for the TPS-3100L Touchpanels*

<i>PRE-CONSTRUCTION KITS</i>	<i>MODEL NUMBER</i>
Back Box Kit	BB-3100L
Pre-Construction Kit	PMK-3100L
Mud Ring Only	MMK-3100L
Trim Ring Only	TMK-3100L

*Post-Construction Mounting Options for the TPS-3100L Touchpanels*

<i>POST-CONSTRUCTION KITS</i>	<i>MODEL NUMBER</i>
Wall/Lectern Mount Kit with Trim Ring	WMKT-3100L
Wall Mount Kit with Mud Ring	WMKM-3100L
Architectural Faceplates	TPS-FPAR3100L
Rack Mount Kit	RMK-3100L



**WARNING:** The TPS-3100L is physically different from the discontinued TPS-3000L and the mounting options and cutout dimensions are not interchangeable.

**NOTE:** For additional TPS-3100 mounting information, refer to the latest version of the Crestron Touchpanel Mounting Quick Start, Doc. 6140, available from the Crestron website ([www.crestron.com](http://www.crestron.com)).

TPS-4000L

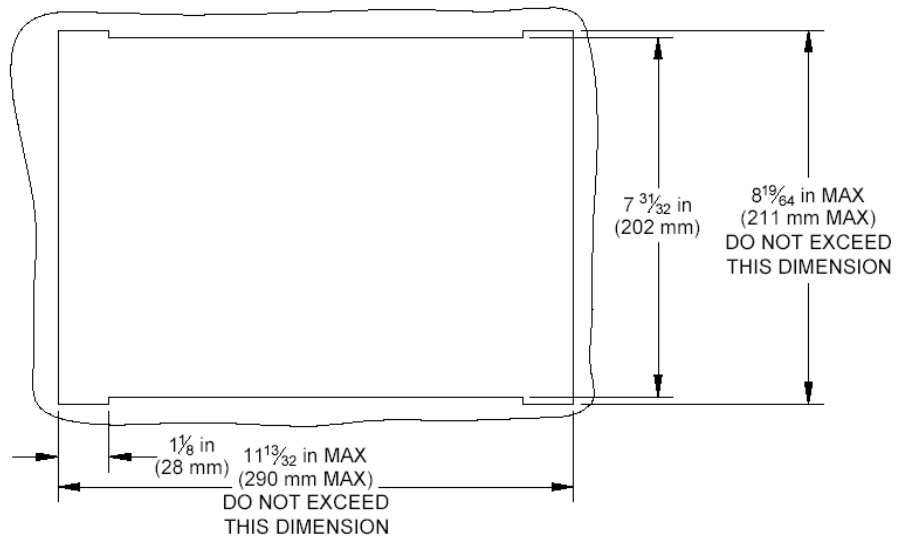
*Pre-Construction Mounting Options for the TPS-4000L Touchpanels*

<i>PRE-CONSTRUCTION KITS</i>	<i>MODEL NUMBER</i>
Back Box Kit	BB-4000L
Pre-Construction Kit	PMK-4000L
Mud Ring Only	MMK-4000L
Trim Ring Only	TMK-4000L

*Post-Construction Mounting Options for the TPS-4000L Touchpanels*

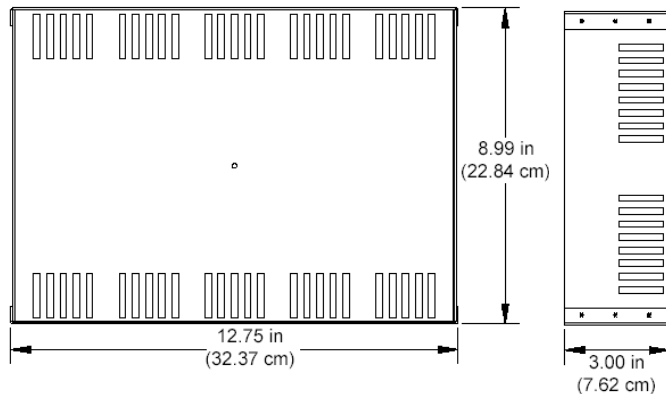
<i>POST-CONSTRUCTION KITS</i>	<i>MODEL NUMBER</i>
Wall/Lectern Mount Kit with Trim Ring	WMKT-4000L
Wall Mount Kit with Mud Ring	WMKM-4000L
Architectural Faceplates	TPS-FPAR4000L
Rack Mount Kit	RMK-4000L

*TPS-4000L Cutout Dimensions*



**NOTE:** For additional TPS-4000L mounting information, refer to the latest version of the Crestron Touchpanel Mounting Quick Start, Doc. 6140, available from the Crestron website ([www.crestron.com](http://www.crestron.com)).

*Back Box BB-4000L Dimensions*



TPS-4500L, TPS-4500LV & TPS-5000L

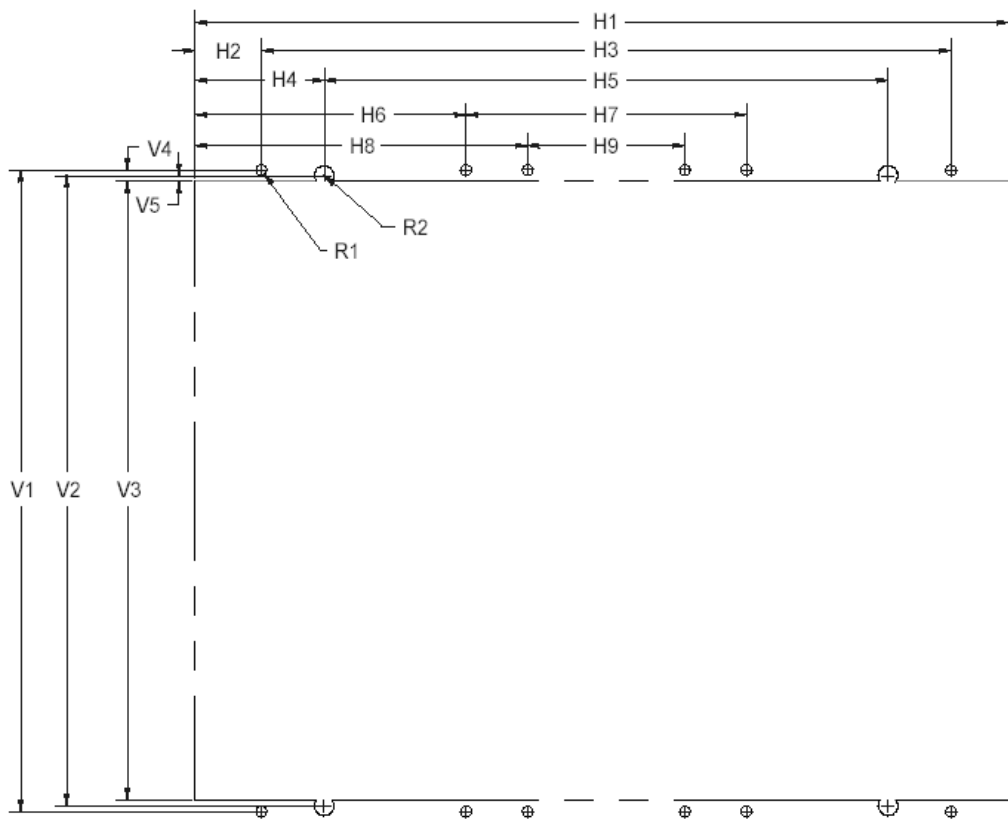
*Pre-Construction Mounting Options for the TPS-4500L, TPS-4500LV, & TPS-5000L Touchpanels*

<i>PRE-CONSTRUCTION KITS</i>	<i>MODEL NUMBER</i>
Back Box Kit	BB-5000L

*Post-Construction Mounting Options for the TPS-4500L, TPS-4500LV, & TPS-5000L Touchpanels*

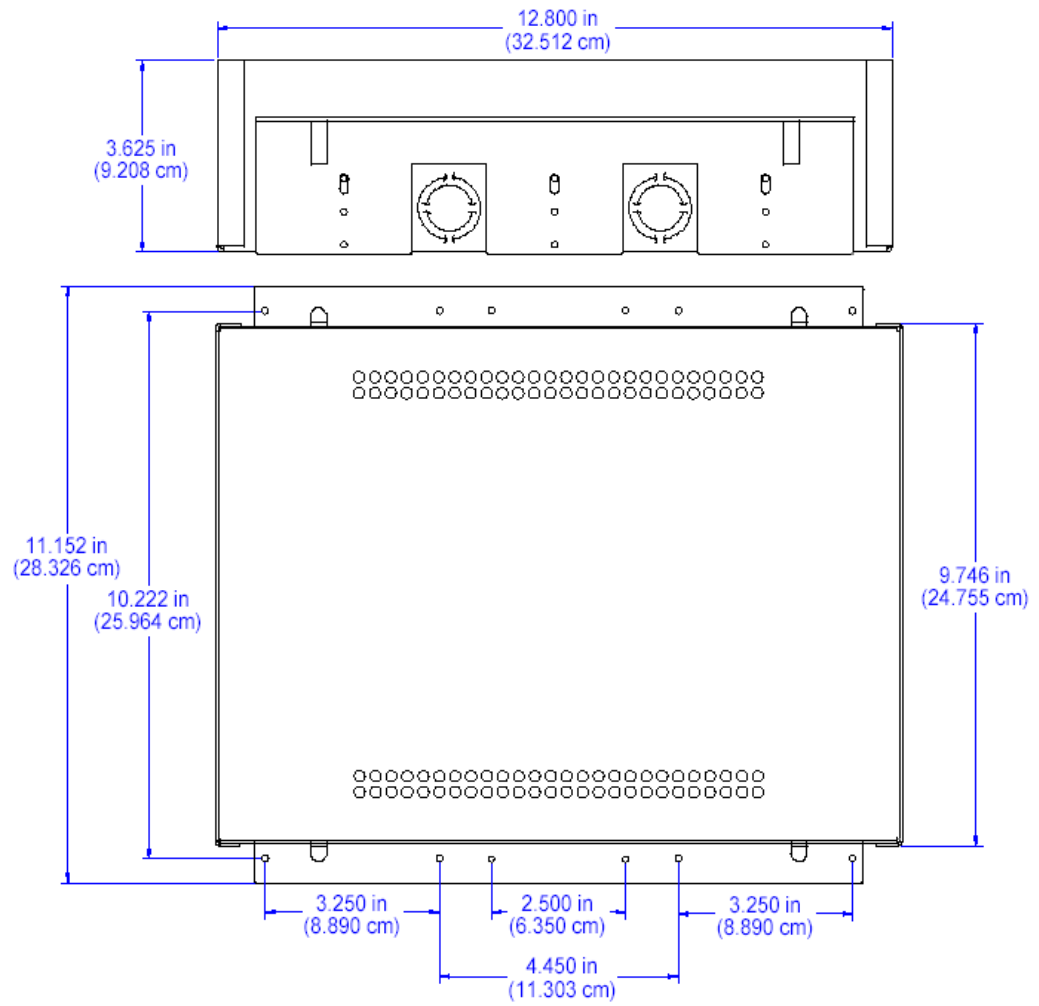
<i>POST-CONSTRUCTION KITS</i>	<i>MODEL NUMBER</i>
Architectural Faceplates	TPS-FPAR5000L
Rack Mount Kit	RMK-5000L

*TPS-4500L, TPS-4500LV & TPS-5000L Cutout Dimensions*



<b>HORIZONTAL MEASUREMENTS</b>	<b>VERTICAL MEASUREMENTS</b>	<b>RADIUS MEASUREMENTS</b>
H1 =12.920 in (32.817 cm)	V1 =10.223 in (25.966 cm)	R1 =0.161 in (0.409 cm) typical
H2 =1.056 in (2.682 cm)	V2 =10.043 in (25.509 cm)	R2 =0.312 in (0.792 cm) typical
H3 =10.951 in (27.816 cm)	V3 =9.866 in (25.060 cm)	
H4 =2.054 in (5.217 cm)	V4 =0.179 in (0.455 cm)	
H5 =8.953 in (22.741 cm)	V5 =0.089 in (0.226 cm)	
H6 =4.305 in (10.935 cm)		
H7 =4.452 in (11.308 cm)		
H8 =5.282 in (13.416 cm)		
H9 =2.500 in (6.350 cm)		

*Back Box BB-5000 Dimensions*



TPS-6000L

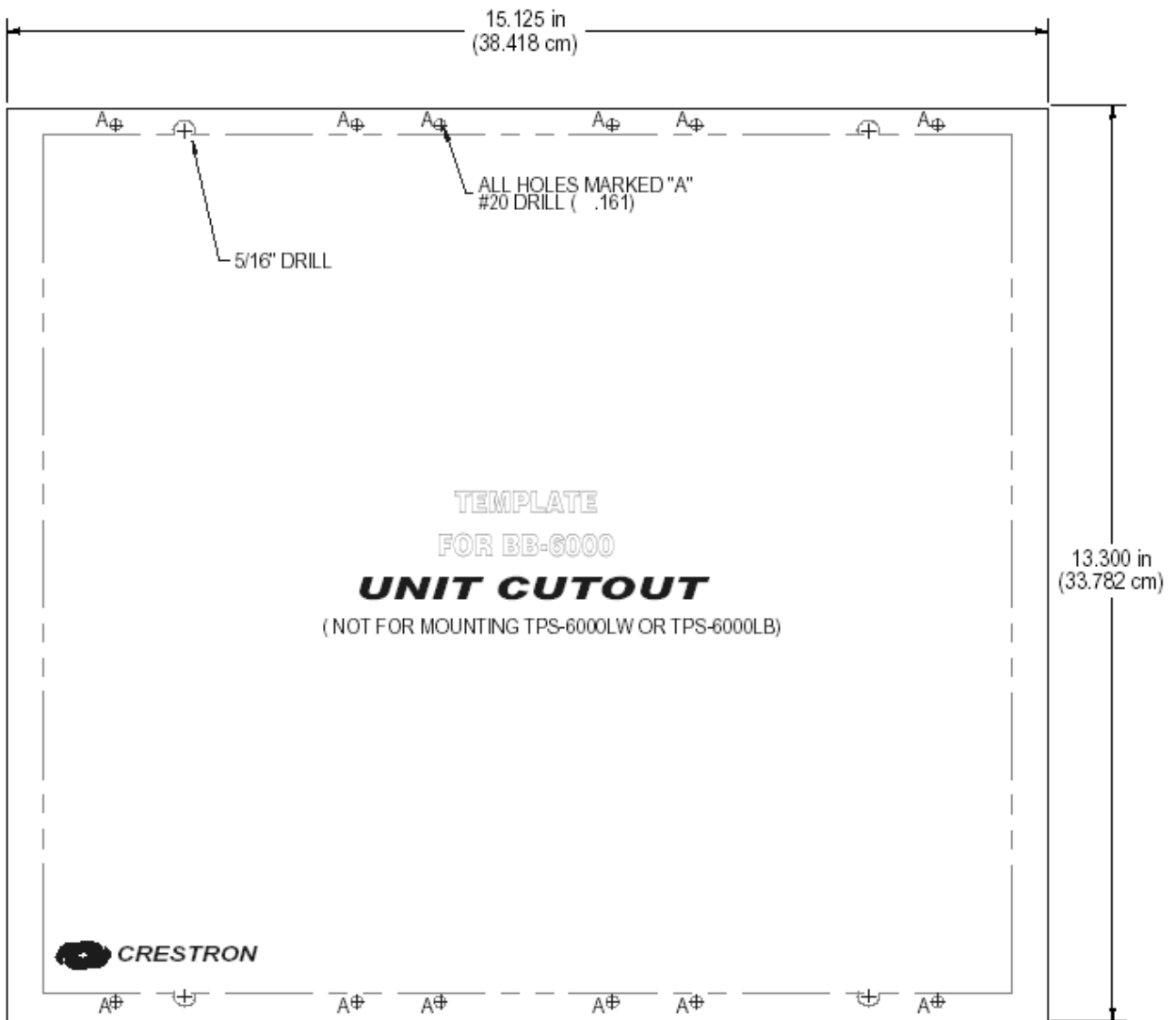
*Pre-Construction Mounting Options for the TPS-6000L Touchpanels*

<i>PRE-CONSTRUCTION KITS</i>	<i>MODEL NUMBER</i>
Back Box Kit	BB-6000L

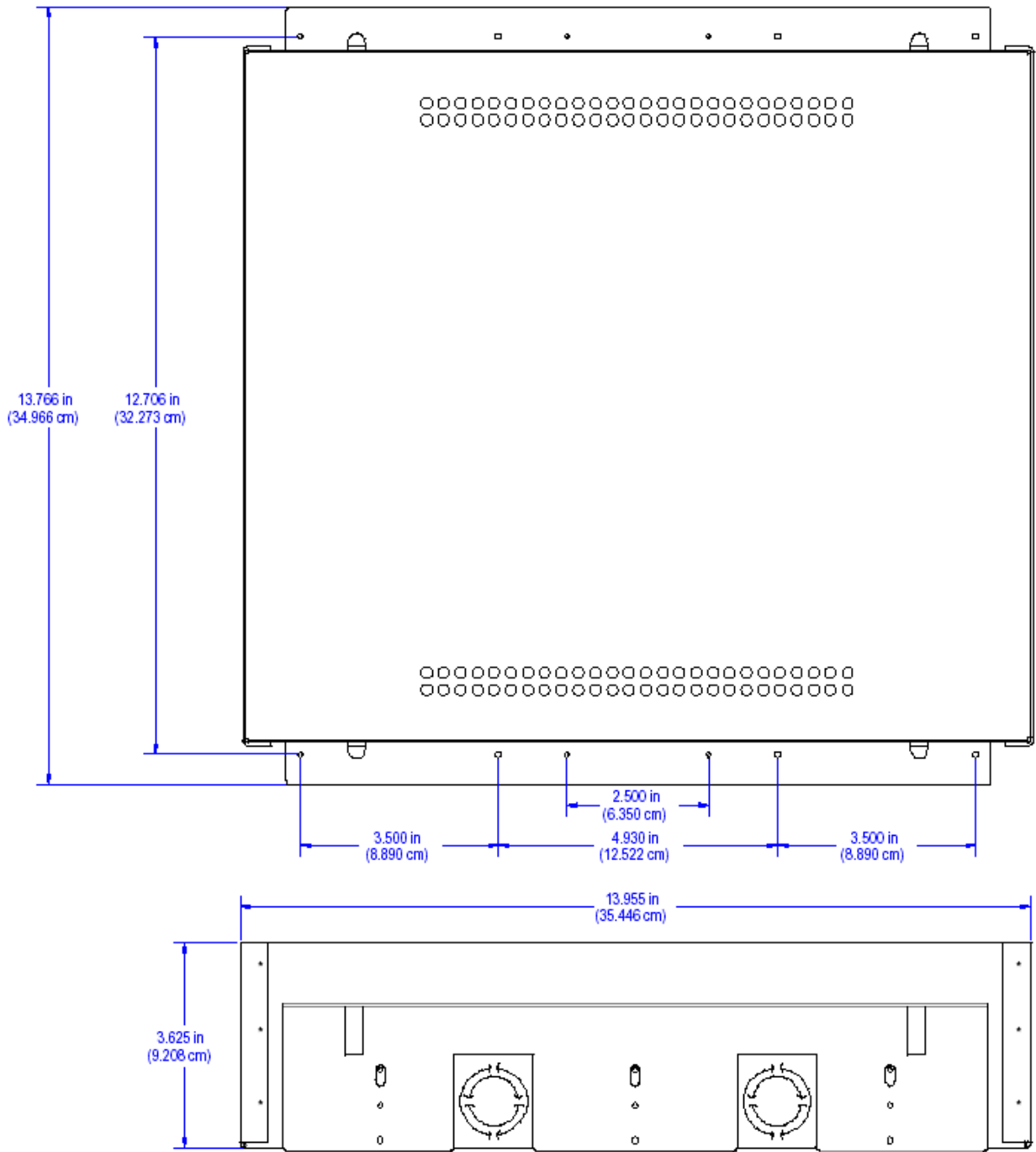
*Post-Construction Mounting Options for the TPS-6000L Touchpanels*

<i>POST-CONSTRUCTION KITS</i>	<i>MODEL NUMBER</i>
Architectural Faceplates	TPS-FPAR6000L
Rack Mount Kit	RMK-6000L

**BB-6000 Cutout Dimensions**



Back Box BB-6000L Dimensions



TPS-4L

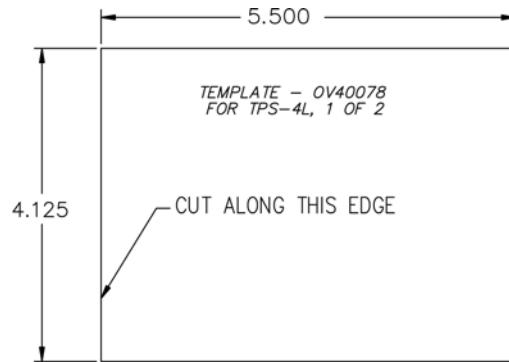
*Pre-Construction Mounting Options for the TPS-4L Touchpanels*

<i>PRE-CONSTRUCTION KITS</i>	<i>MODEL NUMBER</i>
Back Box Kit	BB-4L
Wall Mount Kit	PMK-4L
Trim Ring	TMK-4L
Mud Ring	MMK-4L

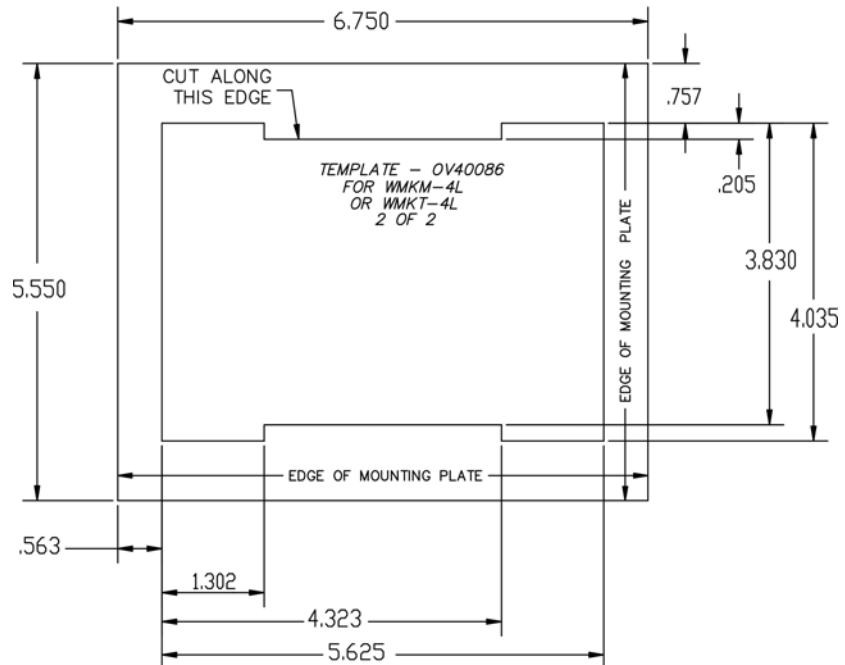
*Post-Construction Mounting Options for the TPS-4L Touchpanels*

<i>POST-CONSTRUCTION KITS</i>	<i>MODEL NUMBER</i>
Lectern/Wall Mounting Kit with Trim Ring	WMKT-4L
Wall Mount Kit with Mud Ring	WMKM-4L

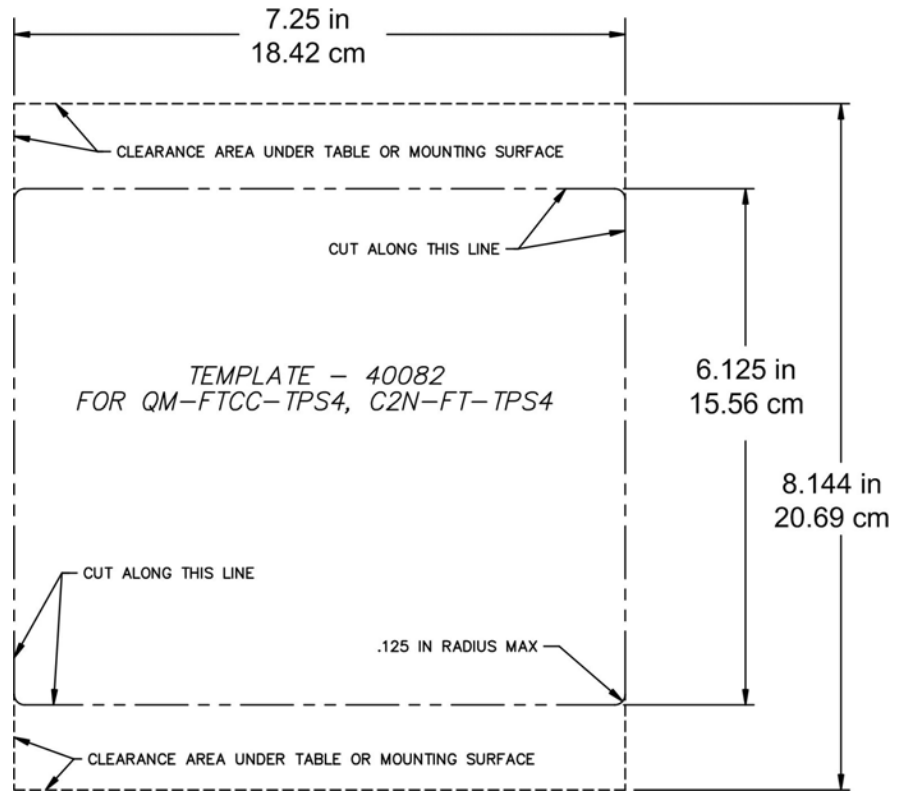
*TPS-4L Pre Construction Cutout Template Dimensions*



*TPS-4L Post Construction Cutout Template Dimensions*



C2N-FT-TPS4

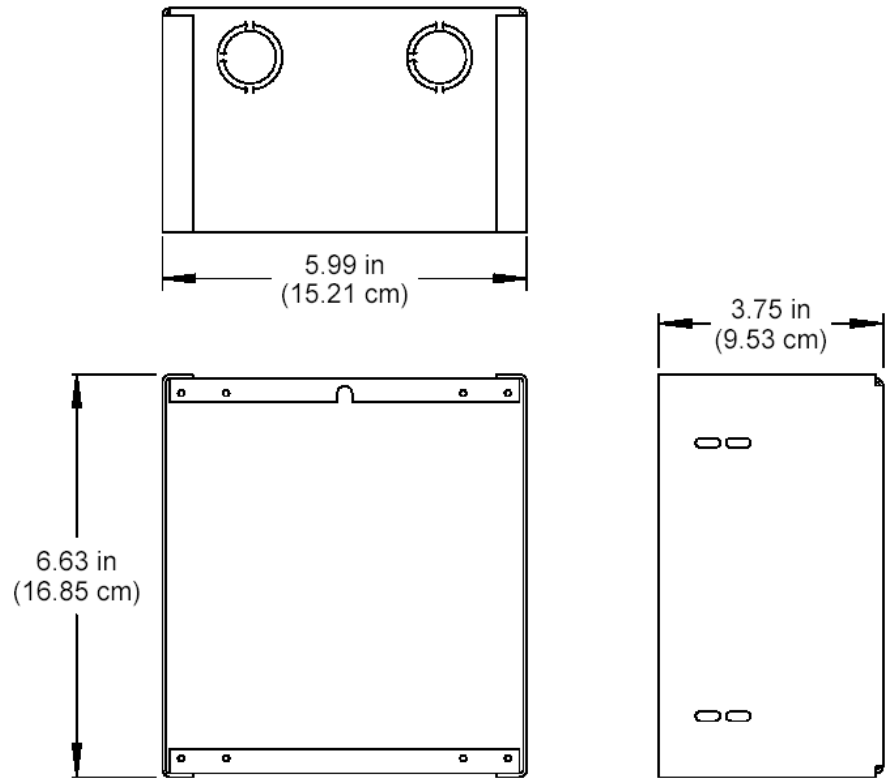




STX-1700CW and STX-1700XPW

Optional Mounting Devices	
DA-1700CW	Docking assembly, attaches to back box
BB-1700CW Back Box	Back box for wall mounting

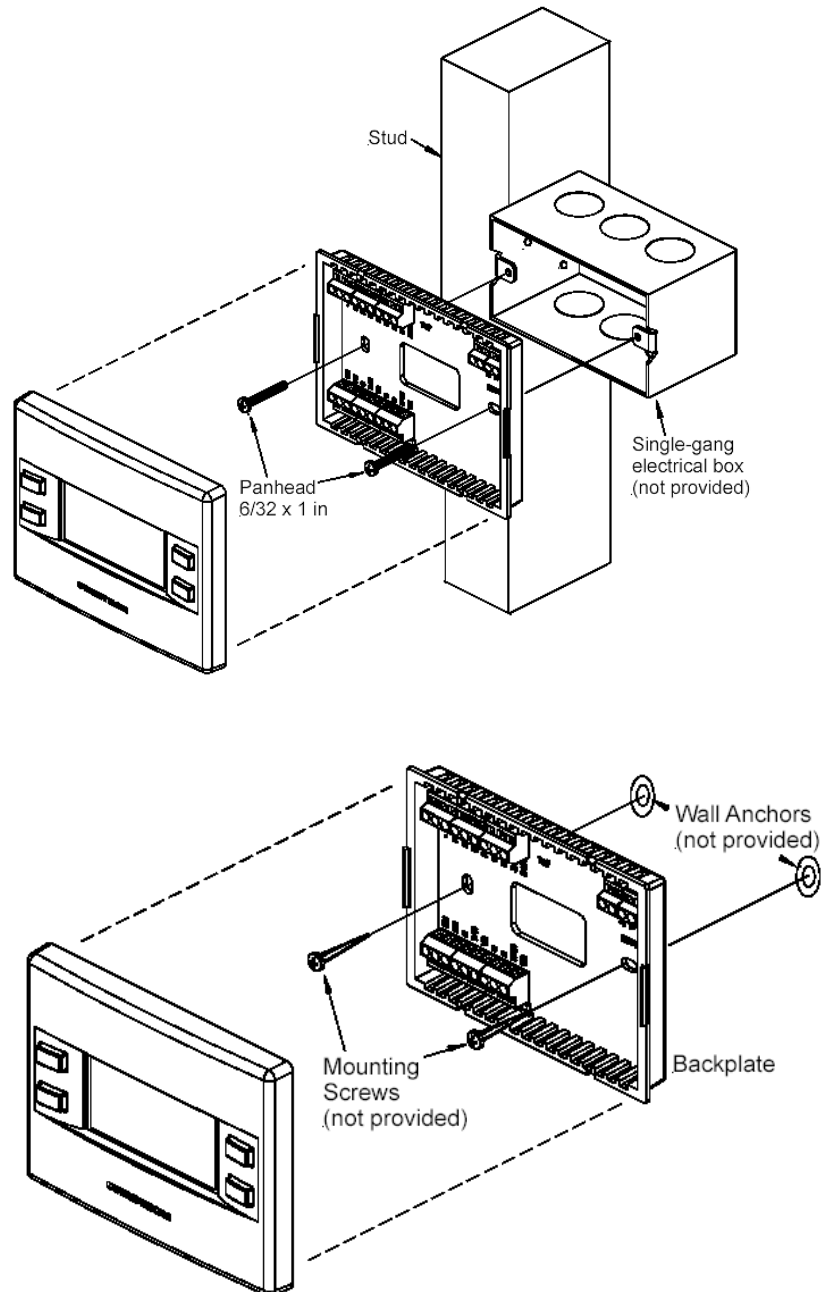
*Back Box Enclosure BB-1700CW Physical Views and Dimensions*



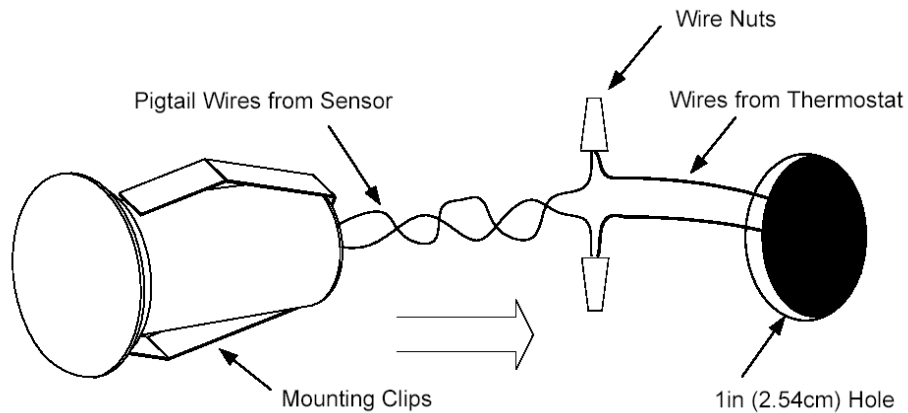
## Thermostats, Temperature and Temperature/Humidity Sensors

### CHV-TSTAT and CHV-THSTAT

Thermostats are mounted to a single-gang electrical box, or directly to the wall using hollow wall anchors.



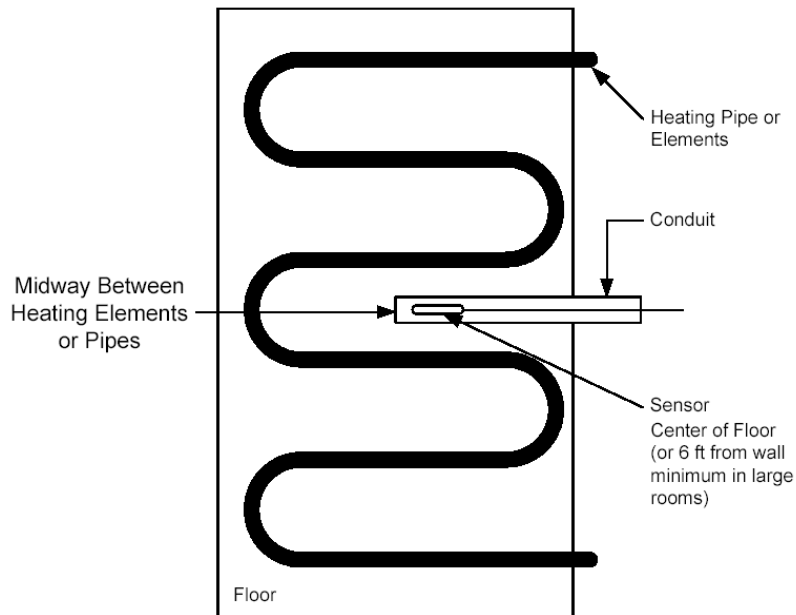
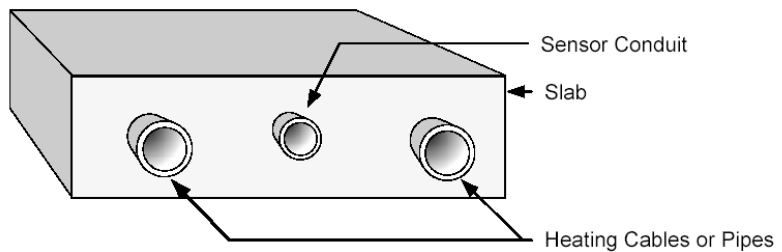
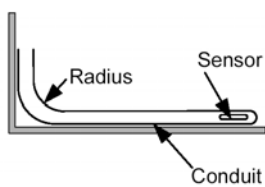
CHV-RTS & CHV-RTHS



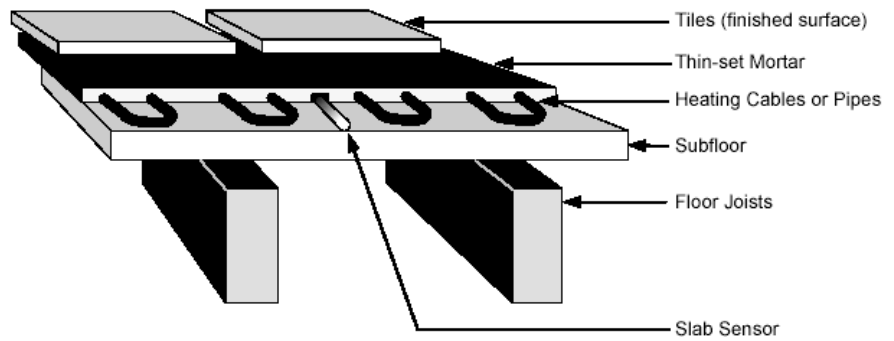
CHV-RSS

Crestron recommends that the sensor be placed inside a ½ inch Electrical Metallic Tubing (EMT) conduit. This allows future sensor replacement, if required. The radius of the bend at the wall should be approximately eight inches, to allow for removal and replacement of the sensor.

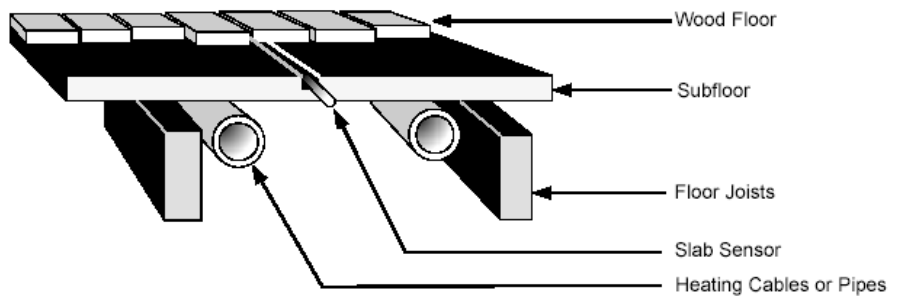
*Sensor Position – Side View*



*CHV-RSS Tile Floor Mounting*

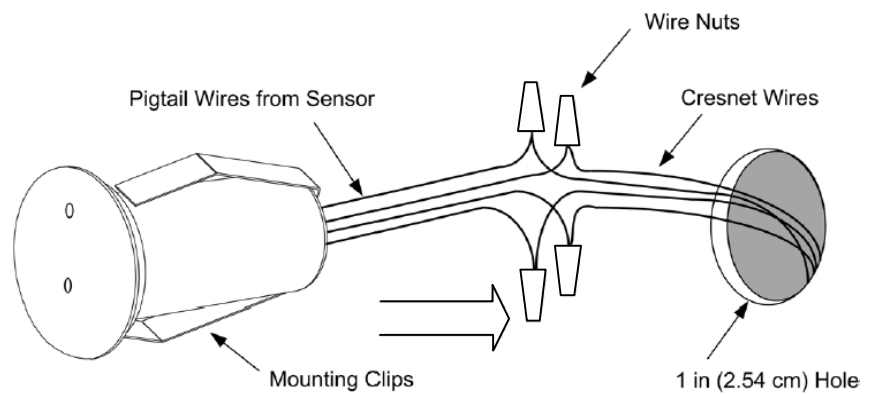


*CHV-RSS Wood Floor Mounting*



**C2N-RTHS**

**NOTE:** The C2N-RTHS is not to be used in conjunction with the CHV-TSTAT or the CHV-THSTAT. The C2N-RTHS is a Cresnet network device.



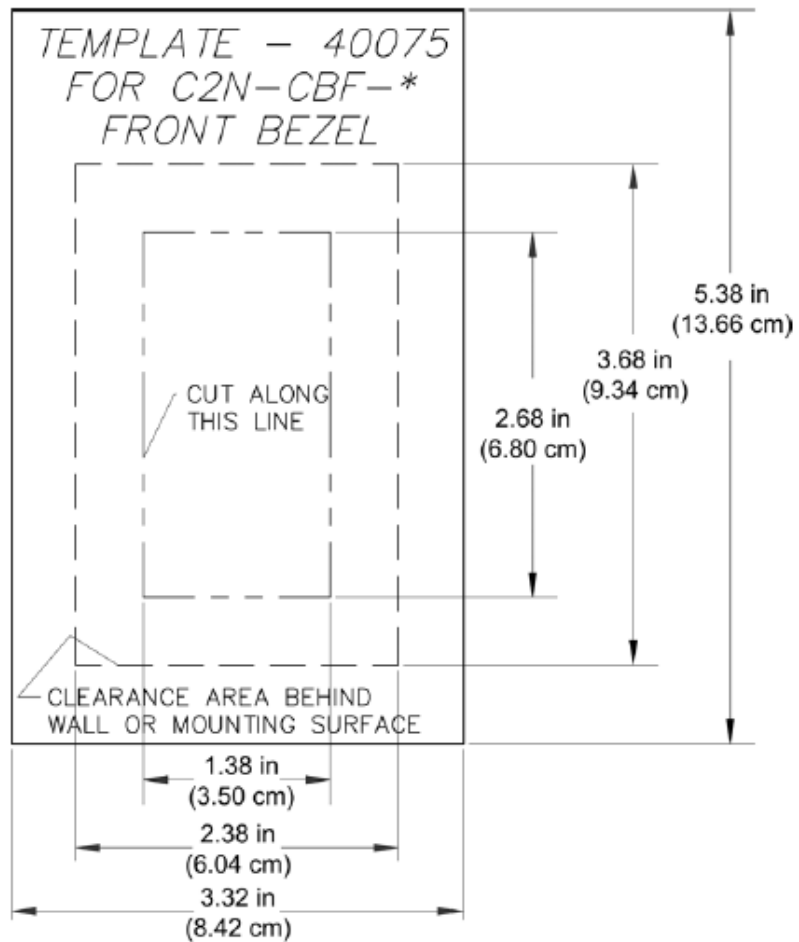
# Keypads

## C2N-CBF

The following figure illustrates the supplied template used to prepare the hole in the wall or other mounting surface for the flush mounting style Cameo keypad.

**NOTE:** Use only the original template, not a photocopy, to prepare the hole. Photocopies usually alter the size of the image slightly, which would make the hole the wrong size.

Be careful when cutting the hole, the spring clips on the keypad does not have provision for positioning adjustment. Also, ensure that there is a sufficient clearance area behind the mounting surface as shown on the template.



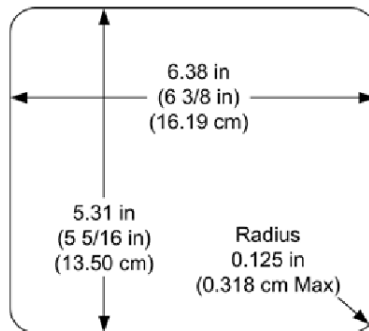
## MediaManager Devices

**QM-FTCC, QM-FTDC, QM-FTMC, QM-FTSC, QM-FTMCSC, QMI-FTCC, QMI-FTDC, QMI-FTMC, QMI-FTSC & QMI-FTMCSC**

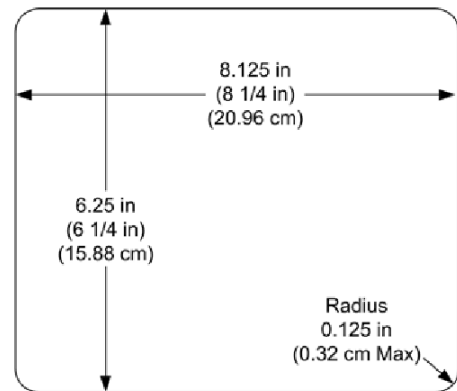
The QM domestic and QMI international Fliptops are designed to mount in a horizontal surface, such as a desk top, lectern, or podium. The following diagram illustrates the required opening size to accommodate the QM Fliptop. A cutout template (4006405 or 4006874) is included.

*Cutout Dimensions*

**QM (4006405)**

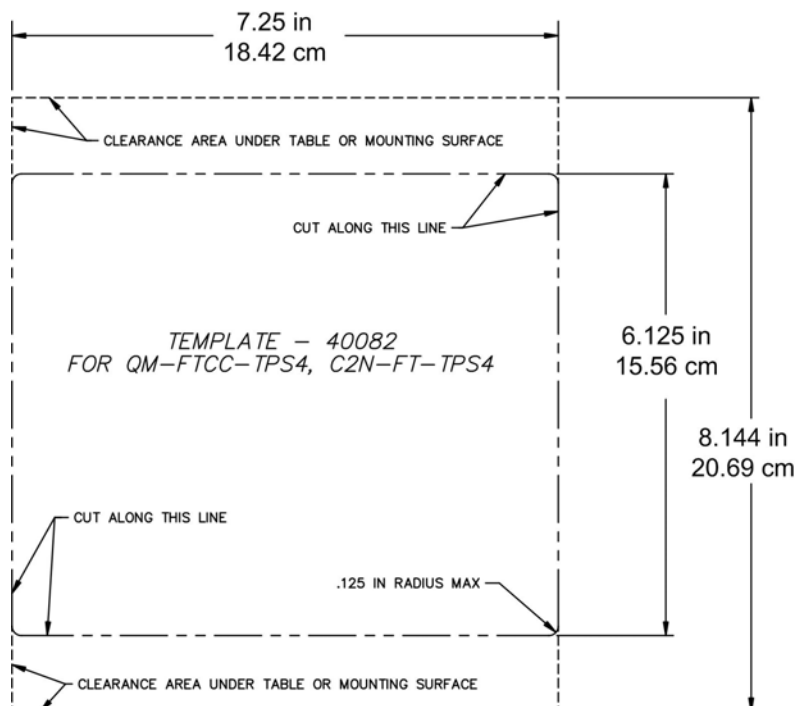


**QMI (4006874)**



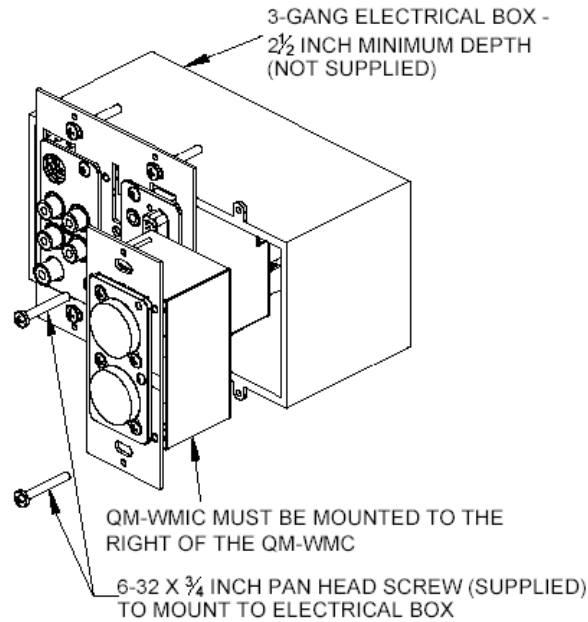
**NOTE:** Before inserting the QM-FTCC in the mounting hole, ensure that all required cables have been installed.

**QM-FTCC-TPS4**



**QM-WMC and QM-WMIC**

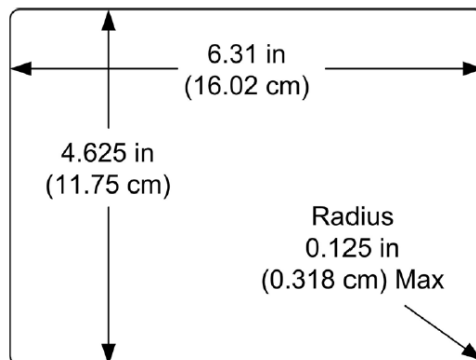
**NOTE:** The QM-WMIC can be installed when the QM-WMC is being installed or after the QM-WMC has been installed. If the QM-WMIC is to be installed into an existing QM-WMC installation, all electronic connections to the QM-WMC should be removed prior to removing the QM-WMC from its two-gang electrical wallbox. A three-gang box must replace the two-gang electrical wallbox.



**IM-FTCC-B**

The IM-FTCC-B is designed to mount in a horizontal surface, such as a desk top, lectern, or podium. The following diagram illustrates the required opening size to accommodate the IM-FTCC-B. Use the supplied template to make the cutout.

*Cutout Dimensions*

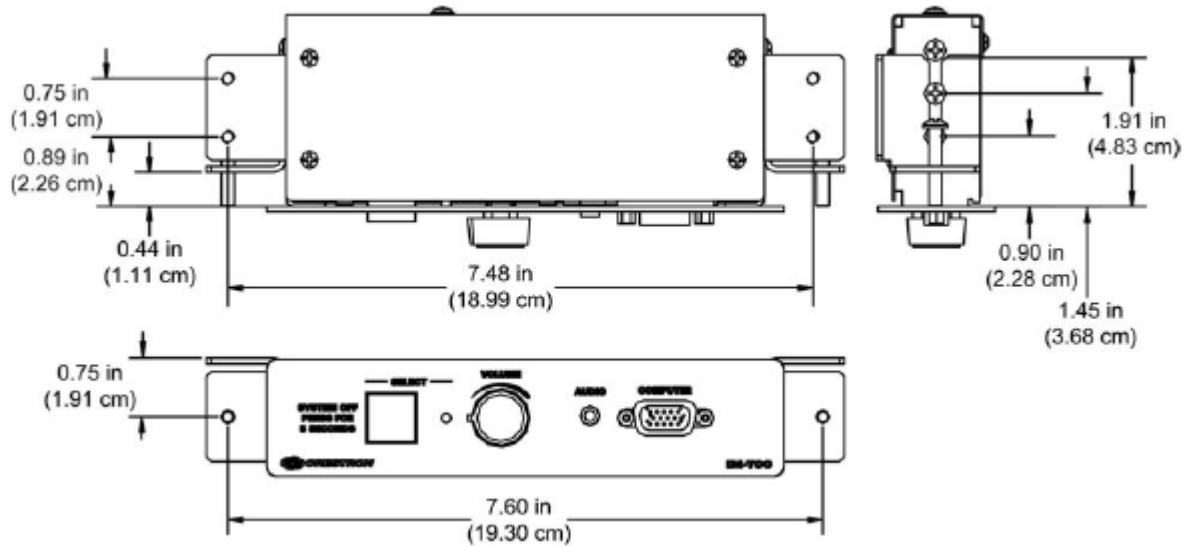


**NOTE:** Before inserting the IM-FTCC-B in the mounting hole, ensure that all required cables have been installed.

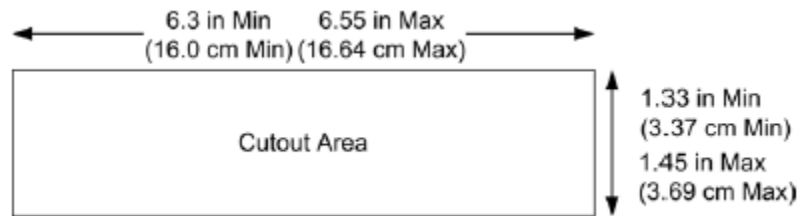
**IM-TCC**

The IM-TCC is designed to mount to the underside of a horizontal surface, such as a desktop, lectern, or podium, in a cutout area.

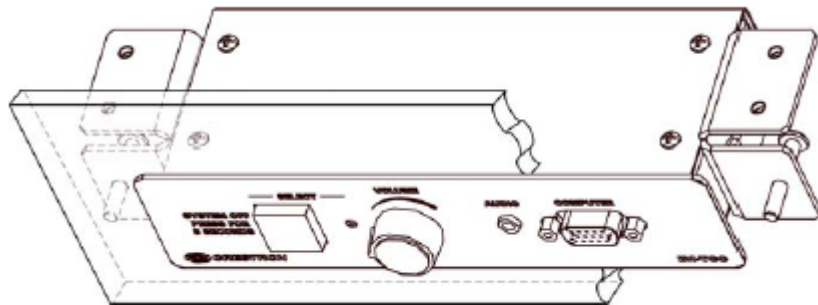
*Bracket Dimensions*



*Cutout Dimensions*



*Cutaway View of Mounting*

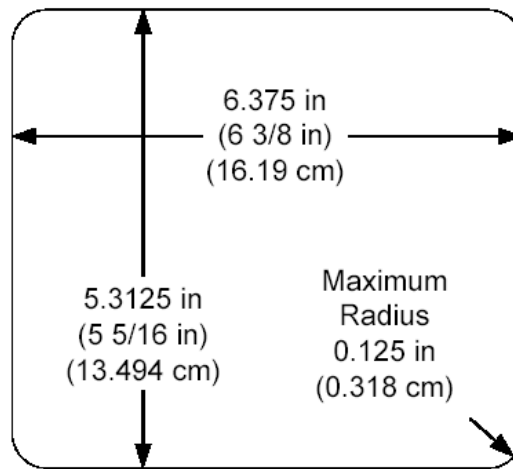




C2N-FTB

The C2N-FTB-B and the C2N-FTB-BALUM are Crestron keypad devices that provide a stylish flush-mount tabletop interface and control solution. The flip-top compartment provides organized storage for a variety of pullout computer, communication, and A/V cables, which stow neatly out of sight within the flip-top compartment when not in use. The keypad provides A/V, lighting, and other functional controls via Cresnet.

*Cutout Dimensions*



# Lighting and Shade/Drape Control

## CAEN Automation Enclosures

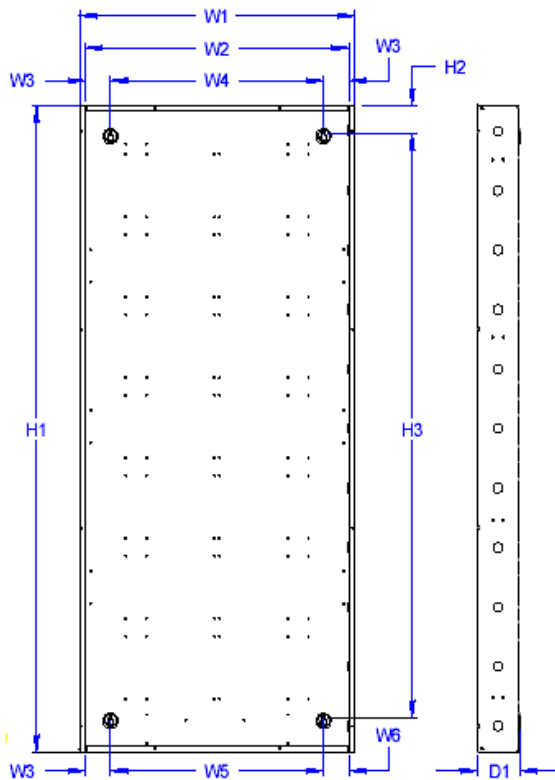
**CAUTION:** These enclosures house equipment that needs to be air-cooled. Therefore, mount in a well-ventilated area. The ambient temperature range should be 32°F to 104°F (0°C to 40°C). The relative humidity should range from 0% to 90% (non-condensing). Furthermore, allow adequate clearance in front of the vented cover for servicing and ventilation.

**NOTE:** Enclosures are intended for indoor use only.

**NOTE:** When flush mounting, 5/8" drywall is preferred.

**NOTE:** Four keyholes are located within the enclosure and should be used if surface mounting.

CAEN-Series enclosures are required to install CLX-Series lighting modules.



DIMENSIONS	CAEN-7x2	CAEN-7x1	CAEN-4x2	CAEN-4x1	CAEN-2x1
H1	62	62	38 <sup>7</sup> / <sub>8</sub>	38 <sup>7</sup> / <sub>8</sub>	23 <sup>1</sup> / <sub>2</sub>
H2	2 <sup>11</sup> / <sub>16</sub>	2 <sup>11</sup> / <sub>16</sub>	2 <sup>11</sup> / <sub>16</sub>	2 <sup>1</sup> / <sub>8</sub>	2 <sup>1</sup> / <sub>8</sub>
H3	56	56	32 <sup>7</sup> / <sub>8</sub>	34	18 <sup>5</sup> / <sub>8</sub>
W1	26 <sup>1</sup> / <sub>2</sub>	15 <sup>3</sup> / <sub>8</sub>	26 <sup>1</sup> / <sub>2</sub>	15 <sup>3</sup> / <sub>8</sub>	15 <sup>3</sup> / <sub>8</sub>
W2	25 <sup>1</sup> / <sub>2</sub>	14 <sup>3</sup> / <sub>8</sub>	25 <sup>1</sup> / <sub>2</sub>	14 <sup>3</sup> / <sub>8</sub>	14 <sup>3</sup> / <sub>8</sub>
W3	2 <sup>1</sup> / <sub>2</sub>	1 <sup>3</sup> / <sub>4</sub>	2 <sup>1</sup> / <sub>2</sub>	1 <sup>3</sup> / <sub>4</sub>	1 <sup>3</sup> / <sub>4</sub>
W4	20 <sup>1</sup> / <sub>2</sub>	10 <sup>7</sup> / <sub>8</sub>	20 <sup>1</sup> / <sub>2</sub>	10 <sup>7</sup> / <sub>8</sub>	10 <sup>7</sup> / <sub>8</sub>
W5	20 <sup>1</sup> / <sub>2</sub>	9 <sup>7</sup> / <sub>8</sub>	20 <sup>1</sup> / <sub>2</sub>	9 <sup>7</sup> / <sub>8</sub>	9 <sup>7</sup> / <sub>8</sub>
W6	2 <sup>1</sup> / <sub>2</sub>	2 <sup>3</sup> / <sub>4</sub>	2 <sup>1</sup> / <sub>2</sub>	2 <sup>3</sup> / <sub>4</sub>	2 <sup>3</sup> / <sub>4</sub>
D1	4 <sup>1</sup> / <sub>8</sub>	4 <sup>1</sup> / <sub>8</sub>	4 <sup>1</sup> / <sub>8</sub>	4 <sup>1</sup> / <sub>8</sub>	4 <sup>1</sup> / <sub>8</sub>
Cover Thickness	<sup>1</sup> / <sub>16</sub>	<sup>1</sup> / <sub>16</sub>	<sup>1</sup> / <sub>16</sub>	<sup>1</sup> / <sub>16</sub>	<sup>1</sup> / <sub>16</sub>
Cover Height	62 <sup>3</sup> / <sub>4</sub>	62 <sup>3</sup> / <sub>4</sub>	39 <sup>5</sup> / <sub>8</sub>	39 <sup>5</sup> / <sub>8</sub>	24 <sup>1</sup> / <sub>4</sub>
Cover Width	27 <sup>1</sup> / <sub>4</sub>	16 <sup>1</sup> / <sub>8</sub>	27 <sup>1</sup> / <sub>4</sub>	16 <sup>1</sup> / <sub>8</sub>	16 <sup>1</sup> / <sub>8</sub>
Weight (empty)	65	42	43	28	19
Weight (filled)	155	88	95	55	31

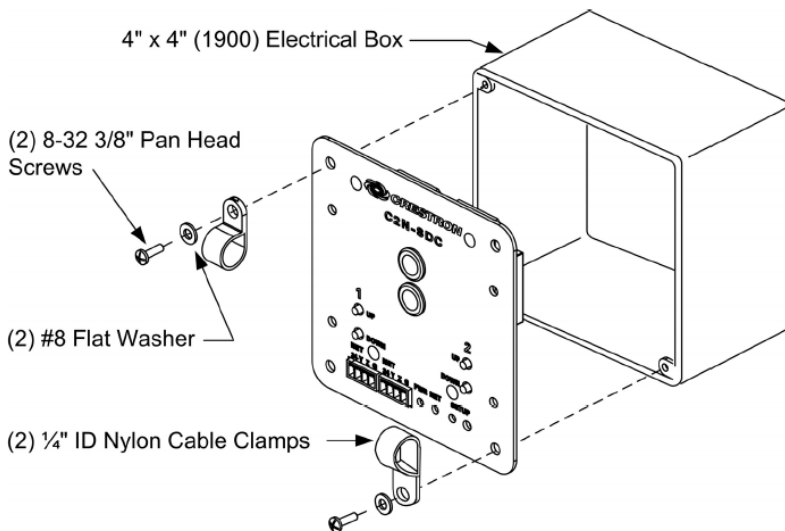
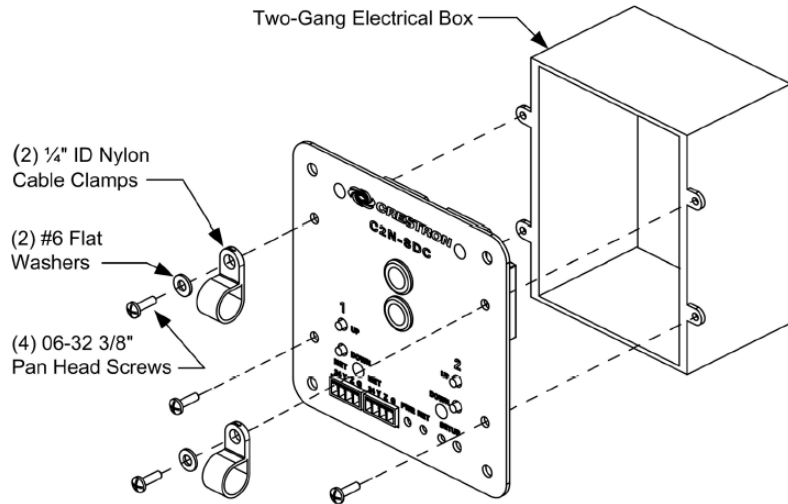
All measurements of length are in inches and weight is in pounds. The lower keyholes are not symmetrically spaced within single-wide enclosures.

Weight (empty) is the weight of an empty enclosure with cover.

Weight (filled) is the weight with the maximum number of modules installed.

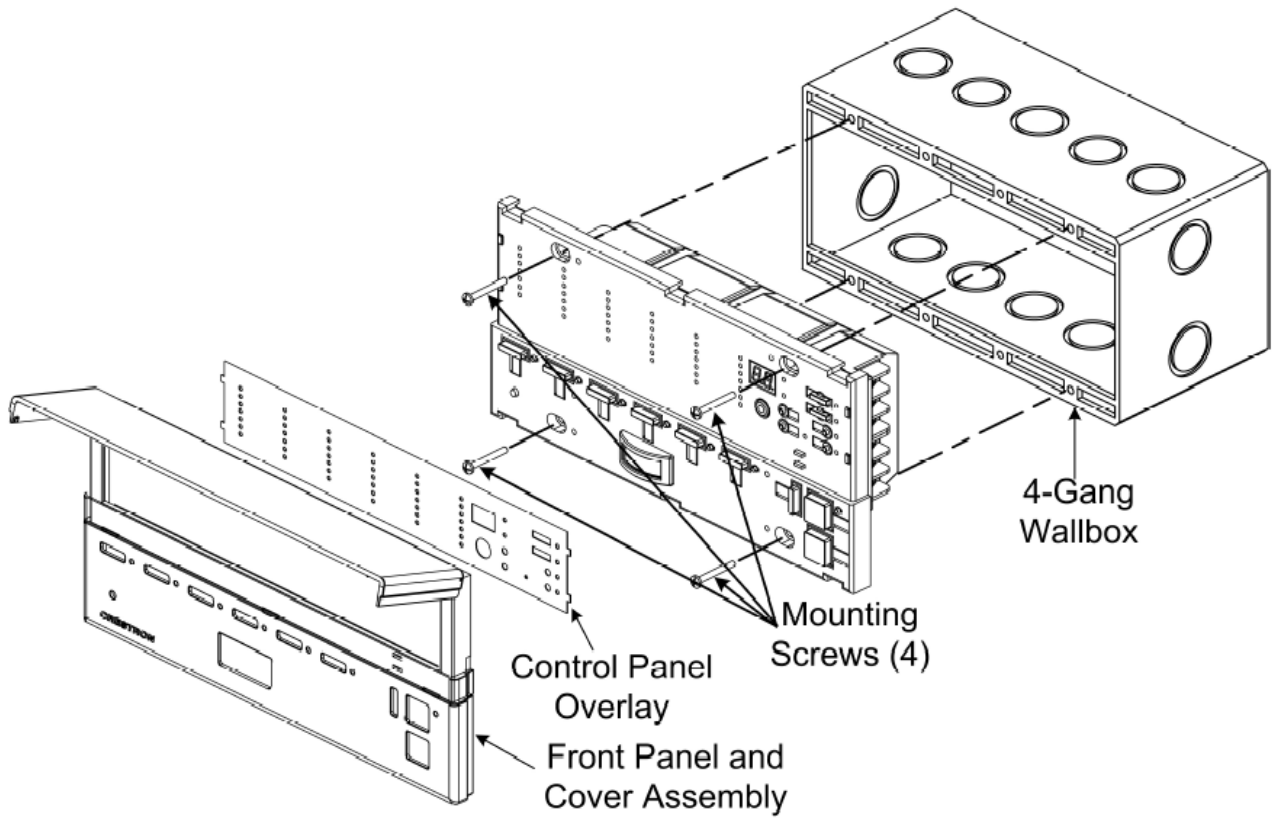
## C2N-SDC and C2N-SDC-DC

The C2N-SDC and C2N-SDC-DC may be mounted in a two-gang electrical box or a 4" x 4" (1900) electrical box. Ensure that you are using a box with sufficient depth (minimum 1 1/2") to accommodate the wires and connectors required.



**CLS-C6 and CLS-C6M**

The CLS-C6 and CLS-C6M mount in a standard 4-gang electrical box.



## **Further Inquiries**

If you cannot locate specific information or have questions after reviewing this guide, please take advantage of Crestron's award winning customer service team by calling the Crestron corporate headquarters at 1-888-CRESTRON [1-888-273-7876]. For assistance in your local time zone, refer to the Crestron website ([www.crestron.com](http://www.crestron.com)) for a listing of Crestron worldwide offices.

You can also log onto the online help section of the Crestron website to ask questions about Crestron products. First-time users will need to establish a user account to fully benefit from all available features.



**Crestron Electronics, Inc.**  
15 Volvo Drive Rockleigh, NJ 07647  
Tel: 888.CRESTRON  
Fax: 201.767.7576  
[www.crestron.com](http://www.crestron.com)

---

**Cutout Dimensions & Mounting Options**  
**Doc. 4926B**  
**11.06**  
Specifications subject to  
change without notice.