

SAROS ICE4T

Saros® Express 4" 2-Way In-Ceiling Speaker

- > 2-way in-ceiling speaker
- > 4" woofer with damped cloth surround
- > Dual front ports for enhanced low-frequency response
- > Wide-dispersion, horn-loaded dome tweeter
- > Built-in 30 Watt 70/100V multi-tap transformer
- > "Zero-bezel" frameless grille for a clean, contemporary appearance
- > Integral metal back can with top and side conduit knockouts
- > Two-step toggle clamps for fast, easy installation
- > Includes tile bridge for installation in a drop-tile ceiling
- > Meets the requirements for installation in an environmental air-handling space
- > 40 Watts program power handling at 8 Ohms
- > 85Hz-20kHz frequency response
- > 95° nominal coverage pattern
- > Available in black or white
- > Paintable to blend with surroundings



Saros® Express speakers by Crestron® deliver easy installation and excellent performance in a range of popular sizes for cost-sensitive commercial applications. Ideal for use in background music, paging, and sound reinforcement systems, Saros Express speakers are engineered to achieve full, even coverage and clear sound quality at a very affordable cost.

The Saros Express ICE4T model is a 2-way in-ceiling speaker featuring a 4 inch woofer and wide-dispersion, horn-loaded 3/4 inch dome tweeter. A built-in 30 Watt multi-tap transformer allows for use with 70 and 100 Volt distributed speaker systems. Power handling at 8 Ohms is 40 Watts (program), with a frequency response from 85 Hz to 20 kHz ± 3 dB.

Like its more expensive sibling, the Saros IC4T, the Saros Express ICE4T is smartly designed for quick and easy installation and reliable performance. Its "zero-bezel" frameless grille achieves an unobtrusive and contemporary appearance well-suited for use in restaurants and night clubs, retail spaces, houses of worship, convention facilities, universities, and office buildings. Installing the grille requires no hardware or tools, utilizing powerful magnets to hold it in place. A safety tether is included to prevent the grille from ever falling from the ceiling.

Unitized construction of the speaker enclosure simplifies specification and installation for use in new and existing ceilings. Mounting the speaker is facilitated using rugged, 2-step toggle clamps integrated into the enclosure. Each toggle clamp offers two positions to accommodate standard and extra thick surfaces up to 2.4 inches (61 mm). A tile bridge is included to provide proper support when installed in a typical drop-tile ceiling. The tile bridge is adjustable to enable off-center speaker positioning, and can be folded to fit through the speaker cutout in blind-mount situations. Two rigging points are also provided on the top of

the speaker enclosure for securing to the building structure using the optional safety tether kit (SPKA-ST-15⁽¹⁾).

An integral metal back can is employed to meet the requirements for installation in an environmental air-handling (plenum) space. The wiring connection is accessible behind a rear cover panel by removing a single screw. Top and side knockouts are provided on the cover panel to accommodate 1/2" or 3/4" flexible conduit. A cable clamp is also provided. Connecting the wiring behind the cover panel is facilitated using a detachable screw terminal block with provisions for easy parallel wiring in a multi-speaker application. Setting the 70/100V transformer tap is performed via a screwdriver-adjustable control located on the front baffle behind the grille.

Saros Express ICE4T speakers are available in white or black, and can be painted to blend with the ceiling surface. They are priced individually, but must be ordered in pairs.

SPECIFICATIONS

Features & Performance

Woofer: 4 inch (102 mm) treated paper w/ring mode decoupled cloth surround & steel basket

Tweeter: 0.79 inch (20 mm) treated cloth dome, horn loaded

Crossover Frequency: 2 kHz

Impedance: 8 Ohms nominal with transformer set to "8 Ω "

Transformer Taps: 3.75W/7.5W/15W/30W at 70V;
7.5W/15W/30W at 100V

Frequency Response: 85 Hz to 20 kHz (± 3 dB)

SAROS ICE4T Saros® Express 4" 2-Way In-Ceiling Speaker

Frequency Range: 75 Hz to 20 kHz (-10 dB)
Power Handling: 40 Watts program (8 Ohms)
Sensitivity: 89 dB @ 1W/1m
Coverage: 95° conical (nominal)

Connections

Input: (1) 4-pin 5mm detachable terminal block with screw-down flanges;
Speaker input with parallel pass-thru;
Maximum Wire Size: 12 AWG

Controls

Transformer Tap: (1) Recessed screwdriver-adjustable rotary switch on baffle; used to select 70/100V tap or 8 Ohms (bypass)

Environmental

Temperature: -2° to 120°F (-19° to 49°C)
Humidity: 5% to 95% RH (non-condensing)

Construction

Enclosure: Zinc-plated steel, plenum-rated, 1/2" or 3/4" conduit knockout top and side, (1) cable clamp included
Baffle: ABS UL94V-0 plastic
Grille: Steel with white or black textured finish, paintable, magnetically-held "zero-bezel" frameless design, safety tether included
Mounting: Flush ceiling mount using 4 integral 2-step toggle clamps;
2.4 in (61 mm) maximum surface thickness;
6.9 in (176 mm) minimum mounting depth;
7.7 in (195 mm) diameter recommended cutout;
Tile bridge included;
(2) rigging points for safety tether (SPKA-ST-15 sold separately)

Dimensions

Diameter: 8.53 in (217 mm) not including toggles
Depth: 7.13 in (181 mm)

Weight

7.0 lb (3.2 kg)

MODELS & ACCESSORIES

Available Models

SAROS ICE4T-B-T-EACH: Saros® Express 4" 2-Way In-Ceiling Speaker, Black Textured, Single (must be ordered in multiples of 2)
SAROS ICE4T-W-T-EACH: Saros® Express 4" 2-Way In-Ceiling Speaker, White Textured, Single (must be ordered in multiples of 2)

Available Accessories

SPKA-ST-15: Safety Tether/Tie Down Kits, 10 Sets
SPKA-NCTP-IC410: New-Construction Speaker Templates, Flat
SPKA-NCTP-IC411: New-Construction Speaker Templates, Collared
SPKA-GRILLE-IC410: Round Grilles (for replacement)
SAROS ICS8T: Saros® 8" In-Ceiling Subwoofer

Notes:

1. Item(s) sold separately.

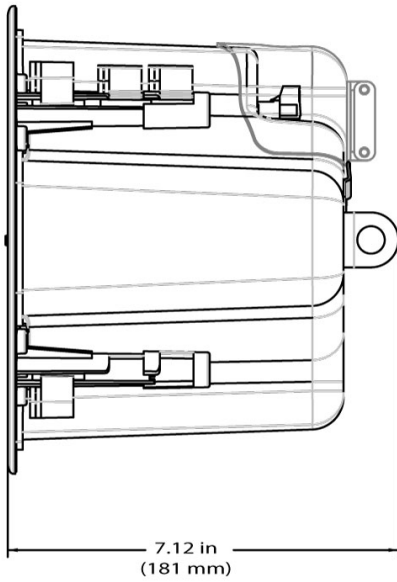
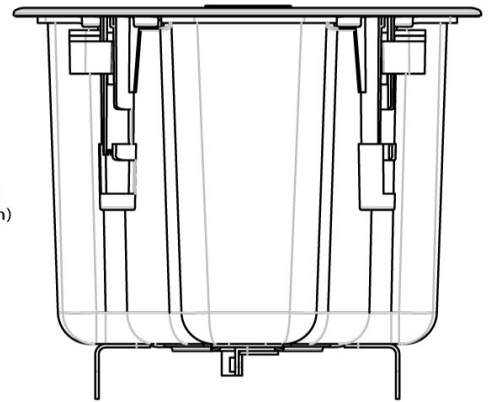
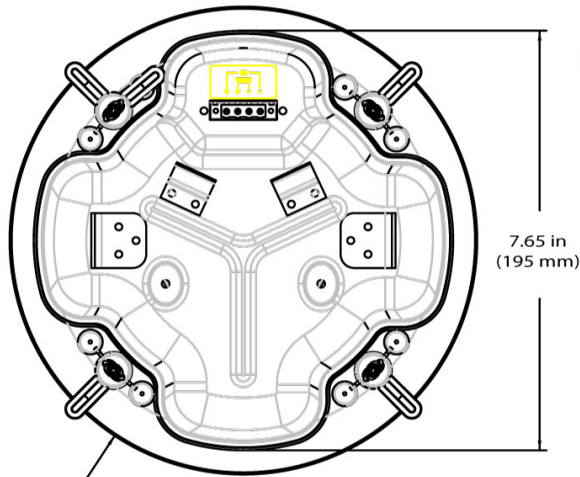
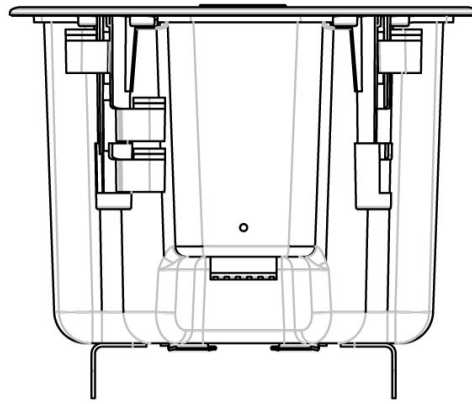
Crestron warrants to the original end purchaser that this Crestron Speaker Product, when purchased directly from Crestron or an authorized Crestron Dealer, will be free from defects in material and workmanship for the life of the product except for speaker grilles and outdoor rated speakers, which are warranted for five (5) years. Crestron will at its option and expense either repair the defect or replace the Speaker Product with a new or remanufactured Product or a reasonable equivalent. In cases where a new model is substituted, a modification to the mounting surface may be required. If mounting surface modification is required, Crestron assumes no responsibility or liability for such modifications.

This product may be purchased from an authorized Crestron dealer. To find a dealer, please contact the Crestron sales representative for your area. A list of sales representatives is available online at www.crestron.com/salesreps or by calling 800-237-2041.

The specific patents that cover Crestron products are listed online at: patents.crestron.com.

Crestron, the Crestron logo, and Saros are either trademarks or registered trademarks of Crestron Electronics, Inc. in the United States and/or other countries. Other trademarks, registered trademarks, and trade names may be used in this document to refer to either the entities claiming the marks and names or their products. Crestron disclaims any proprietary interest in the marks and names of others. Crestron is not responsible for errors in typography or photography. Specifications are subject to change without notice. ©2015 Crestron Electronics, Inc.

SAROS ICE4T Saros® Express 4" 2-Way In-Ceiling Speaker



n 8.52 in
(217 mm)

