

VECTOR YOKE Series

Yoke Brackets for Vector™ Performance Loudspeakers

These yoke brackets offer a versatile mounting option for Vector™ Performance Loudspeakers. They are designed to allow for attachment to a wall, ceiling, soffit, truss, or pole (hardware not included). Each bracket ships with two socket head cap screws to attach the yoke bracket to the speaker.

Please note, there is no yoke bracket available for speaker models VECTOR CD1565 or CD1595.

SPECIFICATIONS

Construction

Steel, black finish

Weight

YOKE6: 2.0 lb (0.9 kg)
YOKE8D: 2.8 lb (1.3 kg)
YOKE12: 5.0 lb (2.3 kg)
YOKE12D: 5.0 lb (2.3 kg)
YOKE15: 5.0 lb (2.3 kg)

MODELS & ACCESSORIES

Available Models

VECTOR YOKE6: Yoke Bracket for VECTOR CS699
VECTOR YOKE8D: Yoke Bracket for VECTOR CD896
VECTOR YOKE12: Yoke Bracket for VECTOR CS1265 & CS1295
VECTOR YOKE12D: Yoke Bracket for VECTOR CD1265 & CD1295
VECTOR YOKE15: Yoke Bracket for VECTOR CS1565 & CS1595

Notes:

This product may be purchased from an authorized Crestron dealer. To find a dealer, please contact the Crestron sales representative for your area. A list of sales representatives is available online at www.crestron.com/salesreps or by calling 800-237-2041.

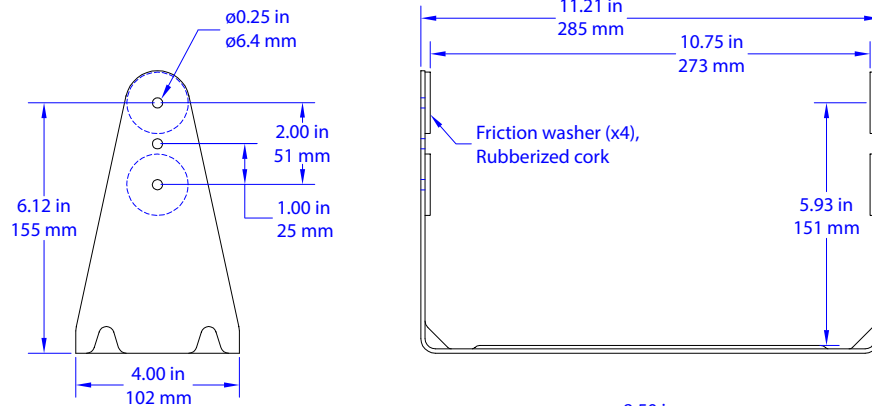
The specific patents that cover Crestron products are listed online at: patents.crestron.com.

Certain Crestron products contain open source software. For specific information, please visit www.crestron.com/opensource.

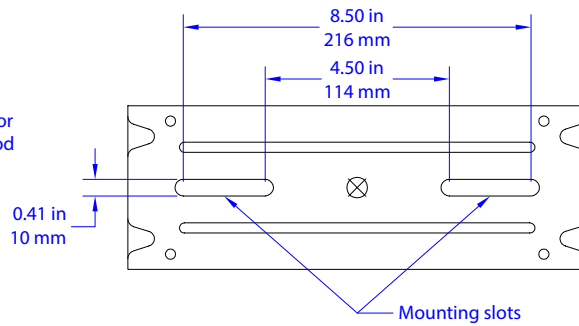
Crestron, the Crestron logo, and Vector are either trademarks or registered trademarks of Crestron Electronics, Inc. in the United States and/or other countries. Other trademarks, registered trademarks, and trade names may be used in this document to refer to either the entities claiming the marks and names or their products. Crestron disclaims any proprietary interest in the marks and names of others. Crestron is not responsible for errors in typography or photography. Specifications are subject to change without notice. ©2017 Crestron Electronics, Inc.



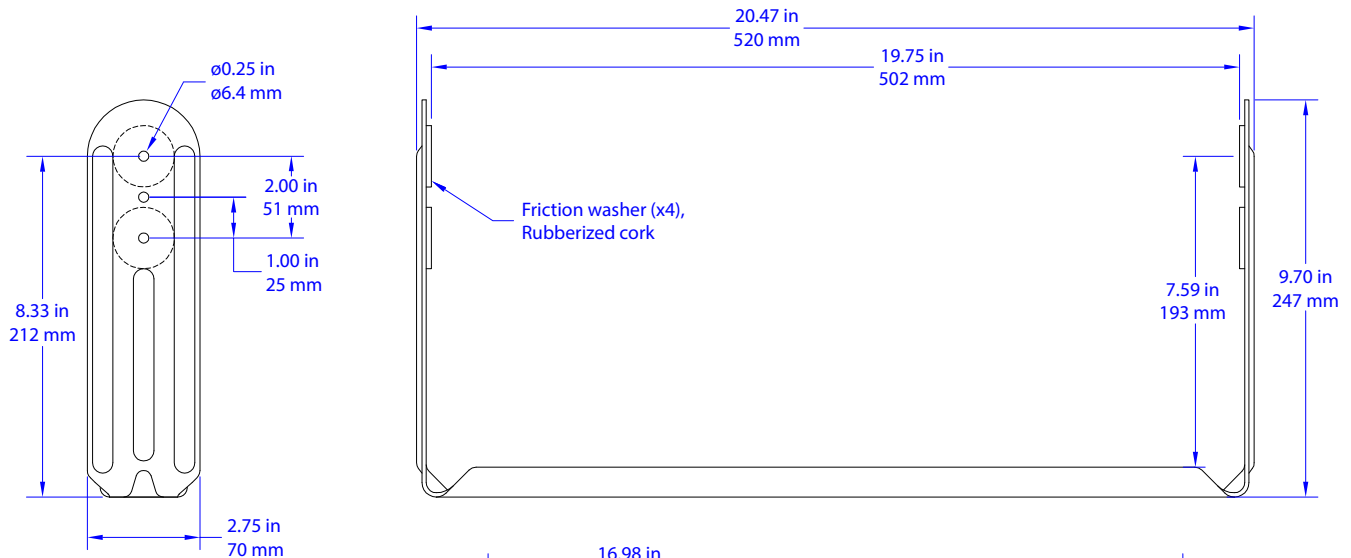
VECTOR CD1595 Yoke Brackets for Vector™ Performance Loudspeakers



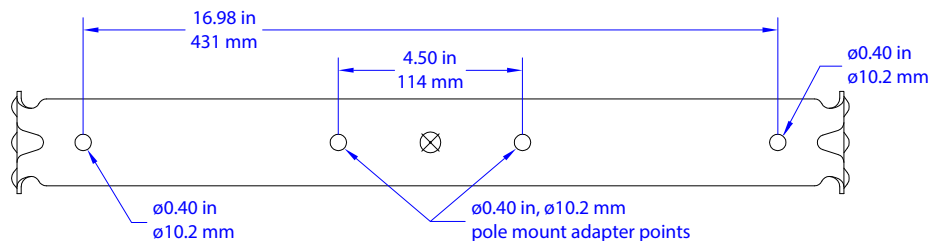
\otimes $\varnothing 0.51$ in, $\varnothing 12.9$ mm hole for user-supplied threaded rod or truss clamp



VECTOR YOKE6

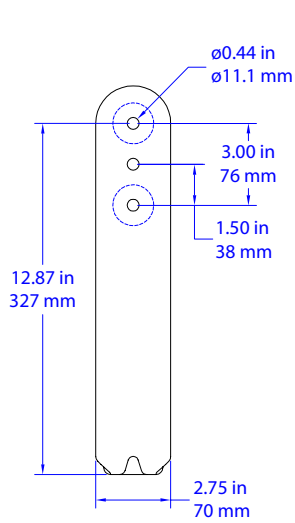


\otimes $\varnothing 0.51$ in, $\varnothing 12.9$ mm hole for user-supplied threaded rod or truss clamp

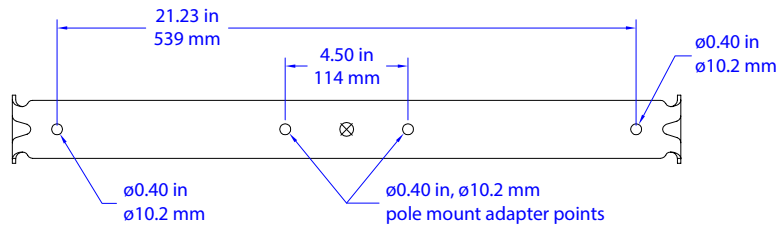
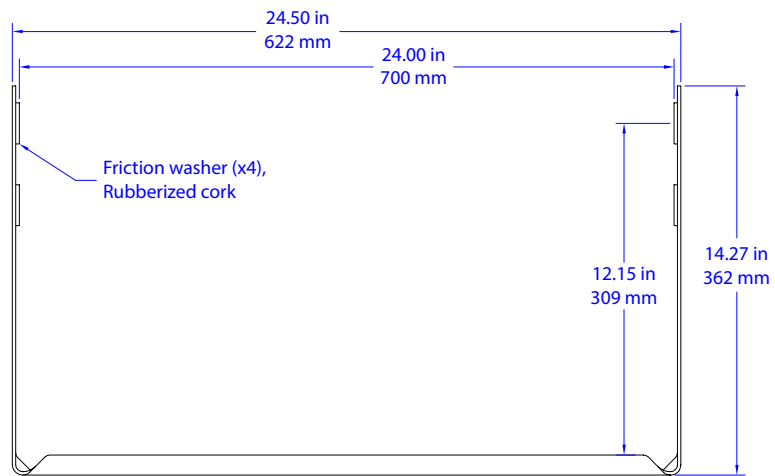


VECTOR YOKE8D

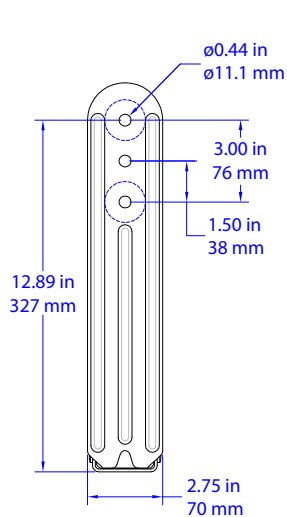
VECTOR CD1595 Yoke Brackets for Vector™ Performance Loudspeakers



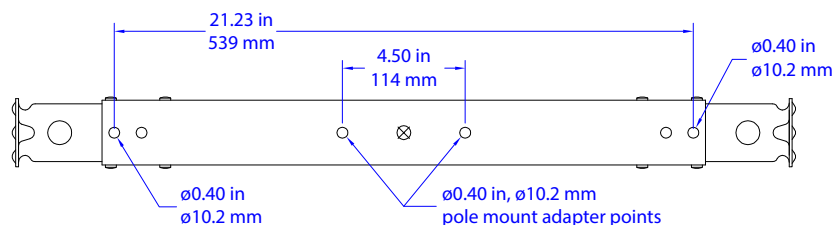
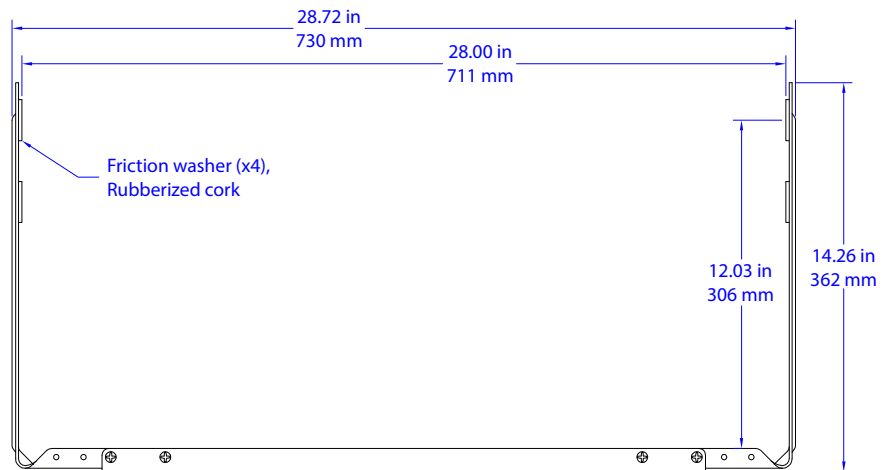
⊗ = \varnothing 0.51 in, \varnothing 12.9 mm hole for user-supplied threaded rod or truss clamp



VECTOR YOKE12

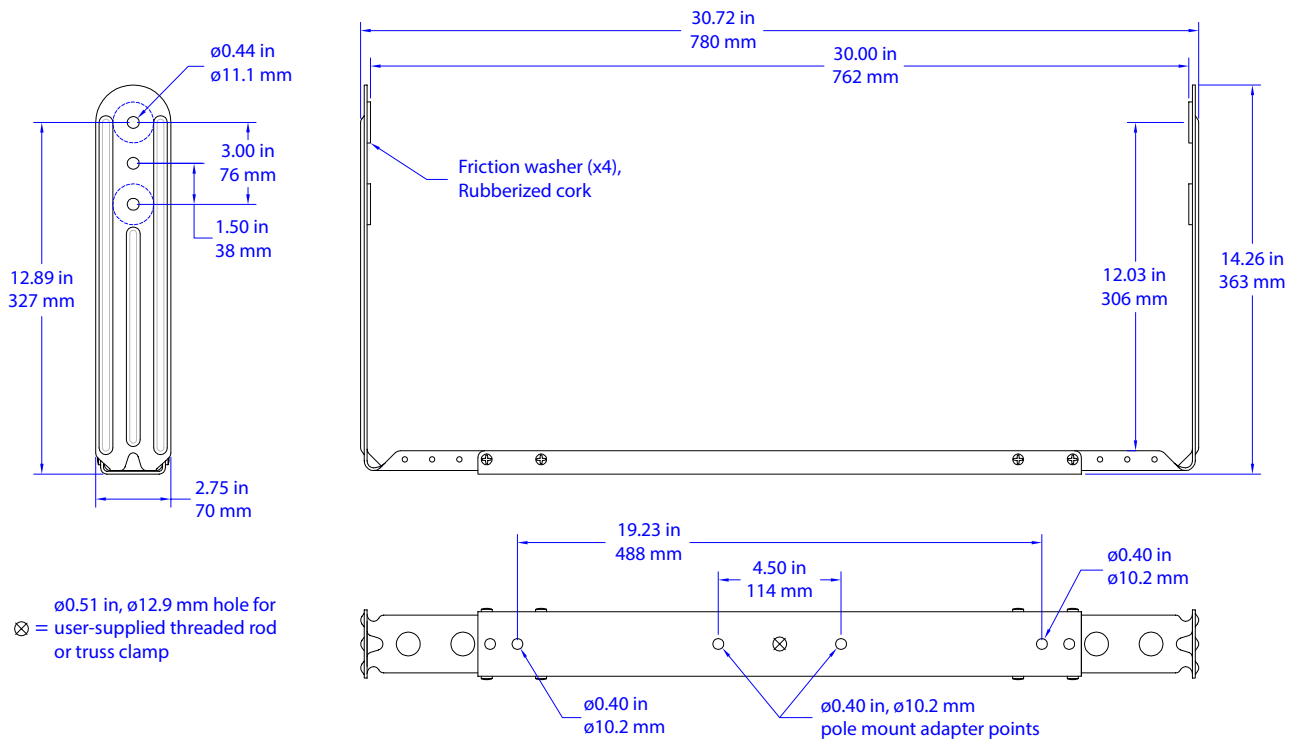


⊗ = \varnothing 0.51 in, \varnothing 12.9 mm hole for user-supplied threaded rod or truss clamp



VECTOR YOKE12D

VECTOR CD1595 Yoke Brackets for Vector™ Performance Loudspeakers



VECTOR YOKE15