

Wall Mount Back Box for TSW-70 Series

The Crestron® [TSW-UMB-70-BBI](#) is a recessed wall-mounted metal back box designed for use with the TSW-UMB-70 universal mounting bracket. The TSW-UMB-70-BBI permits a TSW-70 series touch screen to be installed in a concrete or masonry wall. Conduit knockouts are provided on the top, bottom, and sides of the back box.



In the Box

- 1 TSW-UMB-70-BBI, Wall Mount Back Box

Additional Items

- 2 Screw, 6-32 x 1/2 in., Phillips (2007240)



Install the TSW-UMB-70-BBI

To install the TSW-UMB-70-BBI:

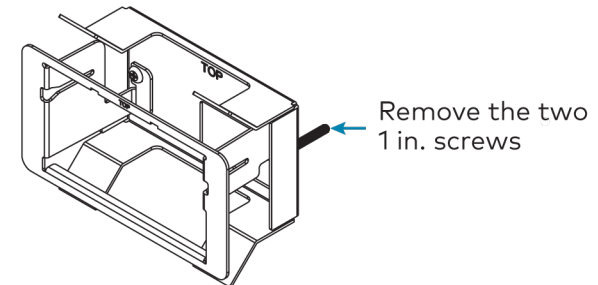
NOTES:

- For some installations, forced venting may be required.
- Knockout holes are intended for Class 2 wiring only and are 20 mm (13/16 in.) in diameter.

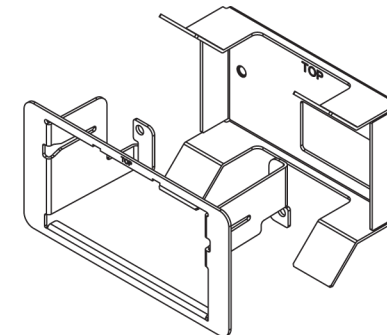
1. Separate the two halves of the TSW-UMB-70 assembly by removing the two 1 in. screws that hold the halves together.

NOTE: The TSW-UMB-70 is included with the TSW-570 and TSW-570P touch screens. For TSW-770 and TSW-1070 installations, the TSW-UMB-70 must be purchased separately.

TSW-UMB-70 Before Separation



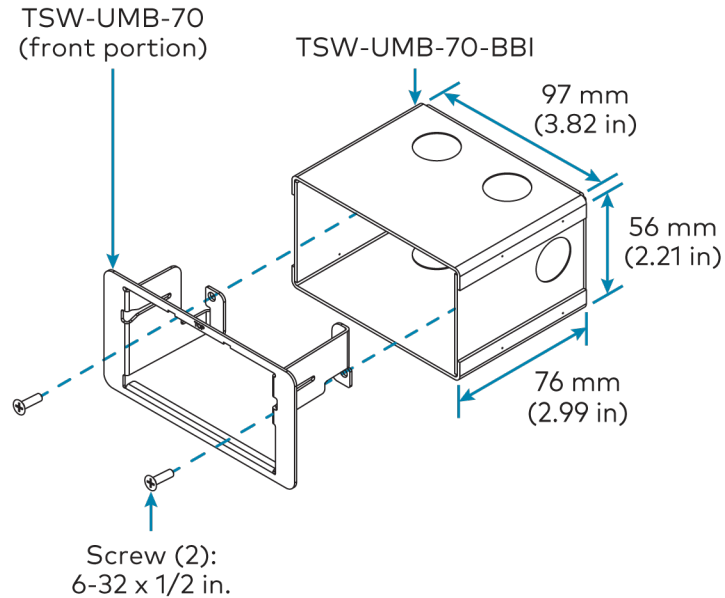
TSW-UMB-70 After Separation



Only the front portion of the TSW-UMB-70 is required for installation with the TSW-UMB-70-BBI. The rear portion may be discarded or retained for future use.

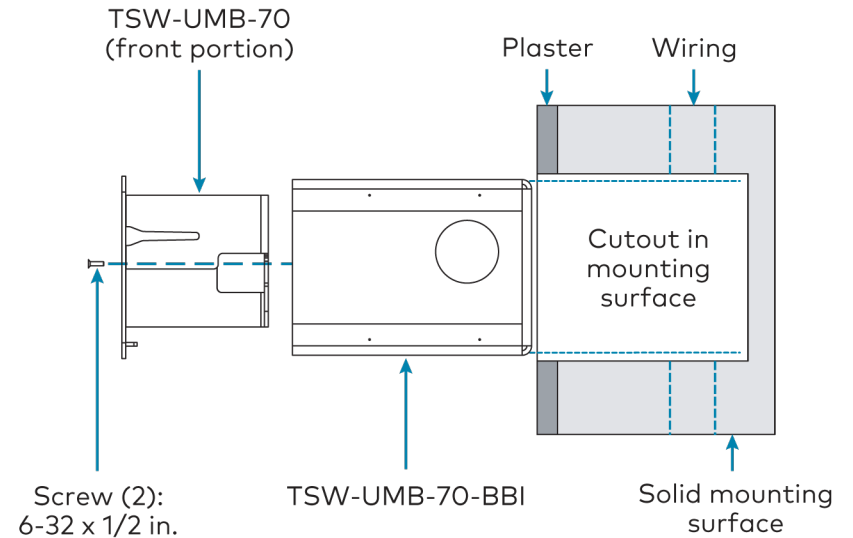
Wall Mount Back Box for TSW-70 Series

- Use the two included 6-32 x 1/2 in. screws to attach the front portion of the TSW-UMB-70 to the TSW-UMB-70-BBI.



- Remove the appropriate knockout(s) on the TSW-UMB-70-BBI for routing wiring to the touch screen.
- Route wiring through the knockout(s) and out through the front opening in the TSW-UMB-70.
- Use the dimensions shown in the illustration above or listed on the [product page](#) to create an appropriately sized cutout in the mounting surface. No minimum clearances are required.

- Mount the TSW-UMB-70-BBI into the cutout in the mounting surface as shown in the following illustration. Ensure the "TOP" text on both the TSW-UMB-70 and TSW-UMB-70-BBI is facing upward prior to installation.



The TSW-UMB-70-BBI can also be mounted vertically for use with the TSW-570P portrait touch screen.

- Rotate the product 90° to the right to determine the necessary cutout dimensions for portrait mounting. Refer to the image below step 2 for dimensions.
- Ensure that the the "TOP" text on both the TSW-UMB-70 and TSW-UMB-70-BBI is facing to the right, and then install the TSW-UMB-70-BBI into the cutout.

Wall Mount Back Box for TSW-70 Series



Visit the Product Page

Scan the QR code to visit the product page.

TSW-UMB-70-BBI



www.crestron.com/model/6511129

Additional Information

Original Instructions

The U.S. English version of this document is the original instructions. All other languages are a translation of the original instructions.

The product warranty can be found at www.crestron.com/warranty.

The specific patents that cover Crestron products are listed at www.crestron.com/legal/patents.

Certain Crestron products contain open source software. For specific information, visit www.crestron.com/opensource.

Crestron and the Crestron logo are either trademarks or registered trademarks of Crestron Electronics, Inc. in the United States and/or other countries. Other trademarks, registered trademarks, and trade names may be used in this document to refer to either the entities claiming the marks and names or their products. Crestron disclaims any proprietary interest in the marks and names of others. Crestron is not responsible for errors in typography or photography.

©2020 Crestron Electronics, Inc.

Doc. 8597A
(2055028)

02/24/20