



**Description**

The Crestron® CSA-ARCH3-BRKT-DUAL is a mounting system that allows two Crestron shades to be mounted on a wall, ceiling, pocket, or window jamb. Extrusions for concealing shades include square or curved fascia, top and back covers, and pockets. Accessories for creating blackout conditions, such as sill angles and side channels, are also available.

**Additional Resources**

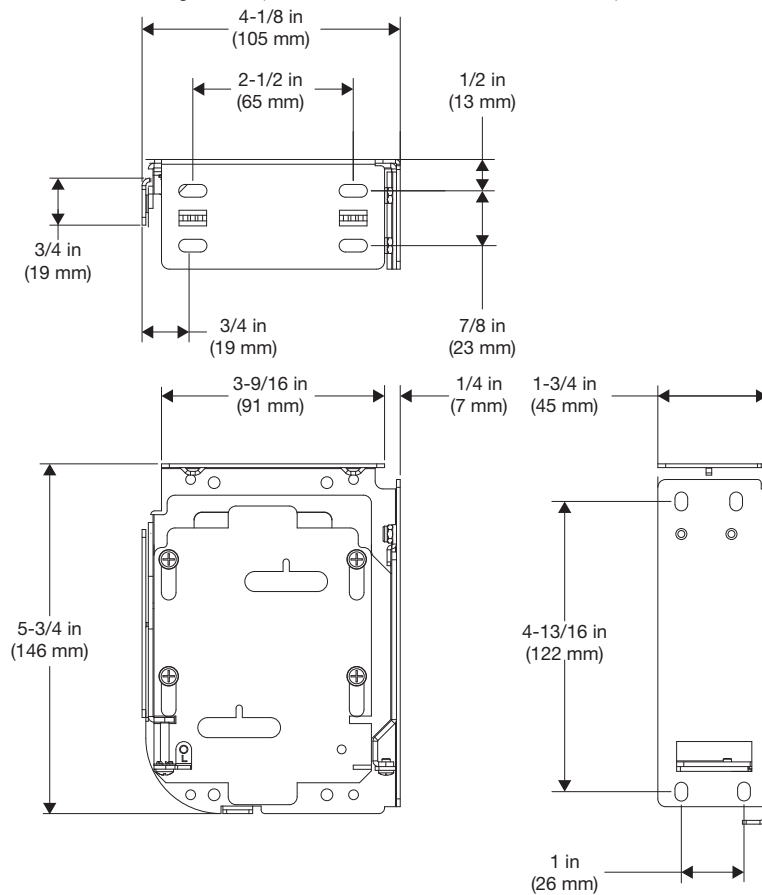
Visit the product page on the Crestron website ([www.crestron.com](http://www.crestron.com)) for additional information and the latest firmware updates. Use a QR reader application on your mobile device to scan the QR image.



**Install the Brackets**

The CSA-ARCH3-BRKT-DUAL is mounted to the wall using the two supplied brackets. The end caps (optional) and roller shade assembly then attach to the brackets. Refer to the following illustrations for bracket dimensions.

Dimensions: Mounting Bracket (Dimensions are the same for both brackets.)



**CAUTION:** There is risk of personal injury and equipment damage if the shade or associated parts fall during installation. Use care when installing. Use proper mounting hardware (e.g., screws or bolts) for the mounting surface when securing the brackets to the surface.

**NOTE:** The screws provided with the mounting brackets are intended for use on walls (or jambs) with wood or metal blocking. These screws should not be used for hollow drywall or masonry installations. It is the responsibility of the installer to ensure that the mounting method used is secure.

Install the brackets.

1. Check for a proper fit by holding the roller shade assembly in the approximate mounting location. If using a fascia, use the fascia to measure the proper distance between mounting brackets. The brackets should be mounted flush with the end of the fascia.
2. Mark the locations of the brackets and ensure that the mounting points are level and on the same plane. Use a laser level or snap a chalk line to mark the locations of the brackets. The brackets should be spaced according to the specifications on the order form.

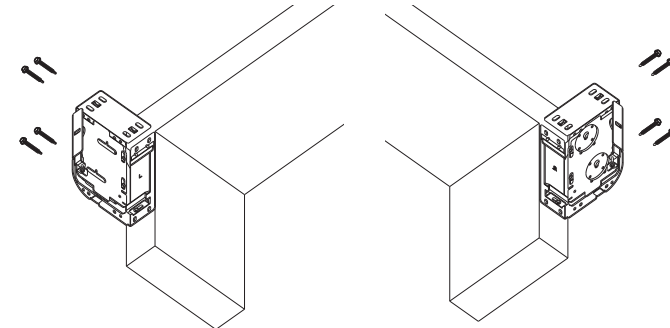
**NOTE:** End caps are used only when the shade is outside mounted and fascia is used. If inside mounted, end caps are not required unless the shade brackets protrude from the window. Adding end caps for an inside mount increases the light gap.

3. If using end caps, attach them to the mounting brackets according to their stamped directions. The end caps snap into place.
4. Fasten the brackets to the outside of the window frame (outside mount) or the inside of the window frame (inside mount) hardware that is appropriate for the mounting surface. Make sure the brackets are level and on a flat surface.

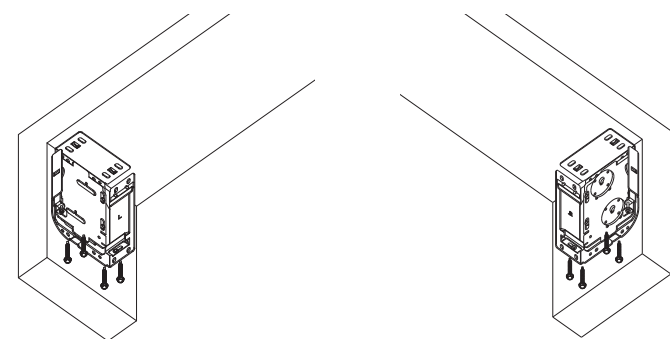
- The idler bracket mounts on the right-side of the window opening.
- The motor bracket mounts on the left-side of the window opening.

**NOTE:** The stamped L and R should face the wall and window.

Mounting the Brackets: Outside Mount



Mounting the Brackets: Inside Mount



**NOTE:** For inside mounts, mounting brackets can be screwed into the window jamb (as pictured above) or into the window header.

**NOTE:** When using a fascia, align the brackets with the width of the fascia before screwing them to the header.

**Mount the Roller Shade Assembly**

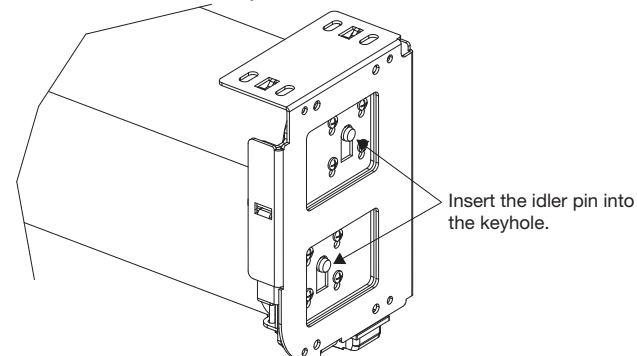
**CAUTION:** There is risk of personal injury and equipment damage if the shade or associated parts fall during installation. Use care when installing. Use proper mounting hardware (e.g., screws or bolts) for the mounting surface when securing the brackets to the surface.

**NOTE:** Install the top shade nearest the window first, and then repeat this procedure for the lower shade.

Once the mounting brackets are installed, the roller shade assembly should be installed.

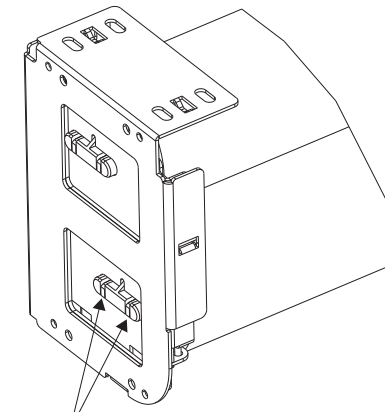
1. Insert the idler pin into the top of the keyhole on the right bracket, and slide it down into the keyhole. The idler pin sits on the vertical adjustment screw.

Insert the Idler Pin into the Keyhole.



2. Raise the motor end of the roller shade assembly to the motor bracket.
3. Push the roller shade assembly toward the idler bracket to compress the spring on the idler pin, and then align the tab on the motor assembly with the hole in the motor bracket.
4. Push the tab on the motor assembly into the hole in the motor bracket. When the shade is properly seated, the two clips spring down to secure the motor to the bracket. Ensure the shade is properly mounted before letting go.

Secure the Motor to the Motor Bracket.

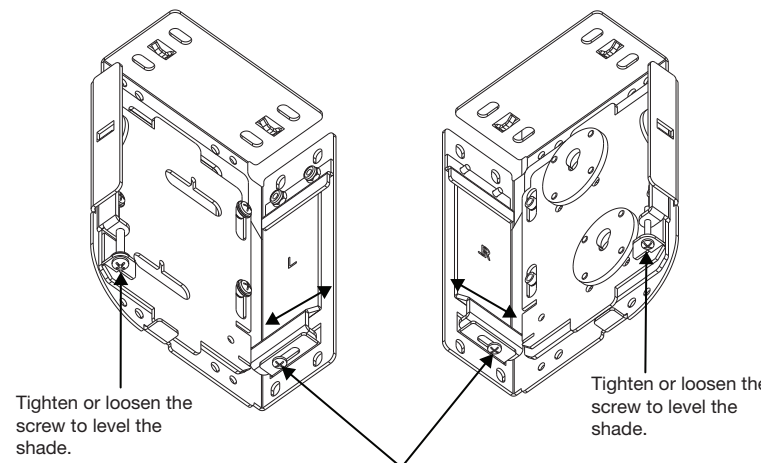


Plastic clips lock the motor into its bracket when the motor is fully inserted. Pull the motor gently to the right to ensure that the motor is securely locked into place.

**Adjust the Roller Shade Assembly**

**WARNING:** Care has been taken to ensure that the shade is properly balanced. Prior to initial operation, please confirm that the brackets have been adjusted so that the shade hangs level and plumb. Upon startup, run the shade all the way down and check for plumb. Observe the shade closely as it rolls up. If the shade begins to telescope, stop immediately and take the appropriate action to ensure the shade tracks properly. To prevent damage to the fabric from telescoping, do not leave the shade unattended during the first few cycles of operation. Failure to follow these instructions may result in damage to the edge of the fabric, which is not covered by the warranty.

Once the roller shade assembly is installed, adjustments can be made to level the shade and center it in the window opening.



Tighten or loosen the screw to level the shade.

Loosen the screws, adjust the shade so that it is centered in the opening, and then tighten the screws to lock the shade into place.

Situations that may cause telescoping:

- The shade is not perfectly level.
- The shade may bump into objects while traveling up or down.
- The HVAC ductwork is blowing on the shade, or air is coming in through a window.
- A foreign object is stuck to the shade fabric (e.g., tape, bugs, dust, etc.).

Ways to prevent telescoping:

- Use the leveling features built into the shade brackets to ensure the shade is level. If the bracket adjustment is not enough to compensate, use a shim to level the system.
- Ensure no obstructions exist near the window area that the shade could bump into while traveling (e.g., latches and cranks).
- Direct HVAC airflow away from the shade, and ensure that windows are closed while operating the shade.
- Lower the shade all the way down to the bare tube (the shade will need to be placed into Limit Setup mode to allow the shade to travel below its lower limit). Inspect the front and back of the shade to ensure that no foreign objects are stuck to the shade fabric.

If the shade is still telescoping, it can be re-shimmed by applying a small (1" x 1") piece of tape to the end of the tube that the fabric should move toward. If the fabric is telescoping to the left, place a piece of tape on the right side of the tube. If the fabric is telescoping to the right, place it on the left side. Ensure that the tape is placed on the bare tube for best results. The shade must be rolled all the way down past its lower limit. To do this, place the shade motor into Limit Setup mode.

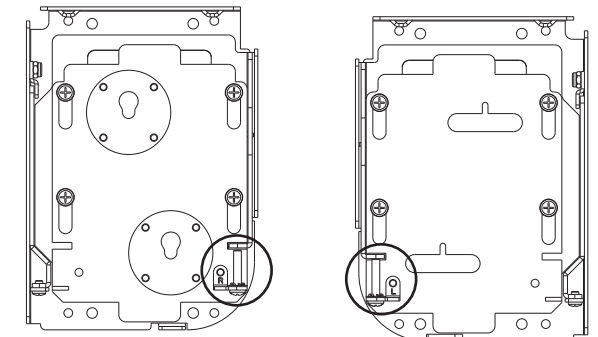
**Swap the Idler and Motor Ends**

The roller shade assembly can be mounted so that the idler and motor ends are located in the ends of the tube opposite where they were when received from the factory (i.e., the idler end is on the left and the motor end is on the right). Swapping the idler and motor ends allows the roller shade to still roll off of the proper side of the tube. This might be necessary if the control or power wires were run to the wrong side of the window. If this is necessary, the idler mount in the right bracket and motor mount in the left bracket will need to be swapped. The left and right mounting brackets remain on their intended side.

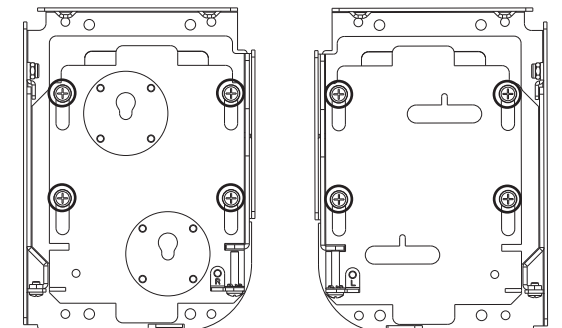
**Swap the Bracket Hardware**

Swapping the hardware requires a Phillips screwdriver.

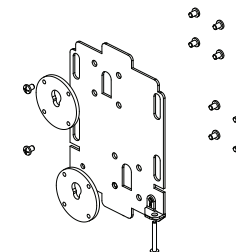
1. Fully loosen the vertical adjustment screws on the L and R brackets until the screw separates from the backing plate. The screw will stay secured to the mounting plate.



2. Remove the four screws and washers that are circled below from the L and R brackets. Retain them for reinstallation.

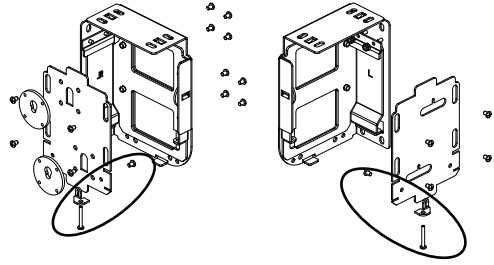


3. Remove the keyhole mounting plate from the L bracket and the motor mounting plate from the R bracket.
4. Remove the eight screws from the back of the keyhole mounting plate that secure the two keyholes to the plate. Retain all parts for reinstallation.

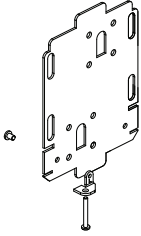


- Remove the vertical adjustment screw holder from the L and R brackets by removing the screw on the back of the mounting plate. Retain for reassembly.

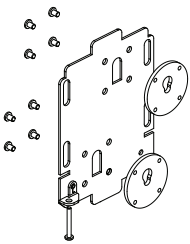
**NOTE:** The vertical adjustment screw holders are stamped L and R and will remain with the L and R brackets.



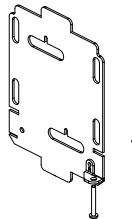
- Hold the keyhole mounting plate facing you. The top keyhole should be on the right.
- Secure the vertical adjustment screw holder (stamped L) to the left side of the keyhole mounting plate by inserting the screw through the rear of the keyhole mounting plate. Ensure the tab on the vertical adjustment screw holder fits in the slot in the keyhole mounting plate. Refer to the illustration below.



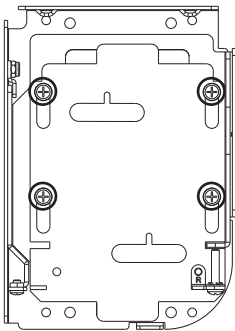
- Place the keyholes on the front of the plate and secure them with screws through the back of the plate. The large end of the keyhole must be on top.



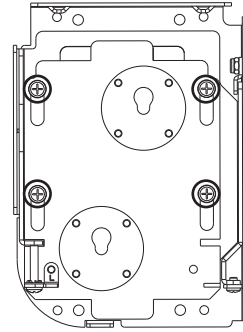
- Hold the motor mounting plate facing you. The top motor mount should be on the left.
- Secure the vertical adjustment screw holder (stamped R) to the right side of the motor mounting plate by inserting the screw through the rear of the motor mounting plate. Ensure the tab on the vertical adjustment screw holder fits in the slot in the motor mounting plate. Refer to the illustration below.



- Place the motor mounting plate into the R mounting bracket and install the four screws with washers that were previously removed. Screws need to be only hand tight.



- Tighten the vertical adjustment screw so that it engages the bracket.
- Place the keyhole mounting plate into the L mounting bracket, and install the four screws with washers that were previously removed. Screws need to be only hand tight.



- Tighten the vertical adjustment screw so that it engages the bracket.

### Swap the Roller Shade Idler and Motor

If the idler bracket and motor bracket have been swapped, the motor and idler must be removed from the tube and reinstalled in the opposite ends. This allows the fabric to roll off of the tube in its intended manner.

Swap the idler and motor ends of the roller shade.

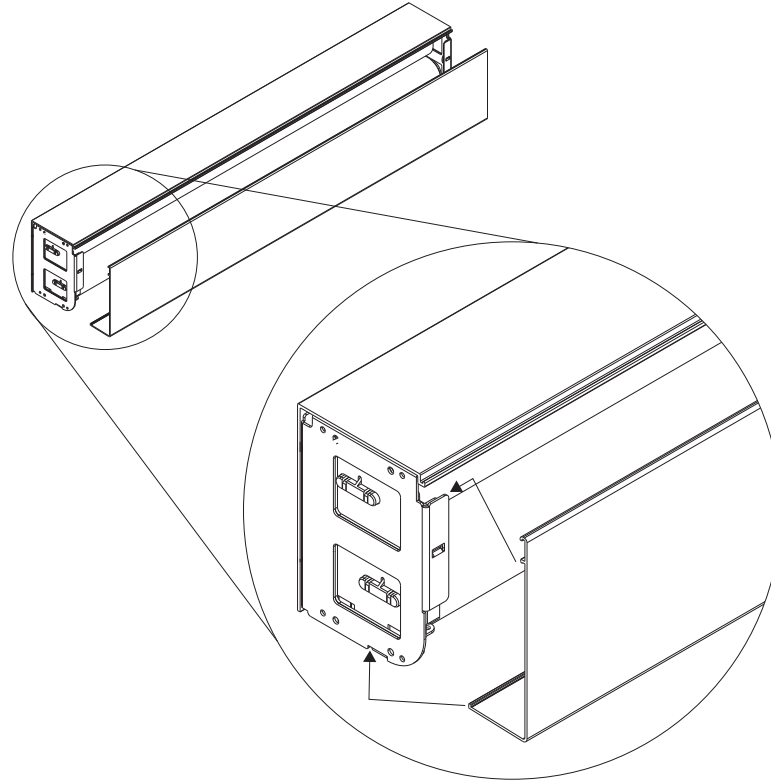
- Remove the motor by pulling on the motor head.
- Use the idler removal tool to loosen the idler by rotating the idler counterclockwise. Pull the idler out of the tube.
- Insert the motor into the tube end opposite from where it was removed.
- Insert the idler into the tube end opposite from where it was removed.
- Use the idler removal tool to tighten the idler; rotate the idler clockwise two turns, and then tighten until snug. Pull on the idler to confirm it is properly secured.

### Mount the Fascia

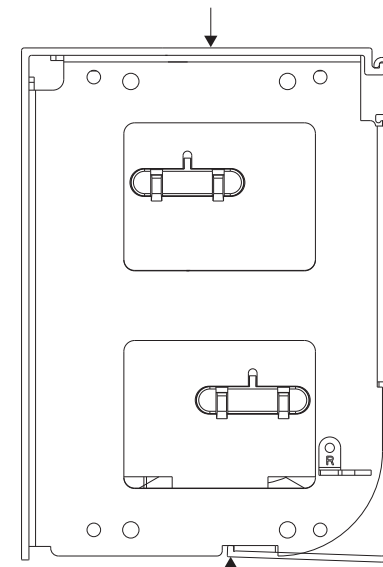
Once the assembly is installed and programmed, the fascia can be mounted.

Align the fascia with the mounting brackets and then press the fascia into place. The fascia assembles into place by snapping onto the tabs on the bracket. Place the top of the fascia on the top of the bracket first, and then press the bottom of the fascia into place on the bottom of the bracket.

To remove the fascia, pull the bottom of the fascia down to clear the bottom tab on the bracket. Then, pull the fascia away from the window and upward to release the top of the fascia.



Top and Back Cover (Optional)



**NOTE:** If the top and back cover is used, the fascia rests in the lip of the top and back cover.

The fascia snaps to the top of the bracket.

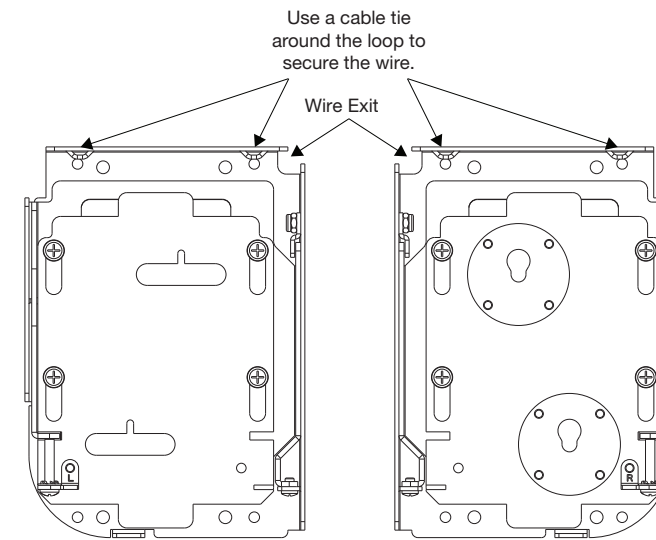
The fascia snaps to the bottom of the bracket.

### Wiring

When selecting the Cresnet® communications cable, do not use CRESNET-HP cable with the small connector. When using CRESNET-HP cable, replace the connector on the motor pigtail with the larger connector that is supplied with the shade.

All shades should be home run from the CSA-PWS40 or CSA-PWS-10S-HUB (both sold separately).

The left and right brackets provide a cutout in the upper corner, which allows wiring to be easily run to the motor.

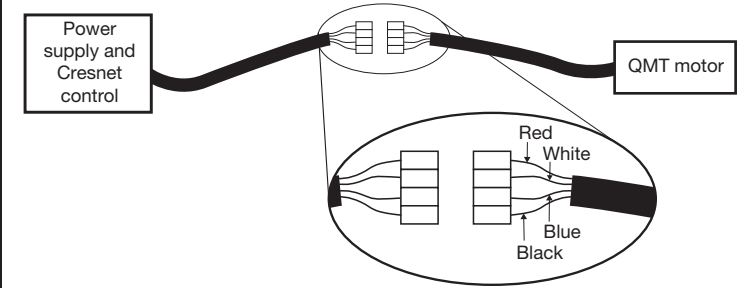


Use a cable tie around the loop to secure the wire.

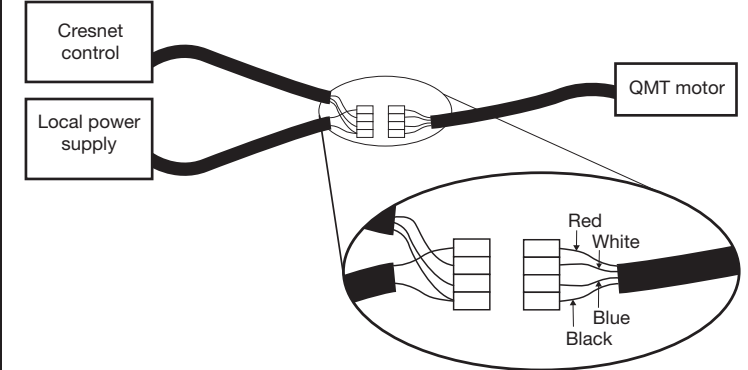
Wire Exit

Refer to the illustration that follows for wiring details.

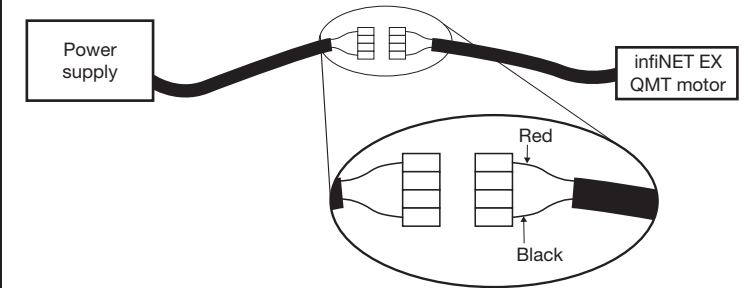
*Cresnet QMT® Shade Motor with the Power and Control Coming from the Same Source*



*Cresnet QMT Shade Motor with the Power and Control Coming from Separate Sources*



*Wire the infiNET EX® Wireless QMT Shade Motor.*



### Programming

Before the roller shade can be operated, program and set up the device. For information on programming and setup of this device, refer to the Digital QMT Shade Motor Programming Guide (Doc. 7437) at [www.crestron.com/manuals](http://www.crestron.com/manuals).

As of the date of manufacture, the product has been tested and found to comply with specifications for CE marking.



The product warranty can be found at [www.crestron.com/warranty](http://www.crestron.com/warranty).

The specific patents that cover Crestron products are listed at [patents.crestron.com](http://patents.crestron.com).

Certain Crestron products contain open source software. For specific information, please visit [www.crestron.com/opensource](http://www.crestron.com/opensource).

Crestron, the Crestron logo, and QMT are either trademarks or registered trademarks of Crestron

Electronics, Inc. in the United States and/or other countries. Other trademarks, registered trademarks, and trade names may be used in this document to refer to either the entities claiming the marks and names or their products. Crestron disclaims any proprietary interest in the marks and names of others. Crestron is not responsible for errors in typography or photography.

This document was written by the Technical Publications department at Crestron.

©2017 Crestron Electronics, Inc.

**Crestron Electronics, Inc.**  
15 Volvo Drive Rockleigh, NJ 07647  
Tel: 888.CRESTRON  
Fax: 201.767.7576  
[www.crestron.com](http://www.crestron.com)

**Installation Guide - DOC. 7734C**

(2042809)

05.17

Specifications subject to change without notice.