



Description

The Crestron® ZUMMESH-CCO is a contact closure output that adds a low-voltage SPDT form C contact closure to a Züm™ space to enable integration with an HVAC system or other equipment.

The contact closure output is activated or deactivated by the occupancy sensor (ZUMMESH-PIR-OCCUPANCY-BATT, not included) or vacancy sensors (ZUMMESH-PIR-VACANCY-BATT, not included) in the space. When the space is occupied, the relay engages. When the space is vacant, the relay disengages.

NOTE: Vacancy sensors activate the ZUMMESH-CCO when the space is occupied.

The ZUMMESH-CCO is a small module that snaps onto a Züm J-Box Load Controller or Züm J-Box Accessory Power Supply (ZUMMESH-JBOX or ZUMMESH-JBOX-PSU; both not included). The Züm J-Box device provides power and wireless communications for the ZUMMESH-CCO.

The specifications for the ZUMMESH-CCO are listed below.

SPECIFICATION	DETAILS
Power	3.3 Vdc, provided by a Züm J-Box Load Controller or Züm J-Box Accessory Power Supply (not included)
Relay Rating	Low-voltage SPDT form C contact closure; Rated 1 A @ 30 Vdc or 24 Vac; For use with Class 2 wiring only
Connector (N.O., COM, N.C.)	3-pin, 3.5 mm detachable terminal block
Status LED	(1) Green LED, indicates contact closure status: Illuminated: Relay activated Off: Relay deactivated
Dimensions	
Height	1.66 in (42 mm)
Width	1.94 in (49 mm)
Depth	1.01 in (26 mm) Projects 0.75 in (18 mm) when attached to a J-box
Environmental	
Temperature	32° to 104 °F (0° to 40 °C)
Humidity	10% to 90% RH (noncondensing)

Züm Overview

A Züm space consists of one space, such as a board room or conference room, that is equipped with Züm mesh devices. The Züm mesh devices (i.e., dimmers, switches, keypads, and sensors) in the space provide control and communicate directly with each other without the need for a centralized gateway or processor.

To expand the functionality of the Züm space, a ZUMMESH-NETBRIDGE (not included) can be added which provides centralized control and monitoring from a Crestron control system (not included).

NOTE: The ZUMMESH-NETBRIDGE requires a compatible J-box device (not included) to provide power.

Additional Resources

Visit the product page on the Crestron website (www.crestron.com) for additional information and the latest firmware updates. Use a QR reader application on your mobile device to scan the QR image.



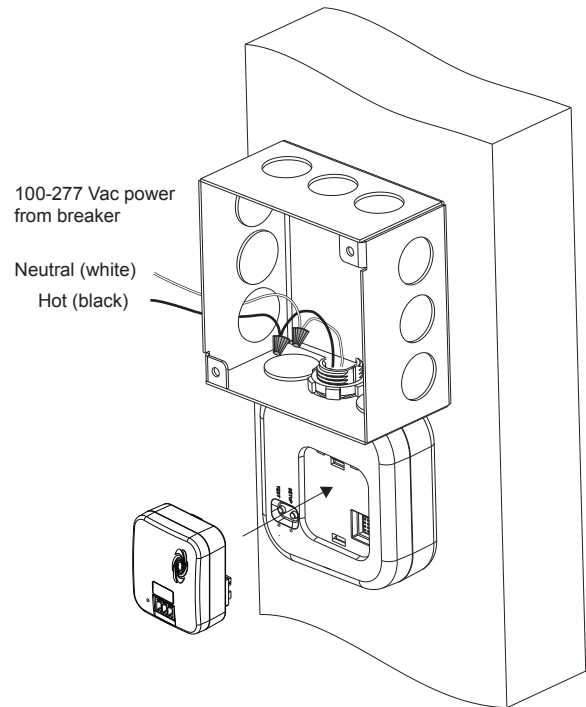
Installation

Mount the ZUMMESH-CCO to any ZUMMESH-JBOX device.

NOTE: Install and use this product in accordance with appropriate electrical codes and regulations.

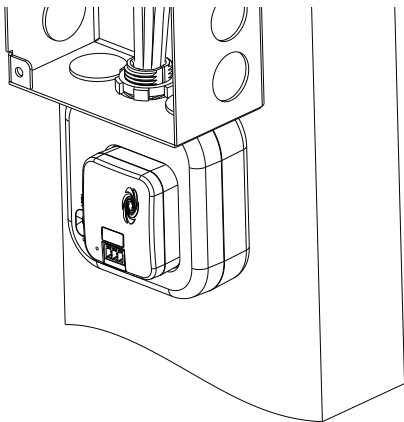
NOTE: This meets the requirements of UL® standard 2043 for installation in an environmental air-handling (plenum) space.

1. Use a flat-head screwdriver to remove the cover on the ZUMMESH-JBOX device. Insert the flat-head screwdriver into the slot next to the cover and pry up to remove the cover.
2. Align the ports on the ZUMMESH-CCO and the ZUMMESH-JBOX device, and then insert the network bridge into the ZUMMESH-JBOX device. The network bridge snaps into place.



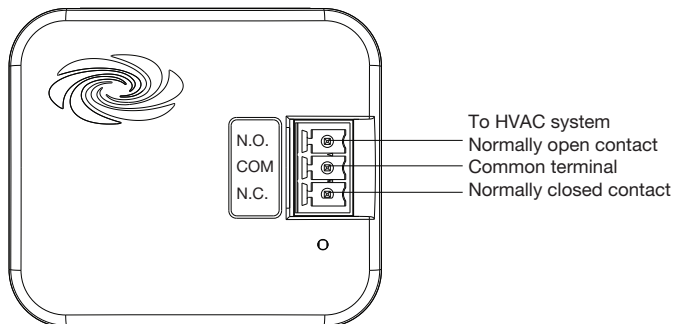
Remove the ZUMMESH-CCO.

1. Place your thumb on the side of the ZUMMESH-CCO that is nearest the J-box.
2. Press the ZUMMESH-CCO away from the J-box. While pressing on the side of the ZUMMESH-CCO, slightly lift your thumb up. The ZUMMESH-CCO should easily detach from the J-box device.



Wiring

Connect the ZUMMESH-CCO to the HVAC system.



NOTE: When making connections from the ZUMMESH-CCO to the HVAC system, use Class 2 wiring only.

This product is Listed to applicable UL® Standards and requirements tested by Underwriters Laboratories Inc.

Ce produit est homologué selon les normes et les exigences UL applicables par Underwriters Laboratories Inc.



As of the date of manufacture, the product has been tested and found to comply with specifications for CE marking.



Federal Communications Commission (FCC) Compliance Statement

This device complies with part 15 of the FCC Rules. Operation is subject to the following two conditions: (1) This device may not cause harmful interference, and (2) this device must accept any interference received, including interference that may cause undesired operation.

CAUTION: Changes or modifications not expressly approved by the manufacturer responsible for compliance could void the user's authority to operate the equipment.

NOTE: This equipment has been tested and found to comply with the limits for a Class B digital device, pursuant to part 15 of the FCC Rules. These limits are designed to provide reasonable protection against harmful interference when the equipment is operated in a commercial environment. This equipment generates, uses, and can radiate radio frequency energy and, if not installed and used in accordance with the instruction manual, may cause harmful interference to radio communications. Operation of this equipment in a residential area is likely to cause harmful interference in which case the user will be required to correct the interference at his own expense.

Industry Canada (IC) Compliance Statement

CAN ICES-3(B)/NMB-3(B)

The product warranty can be found at www.crestron.com/warranty.

The specific patents that cover Crestron products are listed at www.crestron.com/legal/patents.

Certain Crestron products contain open source software. For specific information, please visit www.crestron.com/opensource.

Crestron, the Crestron logo, and Züm are either trademarks or registered trademarks of Crestron Electronics, Inc. in the United States and/or other countries. UL and the UL logo are either trademarks or registered trademarks of Underwriters Laboratories, Inc. in the United States and/or other countries. Other trademarks, registered trademarks, and trade names may be used in this document to refer to either the entities claiming the marks and names or their products. Crestron disclaims any proprietary interest in the marks and names of others. Crestron is not responsible for errors in typography or photography.

This document was written by the Technical Publications department at Crestron.

©2018 Crestron Electronics, Inc.

Crestron Electronics, Inc.
15 Volvo Drive, Rockleigh, NJ 07647
Tel: 888.CRESTRON
Fax: 201.767.7576
www.crestron.com

Installation Guide - DOC. 7935B
(2048521)
01.18

Specifications subject to change without notice.