

TSD-2220

21.5" HD Touch Screen Display

The Crestron® TSD-2220 is a 21.5" (546 mm) HD touch screen display that can be used with the Crestron DGE-100 or DM-DGE-200-C digital graphic engine (each sold separately) to provide a powerful touch screen control solution. The TSD-2220 also can be used as a high-definition display for a television or a computer.

NOTE: For more information about installing and configuring the DGE-100 or DM-DGE-200-C, refer to the DGE-100/DM-DGE-200-C DO Guide (Doc. 7695) and DGE-100/DM-DGE-200-C Supplemental Guide (Doc. 7696) at www.crestron.com/manuals.

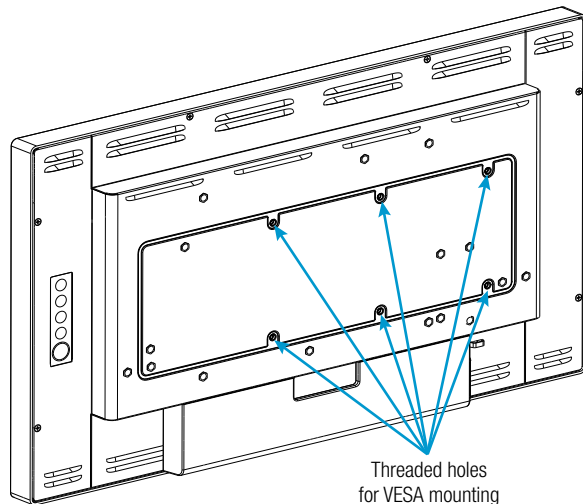
DO Install the TSD-2220

The TSD-2220 can be installed using a variety of VESA compliant mounting accessories, including wall-mount brackets, desk stands, and articulating arms. The TSD-2220 is compatible with VESA 100 x 100 mm and VESA 200 x 100 mm brackets (not included).

CAUTION: Ensure that the chosen VESA mount is rated for the size and weight of the TSD-2220. Refer to the table of specifications on the product webpage for more information.

To install the TSD-2220 using a VESA mount, align the threaded holes in the rear of the TSD-2220 with the appropriate holes in the mounting bracket. (Refer to the illustration below.) The TSD-2220 supports 100 x 100 mm center mounting, 100 x 100 mm edge mounting, and 200 x 100 mm mounting.

- For 100 x 100 mm center mounting, use the four center threaded holes.
- For 100 x 100 mm edge mounting, use the four rightmost threaded holes.
- For 200 x 100 mm mounting, use all six threaded holes.



DO Check the Box

QTY	PRODUCT	COLOR	PART NUM.
1	Cable, USB 2.0, A - B, 6' (1.83 m)		2048150
1	Power Cord, 6' 7" (2 m)		2025416
1	Power Pack, 12 Vdc 4.16 A, 100-240 Vac		2048149
1	Screw, M3 x 6 mm, Pan Head, Phillips		2013272

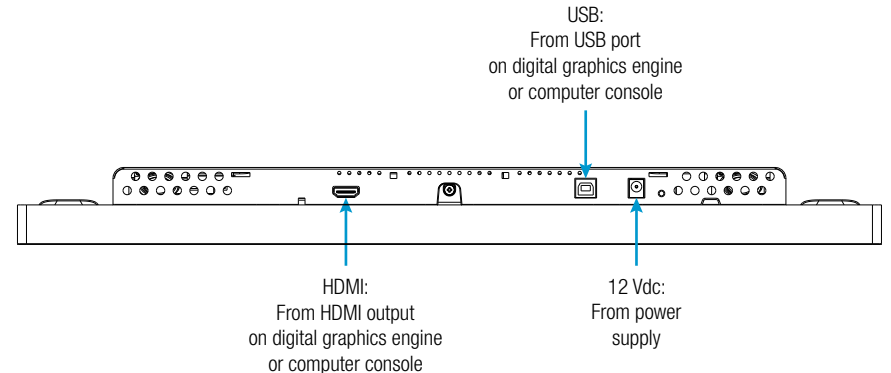
Once the TSD-2220 is aligned with the mounting bracket, use a screwdriver and the appropriate number of M4 mounting screws to attach the TSD-2220 to the bracket.

DO Connect the Device

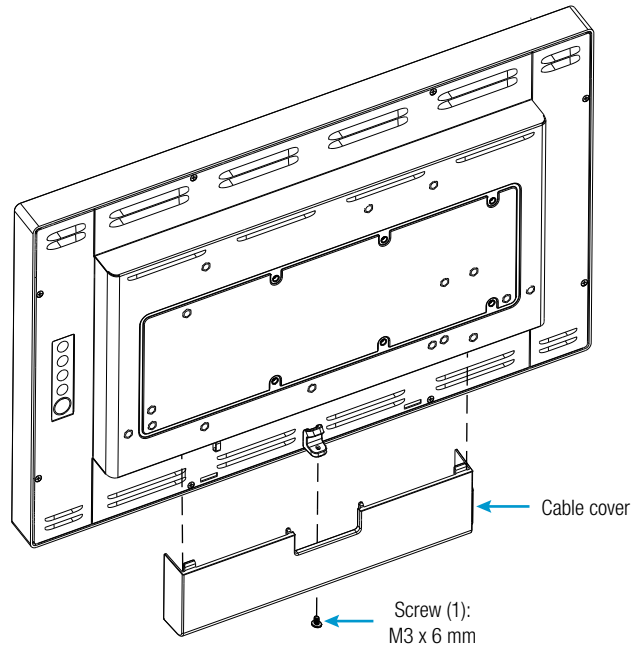
1. Locate the cable cover on the rear of the TSD-2220. Remove the cover by gently pushing in the two tabs that secure the cover to the touch screen until the cover is disengaged.
2. Make any necessary connections to the TSD-2220 as shown in the following illustration.

NOTE: Power should be supplied to the touch screen using only the included 12 Vdc power pack. Apply power after all connections have been made.

NOTE: The HDMI® input requires an appropriate adapter or an interface cable to accommodate a DVI signal. Crestron CBL-HD-DVI cables are sold separately.



3. Reattach the cable cover by aligning the tabs on the cover with their respective slots on the rear of the TSD-2220, and then gently push the cover upward until the tabs snap into place. Route all cables through the gap in the top of the cable cover.
4. To secure the cable cover to the TSD-2220, use a Phillips screwdriver to attach the included M3 x 6 mm screw to the TSD-2220 as shown in the following illustration.



DO Learn More

Visit the website for additional information and the latest firmware updates. To learn more about this product, use a QR reader application on your mobile device to scan the QR image.

Crestron Electronics
15 Volvo Drive, Rockleigh, NJ 07647
888.CRESTRON | www.crestron.com



As of the date of manufacture, the product has been tested and found to comply with specifications for CE marking.

Federal Communications Commission (FCC) Compliance Statement

This device complies with part 15 of the FCC Rules. Operation is subject to the following two conditions:

(1) This device may not cause harmful interference, and (2) this device must accept any interference received, including interference that may cause undesired operation.

CAUTION: Changes or modifications not expressly approved by the manufacturer responsible for compliance could void the user's authority to operate the equipment.

NOTE: This equipment has been tested and found to comply with the limits for a Class B digital device, pursuant to part 15 of the FCC Rules. These limits are designed to provide reasonable protection against harmful interference in a residential installation. This equipment generates, uses and can radiate radio frequency energy and, if not installed and used in accordance with the instructions, may cause harmful interference to radio communications. However, there is no guarantee that interference will not occur in a particular installation.

If this equipment does cause harmful interference to radio or television reception, which can be determined by turning the equipment off and on, the user is encouraged to try to correct the interference by one or more of the following measures:

- Reorient or relocate the receiving antenna.
- Increase the separation between the equipment and receiver.
- Connect the equipment into an outlet on a circuit different from that to which the receiver is connected.
- Consult the dealer or an experienced radio/TV technician for help.

Industry Canada (IC) Compliance Statement

CAN ICES-3(B)/NMB-3(B)

Electrical Connection:

"This product must be connected to an earthed mains socket-outlet."

- Finland: "Laitte on liitettävä suojamaadoituskoskettimilla varustettuun pistorasiaan."
- Norway: "Apparatet må tilkoples jordet stikkontakt."
- Sweden: "Apparaten skall anslutas till jordat uttag."

The specific patents that cover Crestron products are listed at <http://www.crestron.com/legal/patents>.

The product warranty can be found at www.crestron.com/warranty.

Certain Crestron products contain open source software. For specific information, please visit www.crestron.com/opensource.

Crestron and the Crestron logo are either trademarks or registered trademarks of Crestron Electronics, Inc. in the United States and/or other countries. HDMI is either a trademark or a registered trademark of HDMI Licensing, LLC in the United States and/or other countries. Other trademarks, registered trademarks, and trade names may be used in this document to refer to either the entities claiming the marks and names or their products. Crestron disclaims any proprietary interest in the marks and names of others. Crestron is not responsible for errors in typography or photography.

This document was written by the Technical Publications department at Crestron.

©2017 Crestron Electronics, Inc.